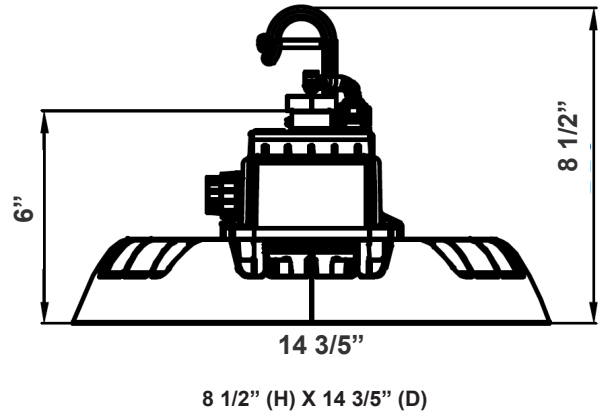


# UHX SERIES INDUSTRIAL LIGHTING

UHX-230W-MP-50K-480V  
480 UFO HIGHBAY



Customer Name: \_\_\_\_\_  
Project Name: \_\_\_\_\_  
Note: \_\_\_\_\_ | Type: \_\_\_\_\_



In a aluminium shell designed for heat dissipation, UHX is IP65 water resistant rated and ideal for general site lighting, alleys, loading docks, doorways, pathways, parking areas, warehouses and storage buildings.

## Features

- Waterproof design, suitable for wet locations
- ADC12 Aluminum Heat Sink, Outdoor Powder Coating Finish
- Optical Lens: PC Materials High Light Transmittance, Anti-UV, Fire-Resistant
- Multi Power (Selectable Switch Located On The Driver Housing)

## Technical Specifications

### Electrical:

- Input Wattage: 100W/ 150W/ 200W/ 230W
- Input Voltage: 480V AC 50/60Hz
- Power Factor: >0.9
- THD: <20%
- Efficacy: 160 LPW

### Mechanical:

- ADC12 Aluminum Heat Sink, Outdoor Powder Coating Finish
- Optical Lens: PC Materials High Light Transmittance, Anti-UV, Fire-Resistant
- LED: LUMILEDS 2835
- LED PCB Board: High Conductive, Waterproof, Aging Resistance, salt mist Resistance, Ensure the Safety and Long Lifespan
- Operating temperature: -40°F to 122°F
- IP rating: IP65, Wet Locations
- 5-Year Warranty

### Lighting:

- Dimming: 0~10V
- Multi Power (Selectable Switch Located On The Driver Housing)
- Total Lumens: 16000/ 24000/ 32000/ 36800LM
- Color Temperatures: 5000K
- Color Rendering index: > 80
- Beam Angle: 90°
- Lifespan: 50,000 Hrs

### Applications:

- Ideal for general site lighting, alleys, loading docks, doorway, pathway, parking areas, warehouses and storage buildings.



Lighting Supplier Since 2003

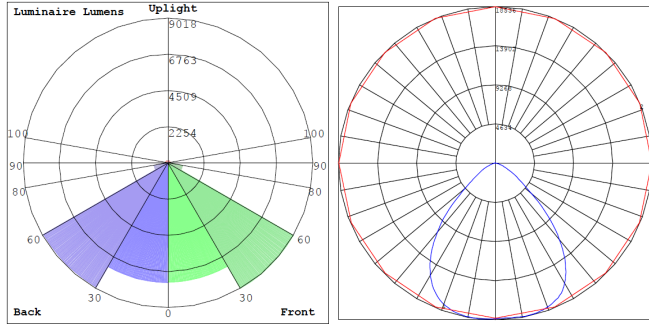


WAREHOUSE-LIGHTING.COM

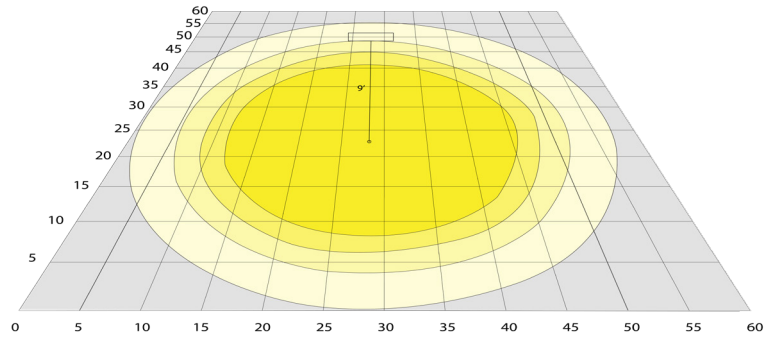
Warehouse-Lighting.com  
2750 South 163<sup>rd</sup> St  
New Berlin, WI 53151

[Warehouse-Lighting.com](http://Warehouse-Lighting.com)  
Phone: 888-454-4480  
[info@warehouse-lighting.com](mailto:info@warehouse-lighting.com)

## Photometrics: UHX-230W-MP-50K-480V



BUG Rating: B5-U3-G1



Area 60'x 60' Mounting Height: 9'

## Other Views:



Side View



Top View



Bottom View

## Performance Table: UHX-230W-MP-50K-480V

MODEL NO.	Wattage	Voltage	Lumens	Color Temp	BUG Rating	LPW
UHX-230W-MP-50K-480V	100W 150W 200W 230W	480V	16000LM 24000LM 32000LM 36800LM	5000K	B5-U3-G1	160

## Sample Ordering

**Model**   **Wattage**   **Power**   **Color Temp.**   **Voltage**

UHX - 230W - MP - 50K - 480V

## Accessory

HB-RING = HIGHBAY TOP RING ADAPTER, 1/2in  
 HB-EB-50/75 = HIGHBAY EXPANSION BUSHING FROM 1/2in TO 3/4"  
 UHX-SMB = UHX SERIES SURFACE MOUNTING YOKE BRACKET  
 UHX-WG-A = UHX SERIES WIRE GUARD, FITS ON FIXTURES  
 UHX-SC = UHX SERIES 22" SAFETY CABLE  
 UHX-ALR-A = UHX SERIES ALUM. REFLECTOR  
 UHX-PCR-A = UHX SERIES PRISMATIC PC REFLECTOR  
 UHX-PCDC = UHX SERIES PC DROP LENS COVER FOR REFLECTORS  
 UHX-PCC = UHX SERIES PC BOTTOM COVER FOR REFLECTORS  
 UXH-FL-B = UHX SERIES REPLACEMENT FROSTED GLASS LENS

## Factory-Installed Option:

Blank = No Accessory  
 OPT-EM-UHX = EXTERNAL EMERGENCY BACKUP BATTERY INSTALLED ON TOP OF THE FIXTURE

## Example:

1. UHX-230W-MP-50K-480V

(FOR UHX 230W MP FIXTURE 480V)

2. UHX-230W-MP-50K-480V  
 HB-RING

(FOR UHX 230W MP FIXTURE 480V)  
 (HIGHBAY TOP RING ADAPTER, 1/2in)

Lighting Supplier Since 2003



WAREHOUSE-LIGHTING.COM

Warehouse-Lighting.com  
 2750 South 163<sup>rd</sup> St  
 New Berlin, WI 53151

[Warehouse-Lighting.com](http://Warehouse-Lighting.com)  
 Phone: 888-454-4480  
[info@warehouse-lighting.com](mailto:info@warehouse-lighting.com)

## ACCESSORIES:



**UHX-PCR-A**  
UHX SERIES  
PRISMATIC PC  
REFLECTOR



**UHX-ALR-A**  
UHX SERIES ALUM  
REFLECTOR



**UHX-PCC**  
UHX SERIES PC  
BOTTOM COVER FOR  
REFLECTORS



**UHX-PCDC**  
UHX SERIES PC DROP  
LENS COVER FOR  
REFLECTORS



**HB-RING**  
HIGHBAY TOP RING  
ADAPTER, 1/2in



**HB-EB-50/75**  
HIGHBAY  
EXPANSION  
BUSHING FROM 1/2in  
TO 3/4"



**UHX-SMB**  
UHX SERIES SURFACE  
MOUNTING YOKE  
BRACKET



**UHX-WG-A**  
UHX SERIES WIRE  
GUARD, FITS ON  
FIXTURES



**UXH-FL-B**  
UHX SERIES REPLACEMENT  
FROSTED GLASS LENS



**UHX-SC**  
UHX SERIES 22"  
SAFETY CABLE

## FACTORY-INSTALLED OPTION:



**OPT-EM-UHX**  
EXTERNAL EMERGENCY  
BACKUP BATTERY INSTALLED  
ON TOP OF THE FIXTURE  
(The bracket can be painted)

Lighting Supplier Since 2003



WAREHOUSE-LIGHTING.COM

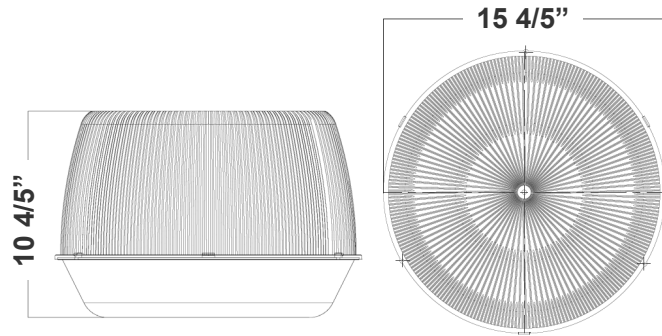
Warehouse-Lighting.com  
2750 South 163<sup>rd</sup> St  
New Berlin, WI 53151

[Warehouse-Lighting.com](http://Warehouse-Lighting.com)  
Phone: 888-454-4480  
[info@warehouse-lighting.com](mailto:info@warehouse-lighting.com)

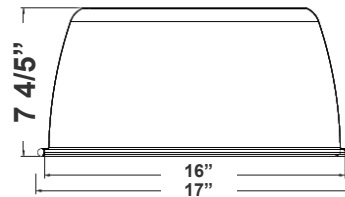
# Dimensions:



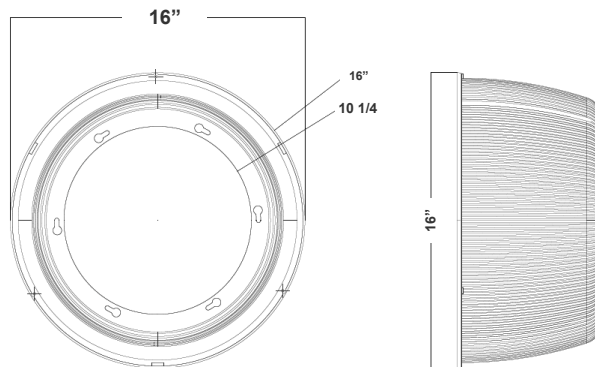
**UHX-PCC**  
UHX SERIES PC BOTTOM COVER  
FOR REFLECTORS



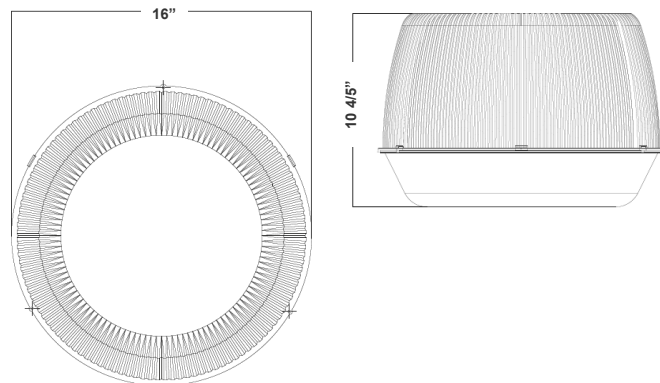
**UHX-ALR-A**  
UHX SERIES ALUM. REFLECTOR



**UHX-PCR-A**  
UHX SERIES PRISMATIC PC  
REFLECTOR



**UHX-PCDC**  
UHX SERIES PC DROP LENS  
COVER FOR REFLECTORS



Lighting Supplier Since 2003



WAREHOUSE-LIGHTING.COM

Warehouse-Lighting.com  
2750 South 163<sup>rd</sup> St  
New Berlin, WI 53151

[Warehouse-Lighting.com](http://Warehouse-Lighting.com)  
Phone: 888-454-4480  
[info@warehouse-lighting.com](mailto:info@warehouse-lighting.com)