

UCLL 1x1

LED Low Profile Center Basket Recessed or Surface Mount

FEATURES & SPECIFICATIONS

INTENDED USE

Low profile LED center lens fixtures are ideal for shallow plenum spaces. Specification grade, direct / indirect center diffuser appearance luminaire provides smooth and uniform ambient lighting for all commercial and industrial buildings with recessed configurations. Reflected light from matte surfaces provide a softened "sky light" appearance to the modern office environment. Linear ribbed lens encloses the LED array and is designed to maximize efficiency and minimize glare.

SIZE W x L x H in inches

11.85"W x 11.825"L x 3.33"D

MATERIALS & FEATURES

Housing is die-formed and embossed code 22 gage steel. Luminaire body finish is high reflectance baked white enamel, with matte white re-reflectors. Wiring knockouts are provided on the back of housing. Center diffuser snaps into place; no tools are required for removal. Diffuser is ribbed acrylic lens provides increased light output.



*Specially designed lens (LL) for LED Array to provide enhanced light transmission while minimizing glare and LED diode shadows.

MOUNTING

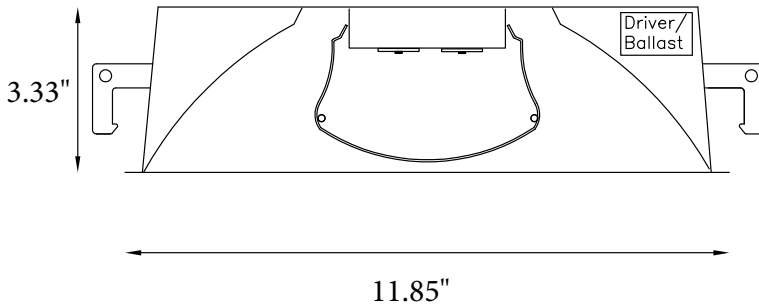
Recessed inverted T-Bar ceilings. Grid mount or Surface Mount.

OPTIONS (Add options at the end of part number)

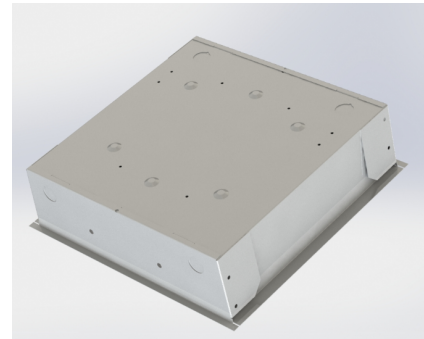
"EM" - Emergency battery backup is available (IOTAILBCP10).

"CP" - Chicago Plenum.

Dimensions



Back View



ORDERING INFORMATION

STANDARD

Example: UCLL11LF22W2200LDMV40K

UC	LL	11L	F22W2200L	DMV	40K
Series	Lens Material	Size	Wattage and Lumen	Driver	Color Temperature
UC Center Basket Grid Mount	LL Linear Ribbed Lens	11L 1' x 1'	F22W2200L 22 System Watts, 2200 Delivered Lumens	DMV 0-10V Dimming	30K 3000K 35K 3500K 40K 4000K 50K 5000K
SHUC Center Basket Surface Mount					
SSUC Center Basket Sensor - On/Off					

*Consult FACTORY for more options

Catalog Number:
Notes:

UCLL 1x2

LED Low Profile Center Basket
Recessed or Surface Mount

FEATURES & SPECIFICATIONS

INTENDED USE

Low profile LED center lens fixtures are ideal for shallow plenum spaces. Specification grade, direct / indirect center diffuser appearance luminaire provides smooth and uniform ambient lighting for all commercial and industrial buildings with recessed configurations. Reflected light from matte surfaces provide a softened "sky light" appearance to the modern office environment. Linear ribbed lens encloses the LED array and is designed to maximize efficiency and minimize glare.

SIZE W x L x H in inches

12"W x 24"L x 3.4"D

MATERIALS & FEATURES

Housing is die-formed and embossed code 22 gage steel. Luminaire body finish is high reflectance baked white enamel, with matte white re-reflectors. Wiring knockouts are provided on the back of housing. Center diffuser snaps into place; no tools are required for removal. Diffuser is ribbed acrylic lens provides increased light output.

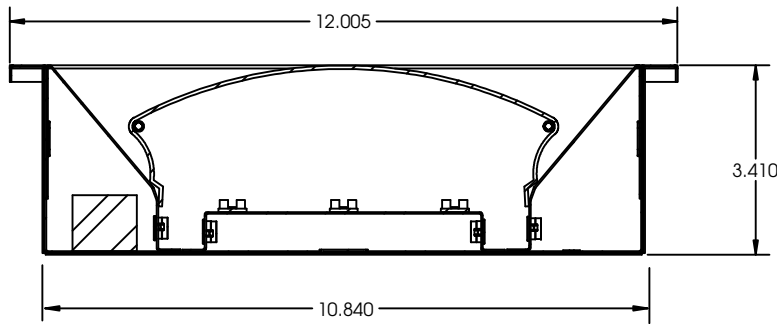


Specially designed lens (LL) for LED Array to provide enhanced light transmission while minimizing glare and LED diode shadows.

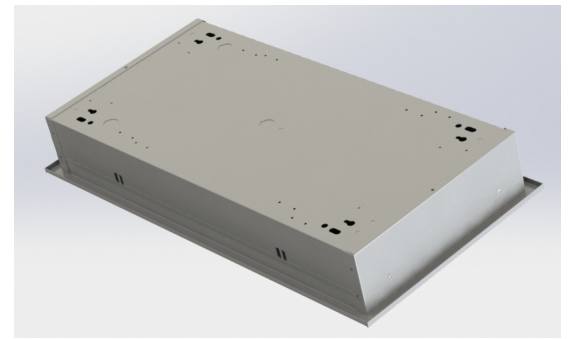
MOUNTING

Recessed inverted T-Bar ceilings. Grid mount or Surface Mount.

Dimensions



Back View



ORDERING INFORMATION

STANDARD

Example: UCLL12LF35W3400LDMV40K

UC	LL	12L	F35W3400L	DMV	40K
Series	Lens Material	Size	Wattage and Lumen	Driver	Color Temperature
UC Center Basket Grid Mount	LL Linear Ribbed Lens	12L 1' x 2'	F35W3400L 35 System Watts, 3400 Delivered Lumens	DMV 0-10V Dimming	30K 3000K 35K 3500K 40K 4000K 50K 5000K
SHUC Center Basket Surface Mount					
SSUC Center Basket Sensor - On/Off					

*Consult FACTORY for more options

Catalog Number:
Notes:

UCLL 1x4

NGF 'Nqy 'Rt qPig'E gpvgt 'Dcungv
T geguqf 'qt 'Uwt lreg'O qwpv

FEATURES & SPECIFICATIONS

INTENDED USE

Low profile LED center lens fixtures are ideal for shallow plenum spaces. Specification grade, direct / indirect center diffuser appearance luminaire provides smooth and uniform ambient lighting for all commercial and industrial buildings with recessed configurations. Reflected light from matte surfaces provide a softened "sky light" appearance to the modern office environment. Linear ribbed lens encloses the LED array and is designed to maximize efficiency and minimize glare.

SIZE W x L x H in inches

11.7"W x 47.8"L x 3.25"D

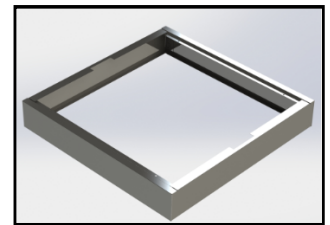
MATERIALS & FEATURES

Housing is die-formed and embossed code 22 gage steel. Luminaire body finish is high reflectance baked white enamel, with matte white re-reflectors. Wiring knockouts are provided on the back of housing. Center diffuser snaps into place; no tools are required for removal. Diffuser is ribbed acrylic lens provides increased light output.

- Direct / indirect mimics "sky light" appearance
- Matte white reflective surfaces for soft, uniform light distribution



Specially designed lens (LL) for LED Array to provide enhanced light transmission while minimizing glare and LED diode shadows.



Shroud for surface mounted.

MOUNTING

Recessed inverted T-Bar ceilings. Grid mount or Surface Mount.

ORDERING INFORMATION

Example: UCLL14LH9SW%&"LDMV40K

EF3@63D6

WE	NN	36N	H%SY %&"N	FOX	62M
Ugt lgu	Ngpu'O cvgt lcn	Uq g	Y cwci g' TNwo gp	Driver	Eqmt 'Vgo r gt awt g'
WE" Center Basket Grid Mount	NN Linear Ribbed Lens BS Perforated Basket	36N	H54Y 56' "N 32 System Watts, 3463 Delivered Lumens H6: Y 6: "N 48 System Watts, 4813 Delivered Lumens H79Y 76" "N 57 System Watts, 5400 Delivered Lumens	DMV 0-10V Dimming	52M' 3000K 57M' 3500K &= 4000K ' = 5000K
UJ WE Center Basket Surface Mount					
SSUC Center Basket Sensor - On/Off					

: ;9: AGFBGF

WE	NN	36N	J 94Y 9222N	FOX	62M
Ugt lgu	Ngpu'O cvgt lcn	Uq g	Y cwci g' TNwo gp"	Driver	Eqmt 'Vgo r gt awt g'
WE" Center Basket Grid Mount	NN Linear Ribbed Lens BS Perforated Basket	36N	J 94Y) "" "N 72 System Watts, 7000 Delivered Lumens	DMV 0-10V Dimming	52M' 3000K 57M' 3500K &= 4000K ' = 5000K
UJ WE Center Basket Surface Mount					
SSUC Center Basket Sensor - On/Off					

f15a` egf'835FADKXd_ adMbf'a` e

Catalog Number:
Notes:

UCLL 2x2

LED Low Profile Center Basket

Recessed or Surface Mount

FEATURES & SPECIFICATIONS

INTENDED USE

Low profile LED center lens fixtures are ideal for shallow plenum spaces. Specification grade, direct / indirect center diffuser appearance luminaire provides smooth and uniform ambient lighting for all commercial and industrial buildings with recessed configurations. Reflected light from matte surfaces provide a softened “sky light” appearance to the modern office environment. Linear ribbed lens encloses the LED array and is designed to maximize efficiency and minimize glare.

SIZE W x L x H in inches

24”W x 24”L x 3.25”D

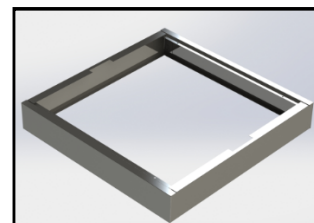
MATERIALS & FEATURES

Housing is die-formed and embossed code 22 gage steel. Luminaire body finish is high reflectance baked white enamel, with matte white re-reflectors. Wiring knockouts are provided on the back of housing. Center diffuser snaps into place; no tools are required for removal. Diffuser is ribbed acrylic lens provides increased light output.

- Direct / indirect mimics “sky light” appearance
- Matte white reflective surfaces for soft, uniform light distribution



Specially designed lens (LL) for LED Array to provide enhanced light transmission while minimizing glare and LED diode shadows.



Shroud for surface mounted.

MOUNTING

Recessed inverted T-Bar ceilings. Grid mount or Surface Mount.

ORDERING INFORMATION

STANDARD

UC	LL	22L	F24W2400L	DMV	40K
Series	Lens Material	Size		Driver	Color Temperature
UC Center Basket Grid Mount	LL Linear Ribbed Lens PF Perforated Basket	22L		DMV 0-10V Dimming	30K 3000K 35K 3500K 40K 4000K 50K 5000K
SHUC Center Basket Surface Mount			Wattage and Lumen		
SSUC Center Basket Sensor - On/Off			F20W2000L 20 System Watts, 2000 Delivered Lumens F24W2400L 24 System Watts, 2400 Delivered Lumens F28W2700L 28 System Watts, 2700 Delivered Lumens F30W3000L* 30 System Watts, 3000 Delivered Lumens (only 3000K is listed on DLC) F35W3200L 35 System Watts, 3200 Delivered Lumens		

HIGH OUTPUT

UC	LL	22L	H48W4300L	DMV	40K
Series	Lens Material	Size		Driver	Color Temperature
UC Center Basket Grid Mount	LL Linear Ribbed Lens PF Perforated Basket	22L		DMV 0-10V Dimming	30K 3000K 35K 3500K 40K 4000K 50K 5000K
SHUC Center Basket Surface Mount			Wattage / Lumen		
SSUC Center Basket Sensor - On/Off			H48W4300L 48 System Watts, 4300 Delivered Lumens		

* Consult FACTORY for more options

Texas Fluorescents

2055 Luna Rd. Suite 142 Carrollton, TX 75006

Phone: 972-247-3171 Fax: 972-247-0200

www.texasfluorescents.com email: sales@texasfluorescents.com

Catalog Number:

Notes:

UCLL 2x4

LED Low Profile Center Basket Recessed or Surface Mount

FEATURES & SPECIFICATIONS

INTENDED USE

Low profile LED center lens fixtures are ideal for shallow plenum spaces. Specification grade, direct / indirect center diffuser appearance luminaire provides smooth and uniform ambient lighting for all commercial and industrial buildings with recessed configurations. Reflected light from matte surfaces provide a softened "sky light" appearance to the modern office environment. Linear ribbed lens encloses the LED array and is designed to maximize efficiency and minimize glare.



SIZE W x L x H in inches

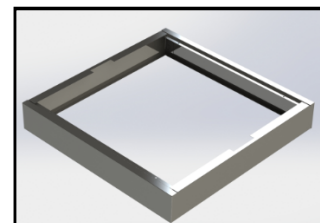
24"W x 48"L x 3.25"H

MATERIALS & FEATURES

Housing is die-formed and embossed code 22 gage steel. Luminaire body finish is high reflectance baked white enamel, with matte white re-reflectors. Wiring knockouts are provided on the back of housing. Center diffuser snaps into place; no tools are required for removal. Diffuser is ribbed acrylic lens provides increased light output.



Specially designed lens (LL) for LED Array to provide enhanced light transmission while minimizing glare and LED diode shadows.



Shroud for surface mounted.

- Matte white reflective surfaces for soft, uniform light distribution

ORDERING INFORMATION

Example: UCLL24LF32W3450LDMV40K

STANDARD

UC	LL	24L	F32W3450L	DMV	40K
Series	Lens Material	Size	Wattage and Lumen	Driver	Color Temperature
UC Center Basket Grid Mount	LL Linear Ribbed Lens PF Perforated Basket	24L	F32W3450L 32 System Watts, 3450 Delivered Lumens F48W4800L 48 System Watts, 4800 Delivered Lumens F57W5400L 57 System Watts, 5400 Delivered Lumens	DMV 0-10V Dimming	30K 3000K 35K 3500K 40K 4000K 50K 5000K
SHUC Center Basket Surface Mount					
SSUC Center Basket Sensor - On/Off					
			Value Line		
			V45Y 5000N 45 System Watts, 5000 Delivered Lumens		

HIGH OUTPUT

UC	LL	24L	H72W7000L	DMV	40K
Series	Lens Material	Size	Wattage and Lumen	Driver	Color Temperature
UC Center Basket Grid Mount	LL Linear Ribbed Lens PF Perforated Basket	24L	H72W7000L 72 System Watts, 7000 Delivered Lumens	DMV 0-10V Dimming	30K 3000K 35K 3500K 40K 4000K 50K 5000K
SHUC Center Basket Surface Mount					
SSUC Center Basket Sensor - On/Off					

*Consult FACTORY for more options

Catalog Number:
Notes: