

PROJECT NAME:
NOTES:
PART NUMBER:
DATE:

TROFFER — LED TUBES



PRODUCT DESCRIPTION:

The LED Tube Troffer is the most economical solution for troffer lighting. The troffer is built with quality pre-painted steel. TechBrite’s LED Tube Troffer utilizes a prismatic clouded lens engineered to decrease glare and maintain a visually appealing appearance. The troffer is wired to accommodate a variety of LED tubes and is available in 2x2, 2x4. The narrow depth of TechBrite’s LED Troffer 2x2 makes it an ideal choice for reduced plenum heights. Integral hurricane clips speed installation. The TechBrite Troffer is LED tube ready and offers a quick and economical solution for entering the LED market.

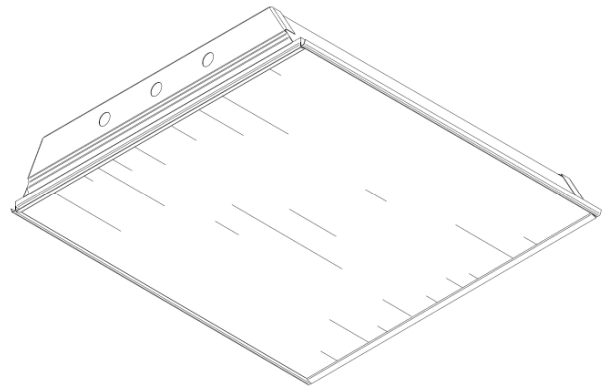
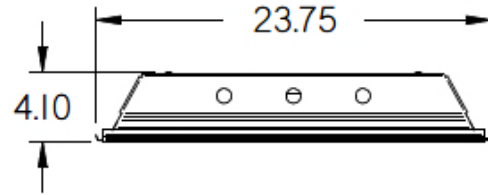
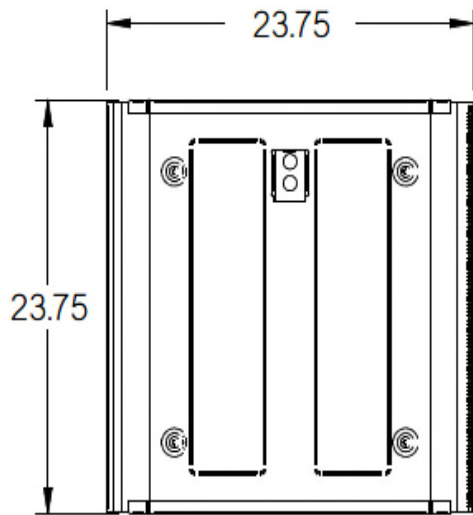
FEATURES:

- Standard P12 prismatic lens
- Designed for optimal general ambient lighting for recessed applications
- Available in 2x2 and 2x4
- Standard lay-in recessed mounting
- Surface mount kit—optional
- Integral hurricane clips
- Limited warranty: 5 years on luminaire

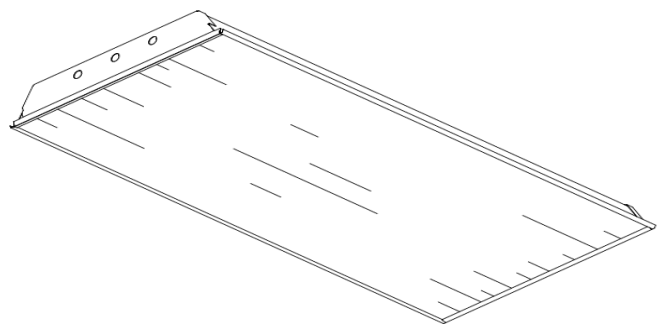
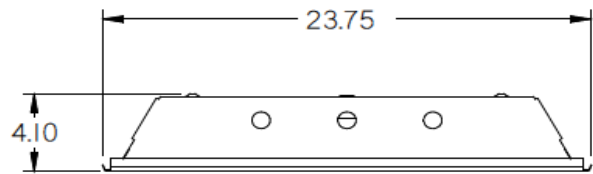
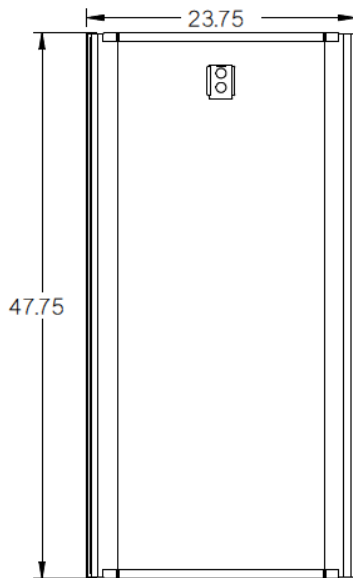
PERFORMANCE SPECIFICATION:

Lumens	6 Lamp Max (2') / 6 Lamp Max (4')
Watts	2x2 = 54w Max / 2x4 = 132w Max
LPW	See TLED Specification
Color	See TLED Specification
CRI	See TLED Specification
L70	See TLED Specification
L85	See TLED Specification
Max Ambient Temp	See TLED Specification
Min Ambient Temp	See TLED Specification
Dimming	See TLED Specification
Driver Voltage	See TLED Specification
Chip	See TLED Specification
Driver	See TLED Specification

2X2 DIMENSIONS:



2X4 DIMENSIONS:



PART NUMBERS & DESCRIPTION: (* INDICATES # OF LAMPS SEE BELOW)

Part Number	Description	Dimensions	Weight
L224*SSUBXX00P0	Troffer 2x2 LED Tube—Wired Single End—Unshunted sockets	23.75 x 23.75 x 4.10 (Inches)	10.06 (lbs)
L224*SSUBXX00P0-WOE	Troffer 2x2 LED Tube—Wired Opposing Ends—Shunted sockets	23.75 x 23.75 x 4.10 (Inches)	10.06 (lbs)
L424*SSUBXX00P0	Troffer 2x4 LED Tube—Wired Single End—Unshunted sockets	47.25 x 23.75 x 4.10 (Inches)	18.95 (lbs)
L424*SSUBXX00P0-WOE	Troffer 2x4 LED Tube—Wired Opposing Ends—Shunted sockets	47.25 x 23.75 x 4.10 (Inches)	18.95 (lbs)

* 2, 3, 4, or 6 lamp option

ORDERING CHART:

Series		Length		Width		# of Tubes		Type		Socket Type		Reflector		Wiring	
L	Lay-in Troffer	2	2 Foot	24	2x2	2	2 lamp	SS	LED Tubes	X	Shunted	BXX	Ballast Cvr	00P0	Prewired
		4	4 Foot	24	2x4	3	3 lamp			U	Unshunted	WXX	White		
						4	4 lamp					MXX	Miro 4		
						6	6 lamp								

Lamp Type	
BLANK	Wired single end with unshunted sockets
WOE	Wired opposing ends with shunted sockets