

PROJECT NAME:
NOTES:
PART NUMBER:
DATE:

VAPORTITE HIGH BAY ADVANCED—LED TUBES



PRODUCT DESCRIPTION:

TechBrite’s LED Vaportite High Bay Advanced can take on the toughest environments. Rated IP67, the LED Vaportite High Bay Advanced is designed to minimize the retention of liquids or debris when hosed down. The standard stainless steel hardware makes it an ideal solution for most environments. The LED Tube Vaportite High Bay is an ideal replacement for metal halide or T8 fixtures.

FEATURES:

- Designed for tough environments
- Easy to clean and service
- Variety of tubes combinations (3, 4, 5, 6)
- Impact resistant lenses
- Stainless steel hardware
- Simple mounting system—no holes to drill!
- Limited warranty: 5 years on luminaire

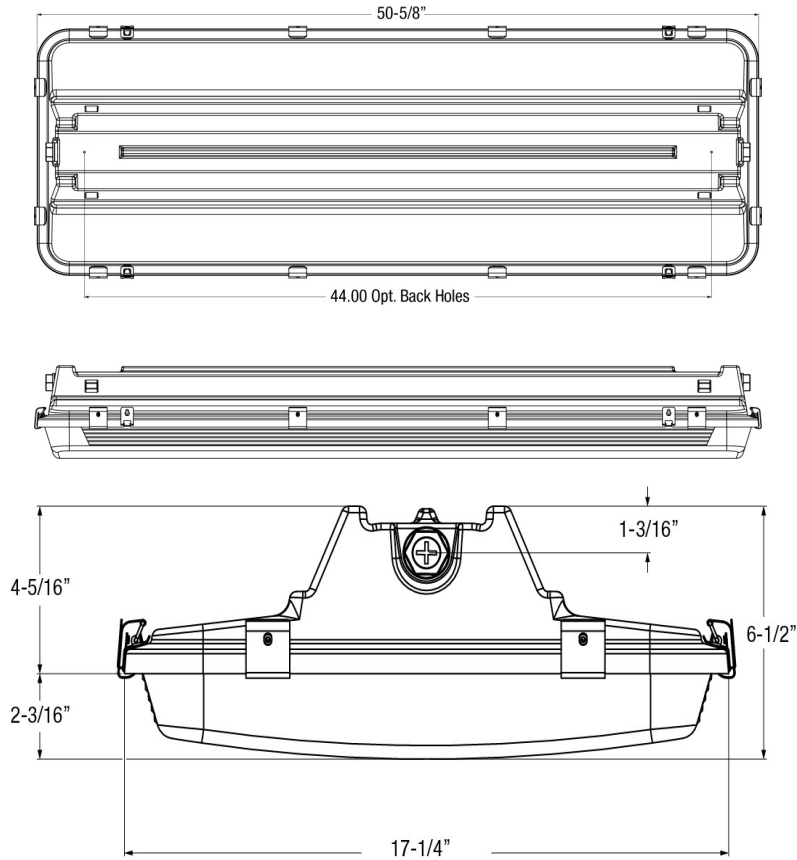
PERFORMANCE SPECIFICATION:

Lumens	6 Lamp Max
Watts	132W
LPW	See TLED Specification
Color	See TLED Specification
CRI	See TLED Specification
L70	See TLED Specification
Max Ambient Temp	See TLED Specification
Min Ambient Temp	See TLED Specification
Dimming	See TLED Specification
Driver Voltage	See TLED Specification
IP Rating	See TLED Specification
Chip	See TLED Specification
Driver	See TLED Specification

* Actual performance data for VHA48SS1B30SXXXX
 * LTL Verification Services Test # UT18080002-17a and b



DIMENSIONS:



ORDER GUIDE:

Series		Length		# of Tubes		Type		Socket Type		Reflector		Wiring	
VHA	Vaportite High Bay	4	4 Foot	3	3 lamp	SS	LED Tubes	X	Shunted	BCXX	Ballast Cvr	00P0	Prewired
				4	4 lamp			U	Unshunted	MRXX	Miro 4		
				6	6 lamp								

ADDER:

Lamp Type	
BLANK	Wired single end with unshunted sockets
WOE	Wired opposing ends with shunted sockets