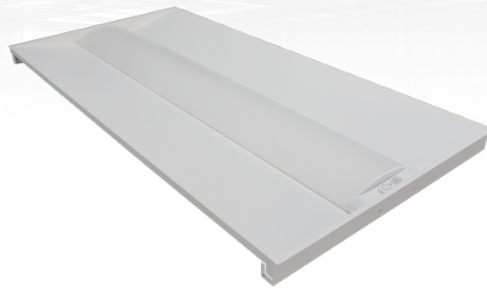




WAREHOUSE-LIGHTING.COM
 INDUSTRIAL AND COMMERCIAL
 LIGHTING MFR SINCE 2003

PROJECT NAME _____
 ITEM # _____
 FIXTURE SCHEDULE _____
 NOTES _____

Center Basket Troffer Series



This basket troffer delivers unmatched performance and energy savings with superb flowing design. Featuring selectable wattage and CCT, these fixtures adopt the latest in optical and LED technologies to provide a single pleasant volumetric soft light that fills any interior space. The center basket design gives a larger, brighter, and more productive ambiance.

Specifications – 2' x 4'

CRI	> 80	LED Lifespan	L70 > 100,000 hours
Light Source	LED	Mounting Options	T-grid or drop ceiling
		Operating Temp	-20°C to +45°C (-4°F to 113°F)
CCT	Select 3500K/4000K/5000K	Lens	Frosted PMMA
Wattage	Select 34W/38W/45W	Product Dimensions	L 47.8" X W 23.7" x H 2.1"
LPW	125	Product Weight	11 lbs
Lumens*	5625/5670/5715/5760	Certifications	cULus, Damp Locations, DLC Premium v5.1
Voltage	120-277V		

*Data is considered to be representative of the series. Actual production may vary between up to ±10% of initial delivered lumens.





WAREHOUSE-LIGHTING.COM
 INDUSTRIAL AND COMMERCIAL
 LIGHTING MFR SINCE 2003

PROJECT NAME _____
 ITEM # _____
 FIXTURE SCHEDULE _____
 NOTES _____

Order Information

Basket Troffer Series Concord G4				Example: TRCBLED2x2-CHWT-MV-DM010-G4		
Series	Size	Wattage CCT	Voltage	Dimming	Generation	Emergency Backup
TRCBLED	2x2 2' x 2'	CHWT 25W/30W/35W 35K/40K/50K	MV 120-277V	DM010 0-10v continuous *with sensor and remote only	G4	Blank No Emergency Backup
	2x4 2' x 4'	CHWT 34W/38W/45W 35K/40K/50K				FIEM Factory Install Emergency Backup

DLC Information

Item	DLC Version	DLC ID	Wattage	Lumens*
TRCBLED2x2-CHWT-MV-DM010-G4	5.1 Premium	S-MCLFW3	35W	4375
TRCBLED2x2-CHWT-MV-DM010-G4-FIEM	5.1 Premium	S-KD6M4U	35W	4375
TRCBLED2X4-CHWT-MV-DM010-G4	5.1 Premium	S-8AXMG4	45W	5625
TRCBLED2X4-CHWT-MV-DM010-G4-FIEM	5.1 Premium	S-EOUNAR	45W	5625



WAREHOUSE-LIGHTING.COM

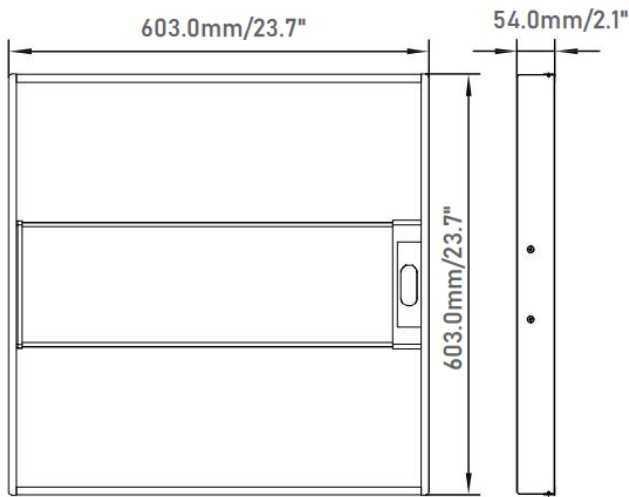
INDUSTRIAL AND COMMERCIAL
LIGHTING MFR SINCE 2003

PROJECT NAME _____
ITEM # _____
FIXTURE SCHEDULE _____
NOTES _____

Dimensions

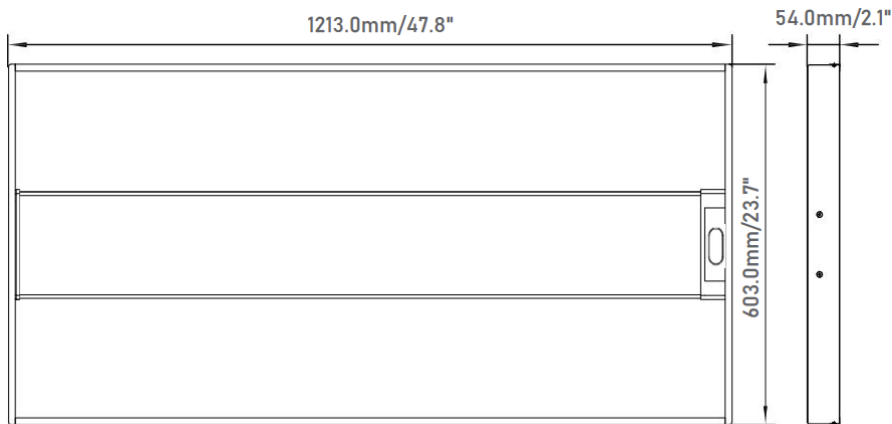
Item	Length	Width	Height	Weight
TRCBLED2x2-CHWT-MV-DM010-G4	23.7"	23.7"	2.1"	6.22 lbs
TRCBLED2x2-CHWT-MV-DM010-G4-FIEM	23.7"	23.7"	2.1"	7.48 lbs
TRCBLED2X4-CHWT-MV-DM010-G4	47.8"	23.7"	2.1"	11 lbs
TRCBLED2X4-CHWT-MV-DM010-G4-FIEM	47.8"	23.7"	2.1"	12.94 lbs

2x2



Product Weight : 3.10Kg/6.83lb

2x4



Product Weight : 5.19Kg/11.44lb

INTEGRATED LOW VOLTAGE DAYLIGHT HARVESTING/BI-LEVEL PIR MOTION SENSOR-IFS06R



MODELS

IFS06R, 12V DC

SPECIFICATIONS AND FEATURES

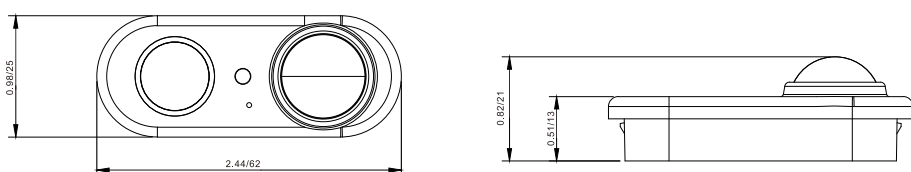
Input Voltage:12V DC
 Input Current:9mA
 Standby Power:0.1W
 Warranty: Five year warranty
 Detection range:32ft Max
 Mounting height:23ft Max
 IP rate: IP20
 Op. temperature: -30F~131F
 (-30°C~55°C)
 Fixture Die Cut: 20.8x64.8mm

PRODUCT OVERVIEW

INTEGRATED LOW VOLTAGE DAYLIGHT HARVESTING/BI-LEVEL PIR MOTION SENSOR-IFS06R

IFS06R is compact size PIR sensor combines occupancy sensing with photocell. When used with 0-10V dim-to-off LED drivers, it enables any lighting manufacturer to deliver sensor-equipped fixtures with minimal engineering effort. It operates on 12V DC which can be supplied by a LED driver, which will save OEM cost on manufacturer side. Different mode can be selected according to different applications through RM5 I IR remote controller. The integrated photocell can switch the lights on and off for dusk to dawn control, so that lighting remains on overnight even without motion detection. Under daylight harvesting mode, the auto-calibration function can control the amount of electric light by measuring the overall combined natural and electric light to achieve the desired light level. Support push button wire connection. Support super low profile luminaire.

DIMENSION

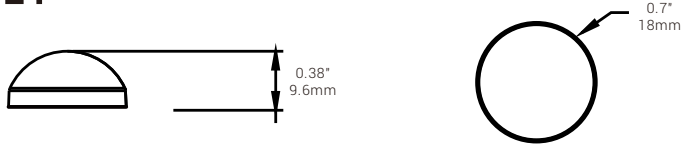


WIRING

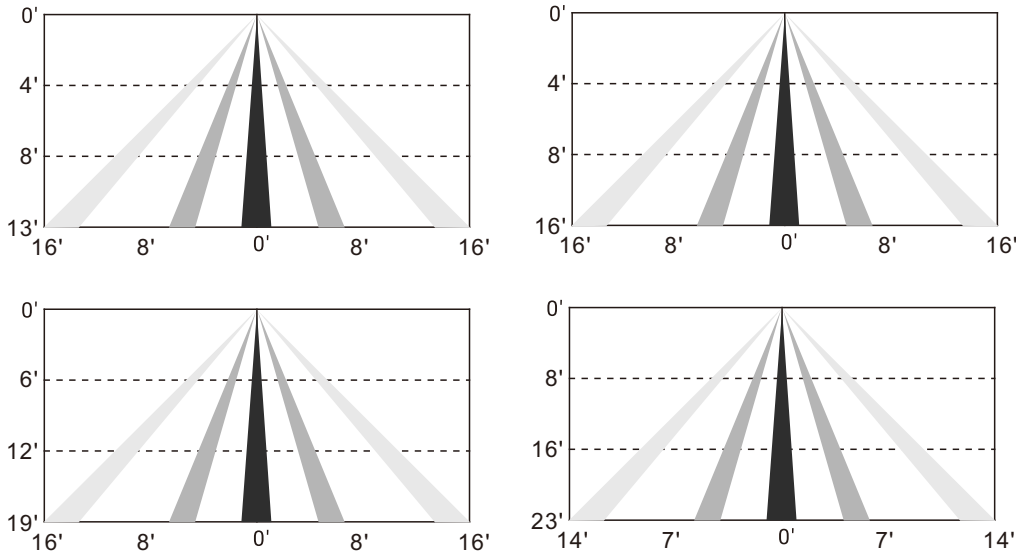


DIMENSIONS

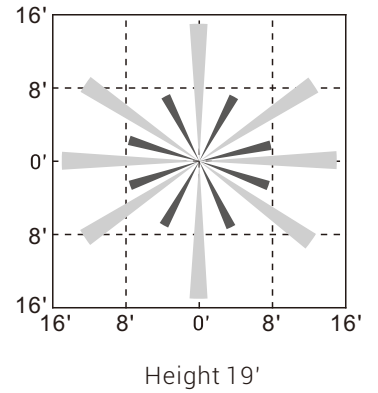
LBL1



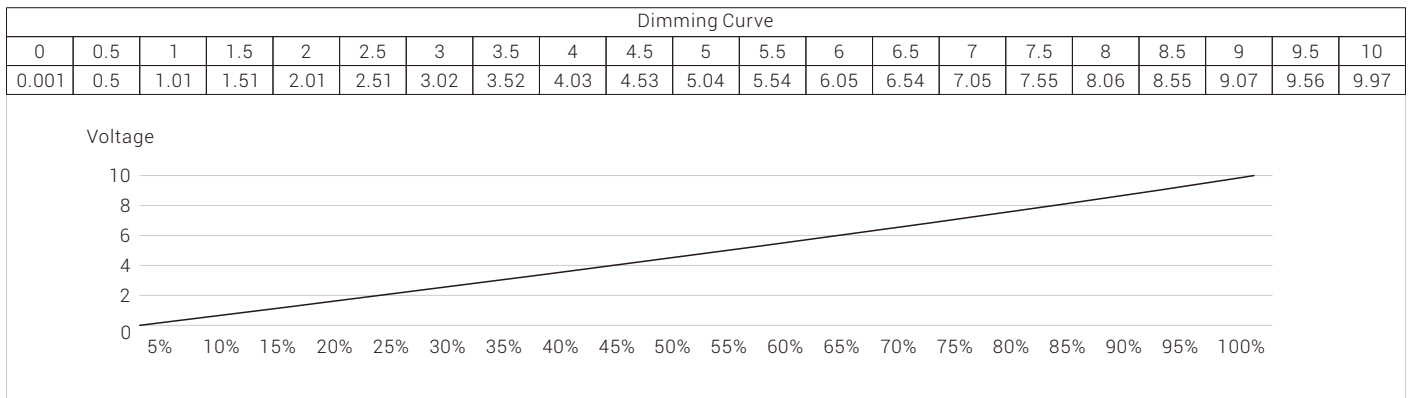
LBL1 Coverage Side View



LBL1 Coverage Top View



DIMMING CURVE



REMOTE INSTRUCTION

Memory Mode (Commissioning) To begin commissioning, follow the steps below:

1. Select either A, B, C, D.
 2. Indicator lights on the remote will flash to indicate the current saved settings.
 3. Settings can be configured by pressing appropriate buttons in the highlighted gray area of the remote. (TRIM-LEVEL, SENSITIVITY, HOLD TIME, STANDBY DIM, STANDBY TIME, and PHOTOCELL). Review selected settings and make changes as necessary.
 4. Point IR remote to desired luminaire for configuration and press "SEND".
 5. If configuration is successful, luminaire will flash two times suggesting settings are saved. Any parameter change to the current saved settings on A to F will override previous settings and will be automatically saved on the remote. If configuring multiple luminaires, select the configured memory mode A to E then follow steps 4 and 5.
- *** **E Mode** allows visual adjustment to choose the desired dimming Level.

Continuous Adjustment Mode or Daylight Harvesting (F Mode)

Enables dimmability in response to daylight availability.

1. Point IR remote to desired luminaire
2. Press "ON" then press DIM+ or DIM- to adjust dimming level.
3. Press "F", indicator lights on the remote will indicate current saved settings. Note: only TRIM-LEVEL, SENSITIVITY, and HOLD TIME can be selected for Daylight Harvesting settings.
4. Review selected settings and make changes as necessary. Press "SEND".
5. If configuration is successful, luminaire will flash twice to confirm setting saved.
If configuring multiple luminaires, select the configured DAYLIGHT HARVESTING settings then follow steps 4 and 5.

ON	Turns On Luminaires
OFF	Turns OFF Luminaires
TEST	Test mode will last 5 mins then return to previous setting Test mode will hold time 2 seconds SDL 50% and standby time 2 seconds
RESET	See below for factory settings highlighted in yellow
DIM+/-	Remote will manually dim luminaire up or down by increments of 0.5volts. Must be smooth dimming if holding dimming button.
TRIM-LEVEL	Set Maximum threshold value 50/75/100%(Default = 100%)
SENSITIVITY	OFF(PIR OFF Enter PC ON/OFF function)/LOW(50%)/HIGH (100%) (Default=HIGH)
HOLD TIME	(time of no occupancy after which fixture goes to stand by) 30s / 5min /15min / 30min (Default= 5min)
F MODE DAYLIGHT HARVESTING	(Enable/Disable) Measure and set feature to allow the fixture to maintain a light level. If turned ON. (Default = Disabled)
STANDBY DIM	Select any standby dim level 0/10/30/50% (Default=50%)
STANDBY TIME	Stand by time - 10s / 5min /15min / 30min / 1h / ∞. "∞" means the stand-by time is infinite and the fixture is effectively controlled by the daylight sensor) (Default=30min)
PHOTOCELL	LOW (1fc) MED (20fc) and HIGH (50fc) settings (Default = Disabled) CAL Collecting The current Lux Level
MODE	Set settings to a Program profile A to D
SEND	Send settings to sensor

