

VAPOR TIGHT

INSTALL INSTRUCTIONS

SAFETY INSTRUCTIONS

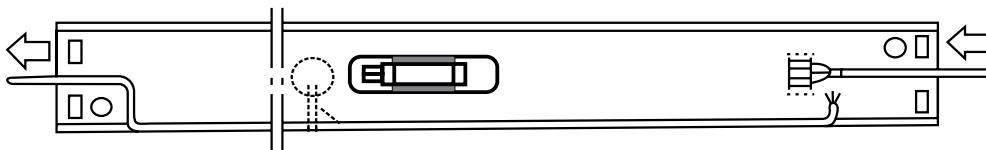
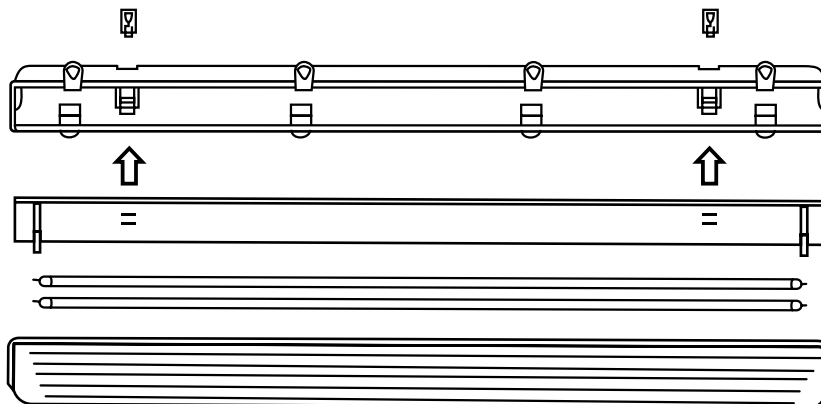
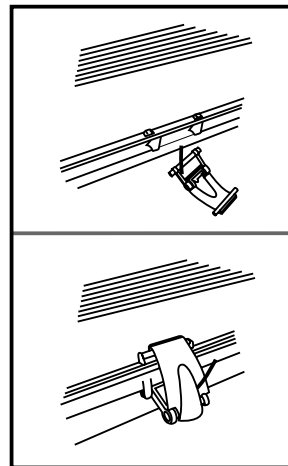
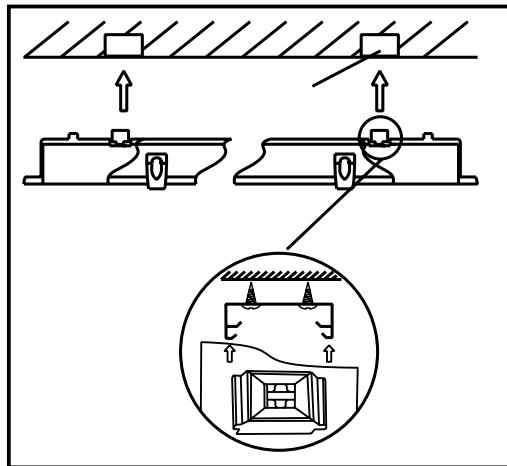
PLEASE FIND A QUALIFIED ELECTRICIAN FOR INSTALLATION.

Please read the instruction before you install and use the luminaire.

READ AND FOLLOW ALL SAFETY INSTRUCTIONS

- Disconnect the power supply while replacing or maintaining the product to prevent electrical shock
- Reconstruction or the use of accessory equipment is not recommended. May cause unsafe conditions and will void the warranty.
- Servicing of this equipment should be performed by a qualified electrician.
- Do not mount near electric or gas heaters.
- Do not use this equipment for other than its intended purpose
- This fixture is suitable for wet locations, IP65.
- SAVE THESE INSTRUCTIONS

INSTALLATION

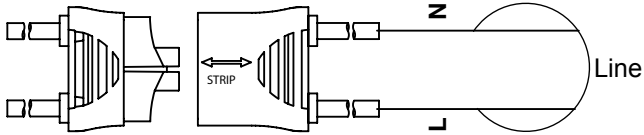


VAPOR TIGHT

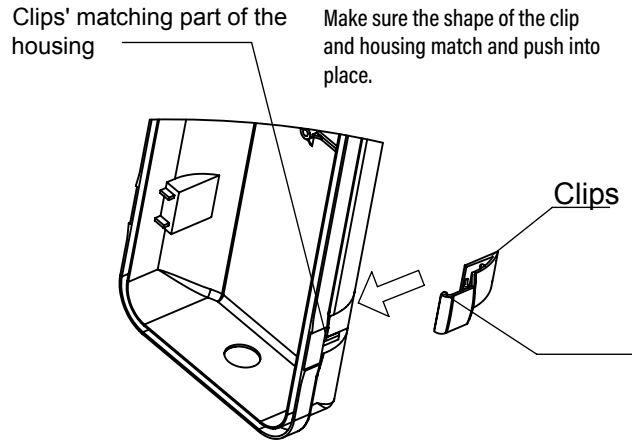
INSTALL INSTRUCTIONS

INSTALLATION

3. Power connection

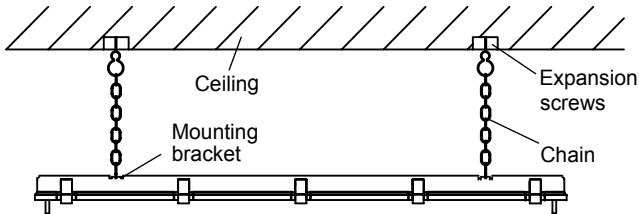


4. Clip Installation

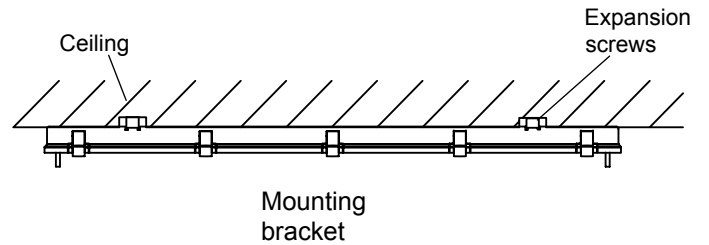


MOUNTING

3. Chain Mounting



4. Ceiling Mounting



Phone: 888-454-4480
info@warehouse-lighting.com