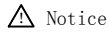


Installation guide

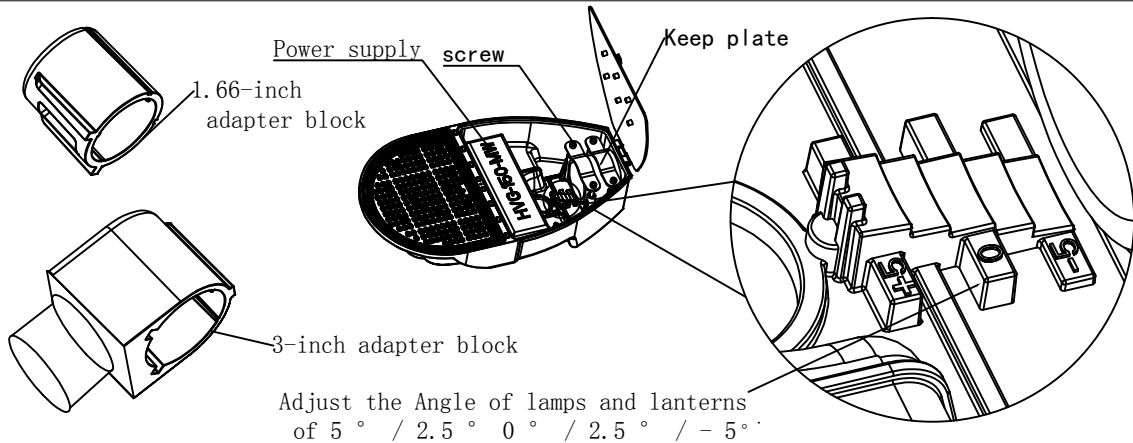


PLEASE READ ALL INSTRUCTIONS BEFORE ATTEMPTING INSTALLATION

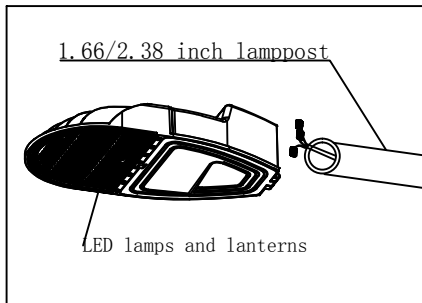
- To prevent personal injury or product damage only licensed electricians should install.
- To avoid electric shock or component damage disconnect power before attempting installation or servicing.
- This product must be installed in accordance with the national electric code (NEC) and all applicable federal, state and local electric codes and safety standards.
- Disconnect product and allow cooling prior to servicing.
- Any alteration or modification of this product is expressly forbidden as it may cause serious personal injury, death, property damage and/or product malfunction.
- To prevent product malfunction and/or electrical shock this product must be properly grounded.
- This luminaire is designed to operate in ambient temperatures ranging from -30°C to 40°C and to be horizontally mounted with the LEDs facing down.

1、Unpacking

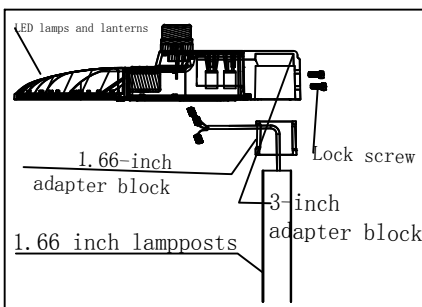
Thoroughly check the damage to the fixture. Damage to the goods shall be reported to the carrier



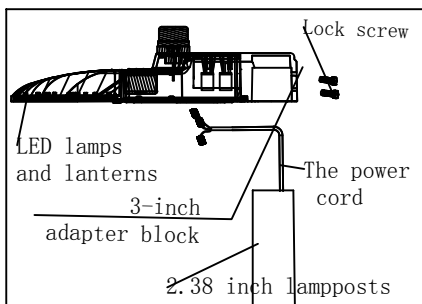
1. install



Method 1: the lamps and lanterns directly install the lamp rod, the outer diameter of the lamp pole is 3 inches and 2.4 inches two kinds of specifications. When the street lamp is assembled into the lamp post, the Angle of the lamp will be adjusted according to the actual situation. (5° for lamps and lanterns with Angle / 2.5° 0° / 2.5° / -5°) (as shown)



Method 2: install the 3 inch adapter piece on the lamp, then install the 1.6-inch adapter piece on the lamp post, install on the 1.66-inch lamp lever, tighten the two screws, the lamppost is fixed. Lamps of lamps and lanterns can adjust the Angle of lamps and lanterns. (5° / 2.5° 0° / 2.5° / -5°). (see charts.)



Mode 3: when the lamppost is turned into a lamppost 2.38 inches, the lamp is mounted directly on the lamp, with two screws and the lamppost fixed. The Angle of lamps and lanterns adjusts according to actual situation. Lamps and lanterns (5° / 2.5° Angle 0° / 2.5° / -5°) (as shown)