

WHL-MPAL-KFS Multi-Purpose Area Luminaires Kelvin Field Selectable



STANDARD



FEATURES

- Field selectable 3500k (warm/neutral white), 4000k (neutral white) and 5000k (cool white) color temperatures.*
- Long-life LEDs provide up to 149,000 hours of operation with at least 70% of initial lumen output (L_{70}).**
- Available models provide from 2,000 to 7,200 lumens, and from 125 to 156 lumens per watt (LPW).*
- Standard optic provides an IES roadway type V distribution, or a 7V (vertical) x 7H (horizontal) NEMA floodlight distribution.
- Universal 120-277 AC voltage (50-60Hz) is standard.
- Power factor > 90.
- Total harmonic distortion < 20%.
- Color rendering index > 80.
- Die cast aluminum housing with durable, dark bronze powder coat finish.
- Polycarbonate lens.
- Wireway enclosure is sealed with a water-tight, silicon rubber gasket.
- Easy installation in new construction or retrofit applications.

* Contact factory for other color temperatures and lumen packages.

** L_{70} hours are IES TM-21-11 calculated hours.

WARRANTY & LISTINGS

- cULus listed for wet locations in ambient temperatures from -40°C to 50°C (-40°F to 122°F).
- IP65 rated for ingress protection.
- DLC premium approved.
- Lens is IK 10 rated for protection from external impacts.
- Salt fog tested for 1,000 hours (ASTM B117). After salt fog testing, paint rated at 7 per ASTM D1654-05 scratch test.
- Complies with FCC Part 15, class A.
- Complies with EN61000-4-5, surge immunity protection (4kV).
- 5-year warranty of all electronics and housing.

MOUNTING OPTIONS & ACCESSORIES

- Standard aluminum die-cast knuckle-mount for junction box installation.
- Yoke-mount option provides secure attachment to flat surfaces, 4L & 7L only, sold separately.
- Line voltage ground stake allows for easy installation for landscape illumination, sold separately.

ORDERING INFORMATION

Example: WHL-MPAL-4L-LKFS

| Series | Nominal Lumen Output | | Color Temperature | | Mounting Accessories (Order Separately) | |
|----------|----------------------|-------------|-------------------|-------|---|---------------------------|
| | 2L | 4L | KFS* | 3500k | MPAL-KFS-YKL | Yoke mount, 4L & 7L |
| WHL-MPAL | 2L | 2000 lumens | KFS* | 3500k | MPOST17 | Line voltage ground stake |
| | 4L | 4000 lumens | | 4000k | | |
| | 7L | 7000 lumens | | 5000k | | |

* Field selectable kelvin temperatures.



Warehouse-Lighting.com
2750 South 163rd St
New Berlin, WI 53151

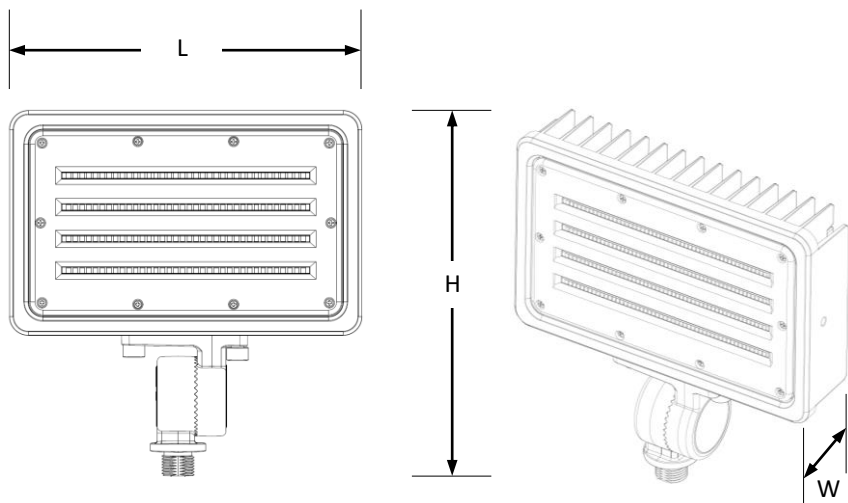
Warehouse-Lighting.com
Phone: 888-454-4480
requests@warehouse-lighting.com

WHL-MPAL-KFS Multi-Purpose Area Luminaires Kelvin Field Selectable

ELECTRICAL DATA

| Series | Measurements | WHL-MPAL-2L | | | WHL-MPAL-4L | | | WHL-MPAL-7L | | |
|--------------|-------------------|--------------|--------------|--------------|--------------|--------------|--------------|--------------|--------------|--------------|
| | | 3500K | 4000K | 5000K | 3500K | 4000K | 5000K | 3500K | 4000K | 5000K |
| WHL-MPAL-KFS | Lumens | 2002 | 2179 | 2085 | 4436 | 4696 | 4526 | 6601 | 7170 | 6884 |
| | Watts | 16 | 15 | 16 | 31 | 30 | 31 | 52 | 49 | 51 |
| | Efficacy | 125 | 145 | 132 | 142 | 156 | 145 | 126 | 147 | 134 |
| | Input Current (A) | 120V = 0.13A | 120V = 0.13A | 120V = 0.13A | 120V = 0.26A | 120V = 0.25A | 120V = 0.26A | 120V = 0.43A | 120V = 0.41A | 120V = 0.43A |
| 240V = 0.07A | | 240V = 0.06A | 240V = 0.07A | 240V = 0.13A | 240V = 0.13A | 240V = 0.13A | 240V = 0.22A | 240V = 0.20A | 240V = 0.21A | |
| 277V = 0.06A | | 277V = 0.05A | 277V = 0.06A | 277V = 0.11A | 277V = 0.11A | 277V = 0.11A | 277V = 0.19A | 277V = 0.18A | 277V = 0.18A | |

DIMENSIONS



| Model | Length (L) | Width (W) | Depth (H) | Weight |
|-------|------------|-----------|-----------|--------|
| 2L | 4.3" | 1.7" | 5.8" | 3 lbs. |
| 4L | 8.7" | 1.9" | 9" | 8 lbs. |
| 7L | 8.7" | 1.9" | 9" | 8 lbs. |

EFFECTIVE PROJECTED AREAS (EPA's)

2L

Front = 0.17 s.f.

Side = 0.07 s.f.

Face = 0.05 s.f.

4L & 7L

Front = 0.54 s.f. (knuckle) / 0.44 s.f. (yoke)

Side = 0.12 s.f. (knuckle) / 0.09 s.f. (yoke)

Face = 0.11 s.f. (knuckle) / 0.12 s.f. (yoke)



Warehouse-Lighting.com
2750 South 163rd St
New Berlin, WI 53151

Warehouse-Lighting.com
Phone: 888-454-4480
requests@warehouse-lighting.com

WHL-MPAL-KFS

Multi-Purpose Area Luminaires Kelvin Field Selectable

PHOTOMETRIC DATA

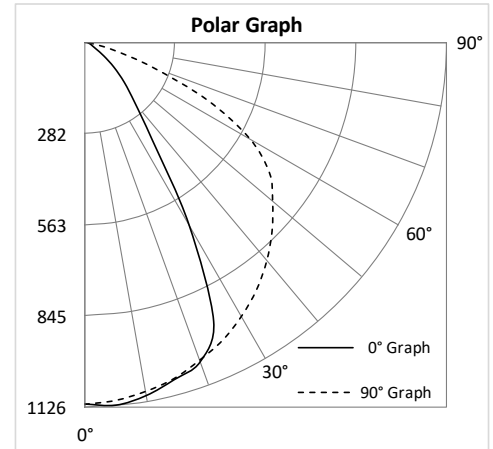
WHL-MPAL-2L-KFS

Luminaire Data

| | |
|-----------------------------|--------------------------------------|
| Description | Multi Purpose Area Light 2L - KFS |
| Total Lumens | 2,002 |
| Input Wattage | 16 |
| Efficacy (lm/W) | 126 |
| Max. Cd. | 1131.47 (337.5H, 6V) |
| IES Classification | Type I |
| Longitudinal Classification | Very Short |

Luminaire Classification Systems (LCS)

| LCS Zone | Lumens | %Lum | |
|--------------|--------------|---------------|-------|
| FL | 0-30 | 438 | 21.9% |
| FM | 30-60 | 488 | 24.4% |
| FH | 60-80 | 74 | 3.7% |
| FVH | 80-90 | 3 | 0.2% |
| BL | 0-30 | 434 | 21.7% |
| BM | 30-60 | 491 | 24.5% |
| BH | 60-80 | 71 | 3.6% |
| BVH | 80-90 | 3 | 0.1% |
| UL | 90-100 | 0 | 0.0% |
| UH | 100-180 | 0 | 0.0% |
| Total | 2,002 | 100.0% | |
| BUG Rating | B1-U0-G0 | | |



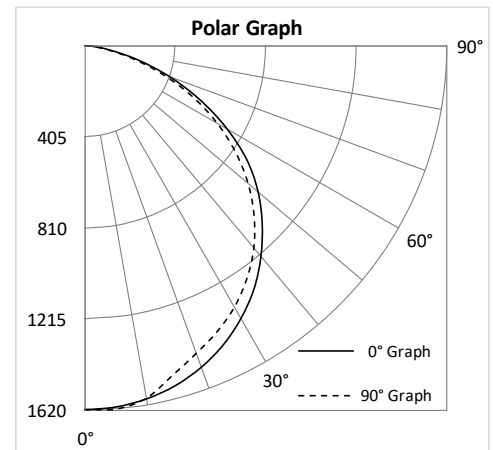
WHL-MPAL-4L-KFS

Luminaire Data

| | |
|-----------------------------|--------------------------------------|
| Description | Multi Purpose Area Light 4L - KFS |
| Total Lumens | 4,436 |
| Input Wattage | 31 |
| Efficacy (lm/W) | 142 |
| Max. Cd. | 1625.57 (112.5H, 5V) |
| IES Classification | Type VS |
| Longitudinal Classification | Very Short |

Luminaire Classification Systems (LCS)

| LCS Zone | Lumens | %Lum | |
|--------------|--------------|--------------|-------|
| FL | 0-30 | 625 | 14.1% |
| FM | 30-60 | 1,190 | 26.8% |
| FH | 60-80 | 372 | 8.4% |
| FVH | 80-90 | 16 | 0.4% |
| BL | 0-30 | 629 | 14.2% |
| BM | 30-60 | 1,205 | 27.2% |
| BH | 60-80 | 383 | 8.6% |
| BVH | 80-90 | 16 | 0.4% |
| UL | 90-100 | 0 | 0.0% |
| UH | 100-180 | 0 | 0.0% |
| Total | 4,436 | 99.9% | |
| BUG Rating | B2-U0-G1 | | |



WHL-MPAL-7L-KFS

Luminaire Data

| | |
|-----------------------------|--------------------------------------|
| Description | Multi Purpose Area Light 7L - KFS |
| Total Lumens | 6,601 |
| Input Wattage | 52 |
| Efficacy (lm/W) | 126 |
| Max. Cd. | 2750.84 (157.5H, 1V) |
| IES Classification | Type VS |
| Longitudinal Classification | Very Short |

Luminaire Classification Systems (LCS)

| LCS Zone | Lumens | %Lum | |
|--------------|--------------|---------------|-------|
| FL | 0-30 | 989 | 15.0% |
| FM | 30-60 | 1,783 | 27.0% |
| FH | 60-80 | 519 | 7.9% |
| FVH | 80-90 | 21 | 0.3% |
| BL | 0-30 | 987 | 15.0% |
| BM | 30-60 | 1,774 | 26.9% |
| BH | 60-80 | 510 | 7.7% |
| BVH | 80-90 | 19 | 0.3% |
| UL | 90-100 | 0 | 0.0% |
| UH | 100-180 | 0 | 0.0% |
| Total | 6,601 | 100.0% | |
| BUG Rating | B2-U0-G1 | | |

