

# GEN 5 LED BULLET FLOOD LIGHT



Architectural Flood and Spot Luminaires

Rev: 06/23/2020

# GEN.5 LED Bullet Flood Light

## 5BF Series

Green Inova®'s New Generation LED Bullet Flood light upgraded with using optical lens delivers exceptional illumination performance, efficacy up to 133 lm/W, and it can replace up to 150W metal halide, energy saving over 80%.

Sealed to keep out dirt, bugs and moisture, the luminaire is constructed with a precision die-cast Aluminum housing for a sleek appearance and maximum durability. The LED driver is mounted in the separated housing promoting a low operating temperature and long life.

The IP65 rated fixture, can be surface mounted directly to electrical boxes or posts with a 1/2" threaded bushing.

Available with spot and flood optics making it ideal for an array of commercial and outdoor applications, including landscape, structural accent, building details and flag pole lighting.





# 5BF SERIES



12W



30W



40W



## Features

- High system efficacy up to 130 LPW
- Available in 3000K, 4000K and 5000K color temperatures
- Die-casting Aluminum heat sink, LED TC<75°C (25°C ambient)
- Excellent thermal management ensures long lifespan
- IP65 rated housing protects LEDs and driver from the elements
- Sealed to keep out dirt, bugs and moisture
- Environmentally friendly surface finish
- Multiple optics allowing flexible designs
- ½" NPT threaded arm with locking swivel
- Various mountings for easy installation
- Reduces energy consumption over 80%

## Housing & Finish

- Die-casting Aluminum body
- Driver is thermally isolated to promote long-life
- High-temperature silicone gaskets
- Bronze finish standard, black and white optional
- RAL & custom colors available

## Optics

- Distribution Narrow: 22° (NEMA 3X3) for spot areas
- Distribution Medium : 35°(NEMA 5X5) for general areas
- Distribution Wide: 60° (NEMA 6X6) for larger areas

## Electrical

- 100-277V, 50/60HZ
- System power factor>90% and THD<20%
- LED driver with non-dimming and 0-10V dimming

## Controls

- 0-10V dimming optional(Only available for 30W and 40W)
- 40W is dimmable standard.

\* 12W is not available to do dimming.

## Applications

- Indoor & outdoor lighting
- Landscape lighting
- Building lighting
- Flag pole lighting

## Mountings

- Wall mount or Ground mount
- Suitable for uplighting & downlighting

## Accessories

- Shroud
- Ground stake
- Mounting base
- Electrical Junction Box

## Compliance

- DLC Premium
- UL/cUL listed, file number E352762
- UL 1598 suitable for wet locations
- LM79, LM80 test reports
- CE & RoHS available

## Ratings

- 150,000 hours per L70 TM-21@25°C
- Temperature rated -30°C to +40°C(-22°F to 104°F)

## Warranty

- 5-year limited system warranty\*

\*Please refer to Green Inova's warranty term for complete information.



Warehouse-Lighting.com  
2750 South 163<sup>rd</sup> St  
New Berlin, WI 53151

[Warehouse-Lighting.com](http://Warehouse-Lighting.com)  
Phone: 888-454-4480  
[info@warehouse-lighting.com](mailto:info@warehouse-lighting.com)

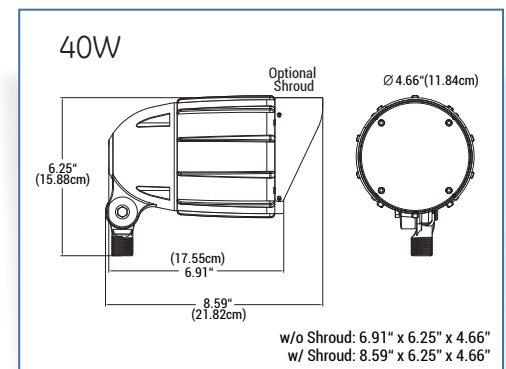
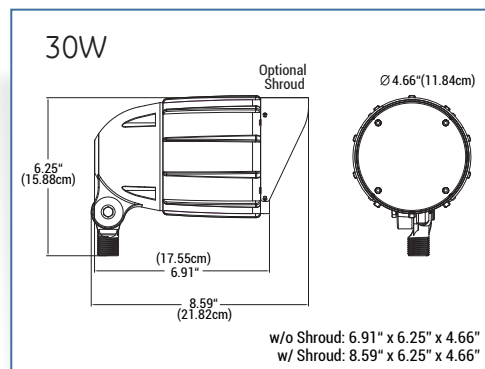
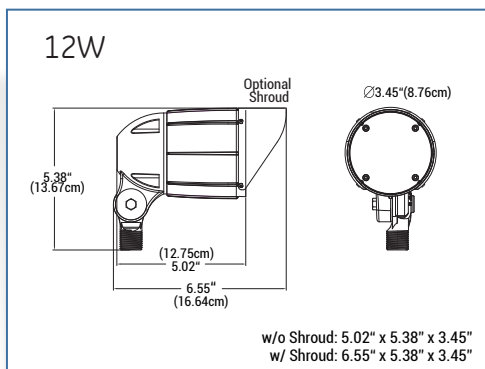


## DLC-QPL List

DLC Model No	Voltage (V)	Wattage (W)	CCT (K)	Lumen (lm)	Efficacy (lm/w)	NEMA Type	Beam Angle	CRI	DLC Classification
5BF12GL30BN	100-277	11.8	3000	1480	125	3H x 3V	Narrow 22°	70	Premium
5BF12GL40BN	100-277	11.8	4000	1480	125	3H x 3V	Narrow 22°	70	Premium
5BF12GL50BN	100-277	11.8	5000	1480	125	3H x 3V	Narrow 22°	70	Premium
5BF12GL30BM	100-277	11.8	3000	1460	124	5H x 5V	Medium 35°	70	Premium
5BF12GL40BM	100-277	11.8	4000	1460	124	5H x 5V	Medium 35°	70	Premium
5BF12GL50BM	100-277	11.8	5000	1460	124	5H x 5V	Medium 35°	70	Premium
5BF12GL30BW	100-277	11.8	3000	1450	123	6H x 6V	Wide 60°	70	Premium
5BF12GL40BW	100-277	11.8	4000	1450	123	6H x 6V	Wide 60°	70	Premium
5BF12GL50BW	100-277	11.8	5000	1450	123	6H x 6V	Wide 60°	70	Premium
5BF30L30BN	100-277	29.1	3000	3870	133	3H x 3V	Narrow 22°	70	Premium
5BF30L40BN	100-277	29.1	4000	3870	133	3H x 3V	Narrow 22°	70	Premium
5BF30L50BN	100-277	29.1	5000	3870	133	3H x 3V	Narrow 22°	70	Premium
5BF30L30BM	100-277	29.1	3000	3820	131	5H x 5V	Medium 35°	70	Premium
5BF30L40BM	100-277	29.1	4000	3820	131	5H x 5V	Medium 35°	70	Premium
5BF30L50BM	100-277	29.1	5000	3820	131	5H x 5V	Medium 35°	70	Premium
5BF30L30BW	100-277	29.1	3000	3780	130	6H x 6V	Wide 60°	70	Premium
5BF30L40BW	100-277	29.1	4000	3780	130	6H x 6V	Wide 60°	70	Premium
5BF30L50BW	100-277	29.1	5000	3780	130	6H x 6V	Wide 60°	70	Premium
5BF40SL30BDN	100-277	38.2	3000	4800	126	3H x 3V	Narrow 22°	70	Premium
5BF40SL40BDN	100-277	38.2	4000	4800	126	3H x 3V	Narrow 22°	70	Premium
5BF40SL50BDN	100-277	38.2	5000	4800	126	3H x 3V	Narrow 22°	70	Premium
5BF40SL30BDM	100-277	38.2	3000	4650	122	5H x 5V	Medium 35°	70	Premium
5BF40SL40BDM	100-277	38.2	4000	4650	122	5H x 5V	Medium 35°	70	Premium
5BF40SL50BDM	100-277	38.2	5000	4650	122	5H x 5V	Medium 35°	70	Premium
5BF40SL30BDW	100-277	38.2	3000	4600	120	6H x 6V	Wide 60°	70	Premium
5BF40SL40BDW	100-277	38.2	4000	4600	120	6H x 6V	Wide 60°	70	Premium
5BF40SL50BDW	100-277	38.2	5000	4600	120	6H x 6V	Wide 60°	70	Premium

Note: For more complete DLC information, please refer to: <http://www.designlights.org/QPL>.

## Dimensions



## Specification Summary

Typical Model	5BF12GL30BM	5BF12GL50BM	5BF30L30BM	5BF30L50BM	5BF40SL30BDM	5BF40SL50BDM
Power (W)	12W	12W	30W	30W	40W	310W
Lumen Output (LM)	1,460	1,460	3,820	3,820	4,650	4,650
Efficacy (lm/W)	124	124	131	131	122	122
Color Temperature (CCT)	3000K	5000K	3000K	5000K	3000K	5000K
Voltage (V)	100-277	100-277	100-277	100-277	100-277	100-277
Dimming	Not Dimmable	Not Dimmable	Not Dimmable	Not Dimmable	Dimmable	Dimmable
Power Factor	>90%	>90%	>90%	>90%	>90%	>90%
THD	<20%	<20%	<20%	<20%	<20%	<20%
CRI	70	70	70	70	70	70
NEMA Type	5H x 5V	5H x 5V	5H x 5V	5H x 5V	5H x 5V	5H x 5V
Beam Angle (°)	35°	35°	35°	35°	35°	35°
Dimensions (in)	5.02" x 5.38" x 3.45"		6.91" x 6.25" x 4.66"		6.91" x 6.25" x 4.66"	
Optics	Narrow 22° / Medium 35° / Wide 60° Optional					
Chips	Seoul 3030					
Driver	UL Listed Isolated Driver, 100-277V, 50/60Hz					
Certifications	DLC Premium, cULus, FCC					
Reports	IES, Photometric, LM79, LM80					
Controls	Dimmable for 30W and 40W Only (*12W is Not Dimmable)					
Life (L70, H)	150,000 hours					
Warranty	5-year limited system warranty					

### Notes:

1. DesignLights Consortium® (DLC) qualified product. Please check the DLC Qualified Products List at [www.designlights.org](http://www.designlights.org) to confirm which versions are qualified.
2. Product performance may vary depending on model and end user environment.
3. Please refer to Green Inova's warranty term for complete information.

## Ordering Information

Order Example: 5BF40L30BDM

Gen5. LED Bullet Flood Light, 40W, 100-277V, 3000K, Bronze Finish, Dimmable, Medium 35°.

Series	Wattage	Voltage	CCT	Finish	Controls	Beam Angle
5BF= Gen5. LED Bullet Flood Light	12G= 12W 30= 30W 40S= 40W	L= 100-277V	30= 3000K 40= 4000K 50= 5000K	B= Bronze BK= Black W= White	[Blank]= None D= Dimmable	N= Narrow 22° M= Medium 35° W= Wide 60°

### NOTES:

1. Beam angle must be specified when ordering.
2. Specify finish color to match fixture, e.g. B = Bronze (Std.)
3. Dimmable is 0-10V dimming (Only available for 30W and 40W).
4. All accessories sold separately.

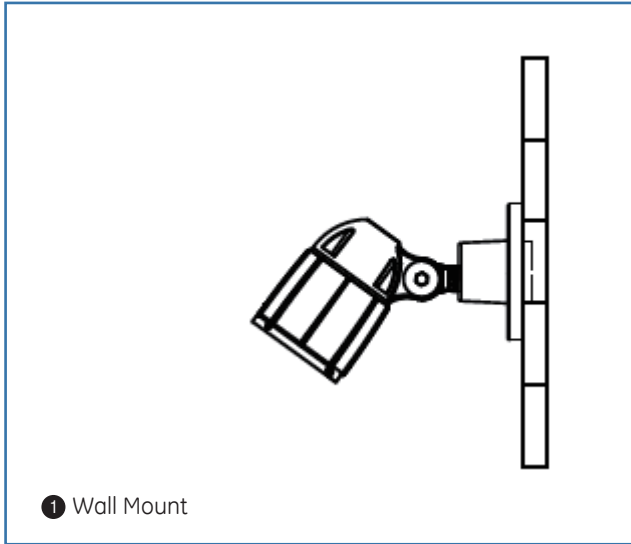
\* Special Order - Ask at your Sales Representative for Availability and Details.



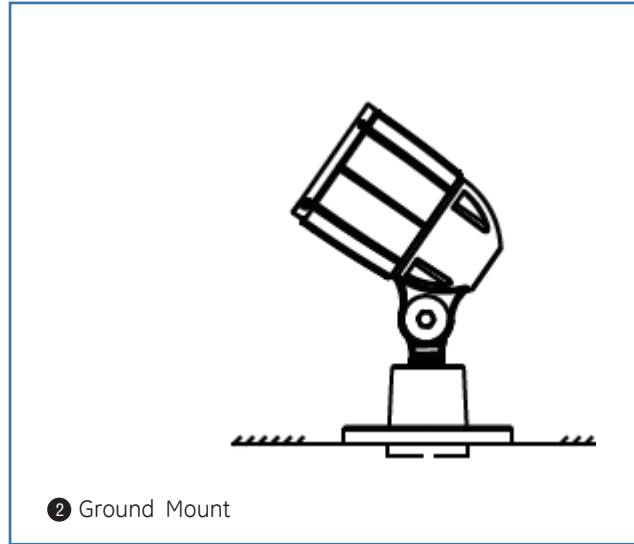
# 5BF SERIES

## Installation Options

Our LED Bullet Flood Lights come with 1/2" NPT threaded arm with locking swivel for easy wall or ground installation to create an upright or downlight effect, can be mounted directly to electrical boxes or to poles with 1/2" threaded inserts.



1 Wall Mount



2 Ground Mount

**⚠** \*This product must be installed in accordance with the applicable installation code by a person familiar with the construction and operation of the product and the hazards involved.

## Accessories



1 Ground Stake (Sold Separately)



2 Electrical Junction Box (Sold Separately)



3 Mounting Base (Sold Separately)



4 Shroud (Sold Separately)

\*All accessories sold separately.

## Packing Information

Wattage	Case QTY	Gross Weight	Dimension
12W	8PCS	6.82kgs / 15.04lbs	35*29*35cm / 14*12*14in
30W	8PCS	12.54kgs / 27.65lbs	39*36*45cm / 15*14*18in
40W	8PCS	15.22kgs / 33.55lbs	39*36*45cm / 15*14*18in

\*All accessories could be packed together with fixture except the electrical junction box which has to be packed separately.