



Type IC, Wet & Air-Tight

DESCRIPTION

2" Square Regressed Gimbal LED
 With Integral Driver In Connection Box
 Unique & Patented Design:
 Gimbal Yet Air-Tight Without Housing Needed

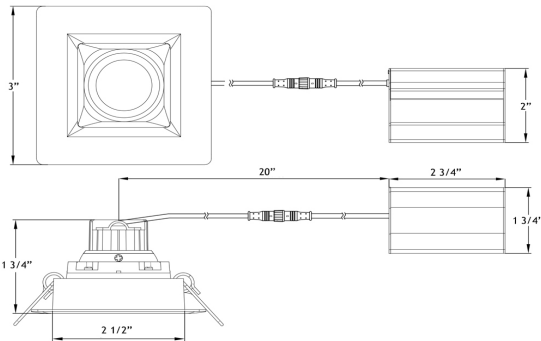
FEATURES & BENEFITS

1 3/4" Deep - Install Where Ceiling Space Is Limited
 Type IC Rated - No Housing Required
 Fast & Easy To Install - Save On Labor
 Driver Inside Connection Box - No Junction Box Needed
 Directional Beam - Great for Sloped Ceilings and Artwork
 CRI 90+ for True Color Rendering

MOUNTING

Cut Hole In Ceiling And Snap Fixture In Opening
 With Attached Spring Clips
 Ceiling Clearance Required:
 1 1/2" With Driver Remotely Installed
 5" When Driver Is Next To The Fixture

DIMENSIONS: ID 2 1/2" OD 3" SQ Cut Out 2 1/2" to 2 3/4"



ORDERING GUIDE

Example 3000K WH **LSG2-30K-HO-WH**

LSG2	CCT		Trim Finish	
	- xxK	- HO	- xx	
2700K	- 27K		- WH	White
3000K	- 30K		- BK	Black
3500K	- 35K			
4100K	- 41K			
5000K	- 50K			

LSG2-HO

2" Square Regressed Gimbal LED 5.5W

Project: _____

Location: _____

Cat #: _____ Qty: _____

Notes: _____

SPECIFICATION	
Applications	Cabinets, Recessed Alcoves, Slopped Ceilings
Energy Used	5.5 W
Color Temperature (K)	2700 3000 3500 4000 5000
Light Output (lm)	450 490 500 530 550
Beam Angle	24° Beam with 20° tilt and 360° rotation
CRI	90 +
Default Driver Input	120V AC Triac Dimmable
Optional Driver Input	120V-347V AC 0-10V Dimmable
Power Factor	0.95
Junction Box Wire Capacity	Maximum of 3 No 12 AWG
Approved Location	Insulated Ceiling & Wet Locations
IP Rating	IP 54
Air Tight	Yes
Ambient Temperature	-40°F (-40°C) to +104°F (+40°C)
Projected Life	70% Light Output at 50,000 Hours
Certification	cULus Energy Star T24
Warranty	10 Year Residential / 5 Year Commercial

AVAILABLE TRIMS



White



Black

120V TRIAC Dimmable Driver Included

Optional 120V - 347V Driver



0-10V Dimmable
 Cat # **LLL-LD0612T**

ACCESSORIES

Sold Separately



Low Voltage Extension Cables
 6ft - cat # **EXC6**, 20ft - cat # **EXC20**
 Max 40 ft Allowed. FT4 / CMR rated



Rough-In Plates - cat # **RIP212**

COMPLIANCE



**Type IC
 Air-Tight**

USA Patent # US 10,344,952 B2 | Canada Patent # 2,967,954

Lighting Supplier Since 2003



WAREHOUSE-LIGHTING.COM

Warehouse-Lighting.com

2750 South 163rd St
 New Berlin, WI 53151

Warehouse-Lighting.com

Phone: 888-454-4480

info@warehouse-lighting.com