

Type IC & Air-Tight



DESCRIPTION

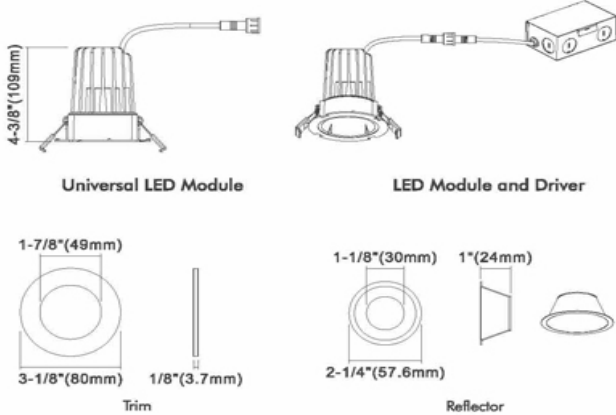
2" Recessed LED With Integral Driver In Connection Box
Interchangeable Reflectors, Trims & Lens Available

FEATURES & BENEFITS

- 1,000 Lm Output** - Designer Series High Performance Fixture
- CRI 90+** for True Color Rendering
- 4 3/8" Thick** - Install Where Ceiling Space Is Limited
- Type IC Rated** - No Housing Required
- Fast & Easy To Install** - Save On Labor
- Driver Inside Connection Box** - No Junction Box Needed
- Suitable for steam showers and saunas with shower trim 2RST**

DIMENSIONS: ID 1 7/8" ; OD 3 1/8" ; Cut Out Needed For Driver 2 3/4"

Ceiling Clearance Required: 4" 120V Triac Dim Driver Included



ACCESSORIES

- Sold Separately
- Mounting Plate cat # **MP234**
- Jumper Cables 10 ft cat # **JC10**
- Goof Ring OD 4 1/2"
White cat # **GR3** Black cat # **GR3-BK**

ORDERING GUIDE

	CCT	Reflector	Trim
LED-2-S15W	- xxK	- 2RRxx	- 2xxx
Example:			
LED-2-S15W	-30K	- 2RRWH	- 2RTWH
Default beam angle is 38°	3000K	Reflector	Trim
Optional beam angle 24°		White	White

LED-2-S15W

2" Recessed LED 15W High Output Designer Series

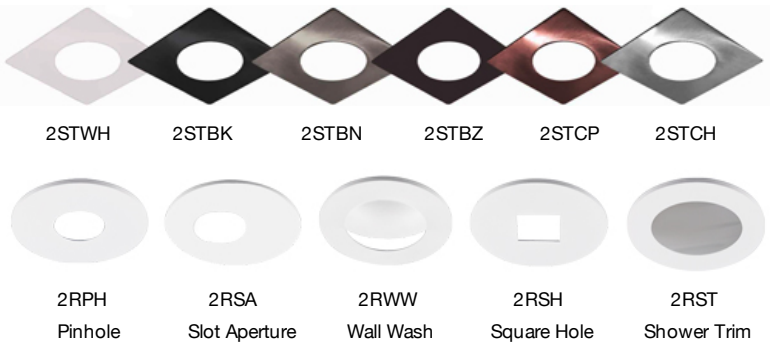
Project: _____

Location: _____

Trim: _____ Reflector: _____ Qty: _____

Notes: _____

SPECIFICATION	
Applications	Commercial & High End Residential
Energy Used	15 W
Color Temperature (K)	2700 3000 4000
Light Output (lm)	980 1000 1020
Halogen Equivalent	100 W
Beam Angle	38° (default) or 24° (custom)
CRI	90 +
Driver Input	120V AC 50/60 Hz
J-Box Volume	6.53 in ³ / 2 in 2 out 12AWG
Dimming	TRIAC Dimmers 10% - 100%
Approved Location	Insulated Ceiling & Damp Locations / Wet with 2RST trim
Air Tight	Yes
Ambient Temperature	-4°F (-20°C) to +104°F (+40°C)
Projected Life	70% Light Output at 50,000 Hours
Certification	cETLus, Energy Star, T24
Warranty	5 Year



Other Colors of Reflectors and Trims Available By Custom Order

Lighting Supplier Since 2003



WAREHOUSE-LIGHTING.COM

Warehouse-Lighting.com
2750 South 163rd St
New Berlin, WI 53151

Warehouse-Lighting.com
Phone: 888-454-4480
info@warehouse-lighting.com