

Series 207

LED Shallow Economy Wraparound

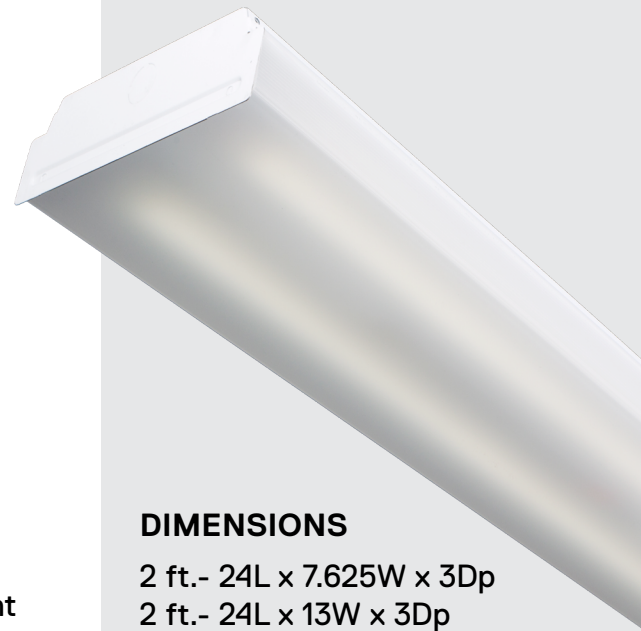
A shallow economy designed wrap around LED luminaire available for the use in either two or four foot lengths. Low initial cost, maintenance free, this series also delivers excellent brightness control.

CONSTRUCTION

Completely die formed from heavy gauge cold rolled steel. Design embossed ends are locked and secures to the housing. Wireway cover snaps on or off without tools.

DIFFUSERS

A crystal clear or frosted diffuser extruded from 100% virgin acrylic that will maintain its color under normal conditions, indefinitely. Linear prisms on the interior side walls direct the light ceilingwards, which can then refract back down, The bottom is composed of an evenly spaced pattern of conical prisms yielding low brightness, glarefree diffused light. Diffuser is lift and shift for ease of relamping and cleaning and is capable of hanging down from either side of the housing.



DIMENSIONS

- 2 ft.- 24L x 7.625W x 3Dp
- 2 ft.- 24L x 13W x 3Dp
- 4 ft.- 48L x 7.625W x 3Dp
- 4 ft.- 48L x 13W x 3Dp

FEATURES & BENEFITS

- Suitable for individual or continuous run installations.
- May be surface or pendant mounted.
- Various lenses lie on the side flanges of fixture. Six and eight foot units have a steel mullion to join two individual diffusers.
- Choice of LED arrays and drivers to meet a range of full distribution output and wattage choices.
- 3/4" knockouts provided on each end cap.
- ARRA Compliant
- IC Rated for dry and damp locations
- CRI >80 (Consult for 90 CRI options)
- >50,000 hrs of L70 LED life
- 0-10 Volt dimmable 120-277V (120 ELV/Triac avail)
- Power factor >0.90
- 5 year warranty



Intertek



ORDER INFORMATION

Factory at your fingertips. Fill in the blanks to create your part number or create a custom configuration.

SERIES	LENS MATERIAL		WIDTH		SIZE	WATTAGE & LUMENS*		DRIVER		CCT/CRI					
207	A	Clear Prismatic Acrylic #12 Pattern	2	7.625"	24L	Y15W	15 Watts, 1950 Lumens	DMV	0-10V Dimming	30K	3000K 80 CRI				
						Y20W	20 Watts, 2600 Lumens								
						Y25W	25 Watts, 3250 Lumens								
			FR	Frosted Prismatic Acrylic #12 Pattern		4	13"		48L	Y33W	33 Watts, 4290 Lumens	G120**	ELV/Triac Dimming at 120V only	35K	3500K 80 CRI
										Y15W	15 Watts, 1950 Lumens				
										Y20W	20 Watts, 2600 Lumens				
	Y25W	25 Watts, 3250 Lumens	D1MV	0-10V Dimming (dim to 1%)	40K	4000K 80 CRI									
	Y30W	30 Watts, 3900 Lumens													
	Y35W	35 Watts, 4550 Lumens													
	Y40W	40 Watts, 5200 Lumens		50K	5000K 80 CRI										
	Y45W	45 Watts, 5850 Lumens													
	Y50W	50 Watts, 6500 Lumens													
Y54W	54 Watts, 7020 Lumens														

Additional Options

OPTIONS			
WP	6ft. 3 wire 18 gauge whip	HC101	Chain kit w/20ft chain and (6) S Hooks
WP4	6ft. 4 wire 18 gauge whip (non dimming EM)	HC204	Chain kit w/(2) 10' chain and (2) Tong hangers
WP5W	6ft. 5 wire 18 gauge whip	SCS24WH	(1) Stem white kit w/(1) 24" stem, 1 canopy, and mntg hardware for 4ft fixture
WP6W	6ft. 6 wire 18 gauge whip (dimming EM)	2SCS24WH	(2) Stems white kit w/(2) 24" stems, (2) canopies, and mntg hardware for 4ft fixture
EM14***	14W emergency battery backup		
MDT4	On/Off external mount sensor		
MDD4	Daylight/Dimming external mount sensor		
MDB4	Bi-level external mount sensor		

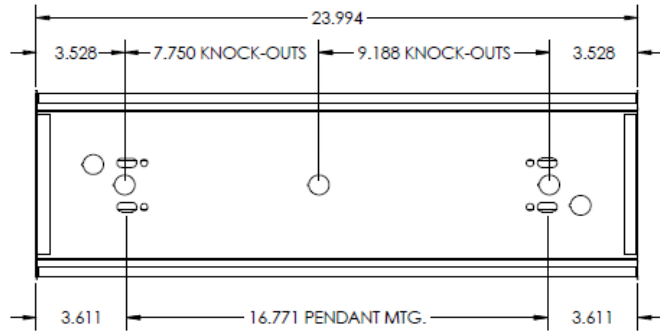
Note:

- 1. Consult factory for 90 CRI options and availability.
- *Programmable LED drivers allow custom configured wattages and corresponding lumens.
- **Consult for availability with select wattage packages.
- ***Consult for use in conjunction with G120 driver

NOTE: Values shown are typical or recorded under standardized conditions at 25°C. Actual performance may vary based environment or application. Specifications are subject to change without notice. We reserve the right to change design, materials, LED's and finish in any way that will not alter installed appearance or reduce function and performance.

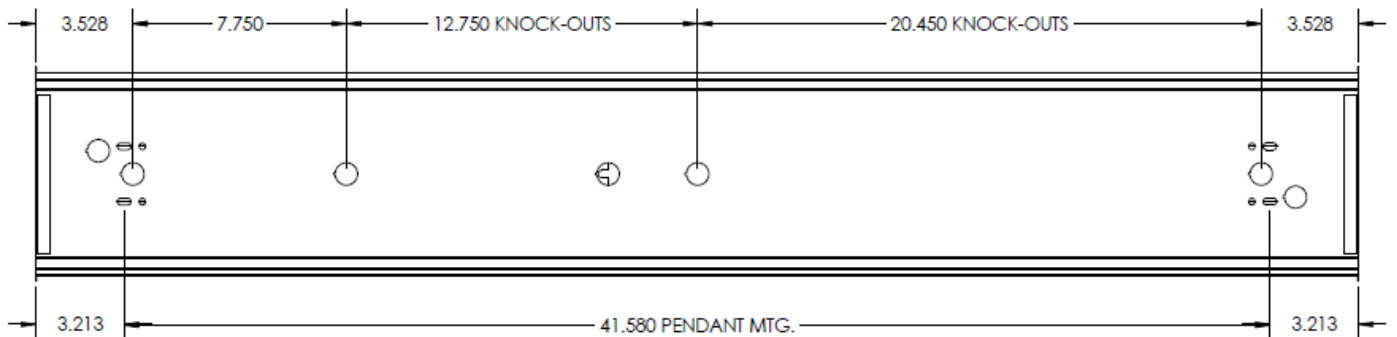
DRAWINGS & IMAGES

24L Back

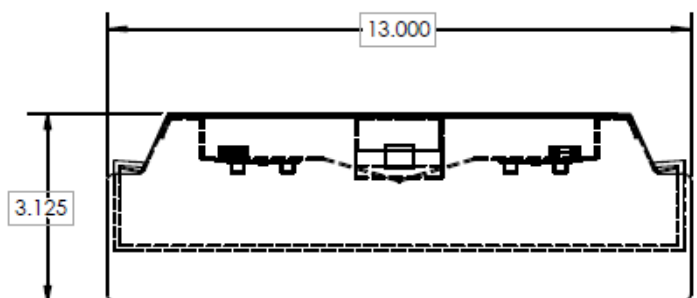
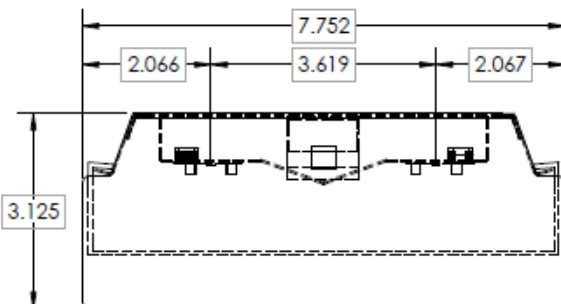


SERIES	DESCRIPTIONS
0207A224L	Replacement Acrylic lens for 24" X 7.625"W
0207A424L	Replacement Acrylic lens for 24" X 13"W
0207A248L	Replacement Acrylic lens for 48" X 7.625"W
0207A448L	Replacement Acrylic lens for 48" X 13"W
0207FR224L	Replacement Frosted lens for 24" X 7.625"W
0207FR424L	Replacement Frosted lens for 24" X 13"W
0207FR248L	Replacement Frosted lens for 48" X 7.625"W
0207FR448L	Replacement Frosted lens for 48" X 13"W

48L Back

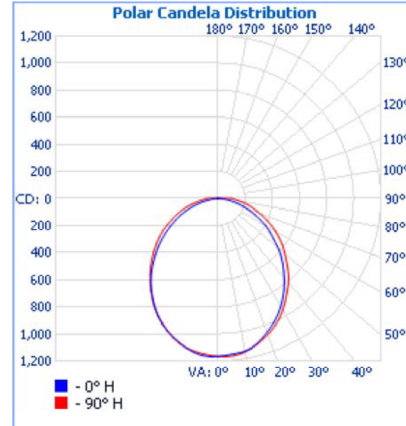
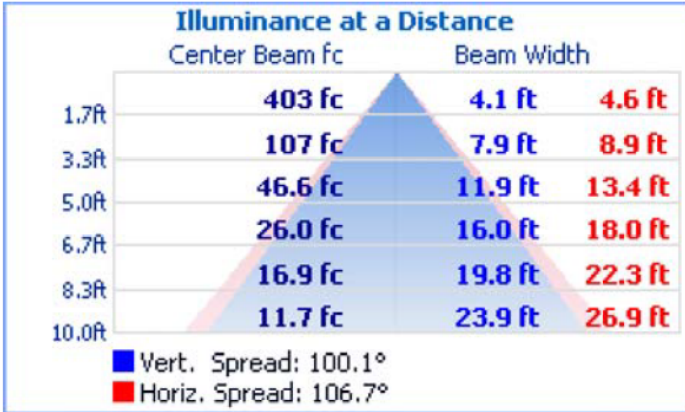


End



PHOTOMETRICS

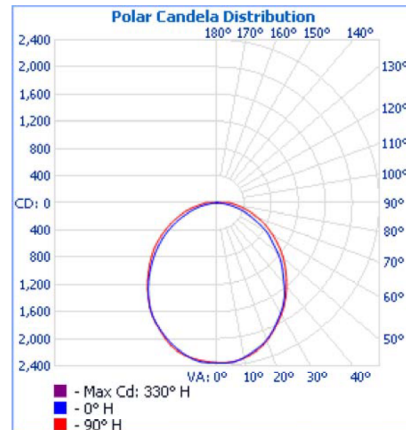
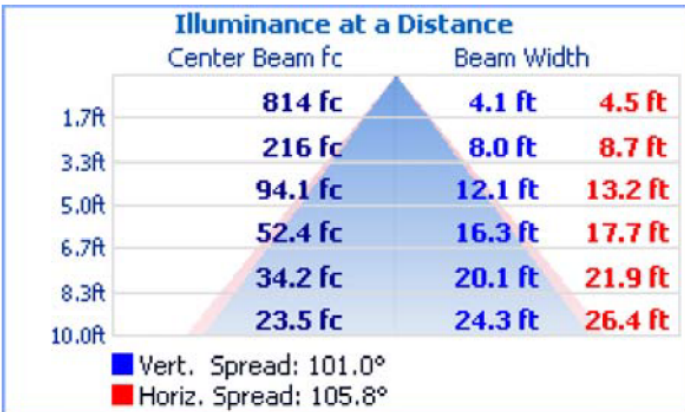
207FR224LS28W3100LDMV40K



Zonal Lumen Summary

Zone	Lumens	% Luminaire
0-30	885.0	28.3%
0-40	1,423.3	45.5%
0-60	2,432.4	77.8%
60-90	678.7	21.7%
70-100	335.2	10.7%
90-120	15.5	0.5%
0-90	3,111.1	99.5%
90-180	15.5	0.5%
0-180	3,126.6	100%

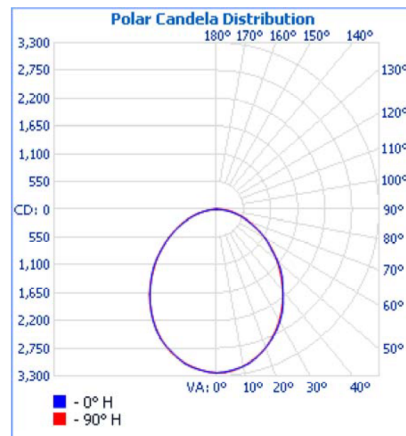
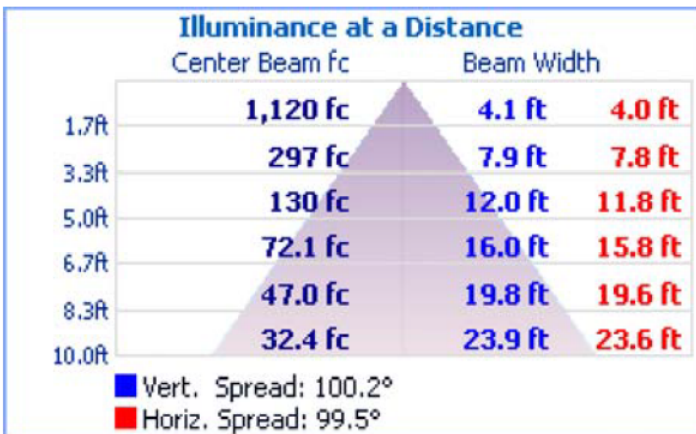
207FR248LS57W6300LDMV40K



Zonal Lumen Summary

Zone	Lumens	% Luminaire
0-30	1,792.0	28.4%
0-40	2,884.3	45.7%
0-60	4,925.8	78.1%
60-90	1,355.8	21.5%
70-100	661.0	10.5%
90-120	29.2	0.5%
0-90	6,281.6	99.5%
90-180	29.2	0.5%
0-180	6,310.8	100%

207FR448LS65W8100LDMV40K



Zonal Lumen Summary

Zone	Lumens	% Luminaire
0-30	2,426.2	29.8%
0-40	3,883.8	47.8%
0-60	6,525.0	80.3%
60-90	1,590.0	19.6%
70-100	713.5	8.8%
90-120	13.8	0.2%
0-90	8,115.0	99.8%
90-180	13.8	0.2%
0-180	8,128.8	100%

CATALOG#: _____
 PROJECT: _____
 TYPE: _____

DLC LISTED ITEMS



Item Number - 2ft	Item Number - 4ft
207A224LY15WDMV30K0000	207A248LY15WDMV30K0000
207A224LY15WDMV35K0000	207A248LY15WDMV35K0000
207A224LY15WDMV40K0000	207A248LY15WDMV40K0000
207A224LY15WDMV50K0000	207A248LY15WDMV50K0000
207A224LY20WDMV30K0000	207A248LY20WDMV30K0000
207A224LY20WDMV35K0000	207A248LY20WDMV35K0000
207A224LY20WDMV40K0000	207A248LY20WDMV40K0000
207A224LY20WDMV50K0000	207A248LY20WDMV50K0000
207A224LY25WDMV30K0000	207A248LY25WDMV30K0000
207A224LY25WDMV35K0000	207A248LY25WDMV35K0000
207A224LY25WDMV40K0000	207A248LY25WDMV40K0000
207A224LY25WDMV50K0000	207A248LY25WDMV50K0000
207A224LY33WDMV30K0000	207A248LY30WDMV30K0000
207A224LY33WDMV35K0000	207A248LY30WDMV35K0000
207A224LY33WDMV40K0000	207A248LY30WDMV40K0000
207A224LY33WDMV50K0000	207A248LY30WDMV50K0000
	207A248LY35WDMV30K0000
	207A248LY35WDMV35K0000
	207A248LY35WDMV40K0000
	207A248LY35WDMV50K0000
	207A248LY40WDMV30K0000
	207A248LY40WDMV35K0000
	207A248LY40WDMV40K0000
	207A248LY40WDMV50K0000
	207A248LY45WDMV30K0000
	207A248LY45WDMV35K0000
	207A248LY45WDMV40K0000
	207A248LY45WDMV50K0000
	207A248LY50WDMV30K0000
	207A248LY50WDMV35K0000
	207A248LY50WDMV40K0000
	207A248LY50WDMV50K0000
	207A248LY54WDMV30K0000
	207A248LY54WDMV35K0000
	207A248LY54WDMV40K0000
	207A248LY54WDMV50K0000