



SLIM WALL PACK

LED ADJUSTABLE WALL PACK



407-478-3759
www.ilp-inc.com

FEATURES

- Low profile die-cast aluminum housing
- Bronze polyester powder coat finish (std.)
- Custom and factory select colors available¹
- Isolated optical compartment with tempered glass lens and silicone gaskets
- 90° adjustable Type IV distribution or Optional IDA fixed model²
- Quick mount bracket standard for easy surface mount installation
- Three ½" coin plugs on sides for conduit or electronic photocell
- 120-277V Universal Voltage or 347V-480V High Voltage³
- Achieve code compliance with a fixed down PIR sensor with fully adjustable distribution aiming
- 0-10V Dimmable Driver (std.)
- Deep box 10W CEC Title 20 compliant battery backup & cold weather battery⁴
- Optional Field Adjustable Output device (FAO) allows individual luminaire lumen output control
- 3000K, 4000K & 5000K CCT Selectable via Integral selector
- >70 Color Rendering Index (CRI)
- Calculated L70 >100,000 hrs @ 25°C per TM-21-11
- IP65 Rated Luminaire
- 5 Year Warranty (std); 10 Year Warranty Optional
- ETL Listed for Wet Locations
- DesignLights Consortium® Premium Qualified Luminaire

¹Contact factory for pricing and availability ²Fixed 3000K CCT model only
³347-480V available in 5L, 8L, 10L Lumen Packages Only



Small Housing 2L - 3L



Large Housing 5L-10L
Shown with Sensor Box



*With FAO Option



SUITABLE APPLICATIONS

- Pedestrian Walkways
- Building Entrances
- Multi-use Facilities
- Industrial Facilities
- Parking Lots
- Storage Facilities
- Institutions
- Schools
- Loading Docks

ORDERING GUIDE:

SERIES	LUMENS	DRIVER	CCT	FINISH	WARRANTY
SWP Slim Wall Pack	2L	U 120-277V	CCTS Selectable CCT (5000K, 4000K, 3000K) 30 ³	BRZ Bronze	BLANK 5 Year
	3L	HV ¹ 347-480V		BLK ⁴ Black	
	5L			WHT ⁴ White	
	8L			SLV ⁴ Silver	
	10L				

OPTIONS

Factory Installed		Ship with Accessories	
SP1 ^{2,6}	10kA Max Univolt Surge Protection	FAO10V	Field Adjustable Output via 0-10V Wires
SP2 ^{2,6}	20kA Max 120-277V Surge Protector	SWP-ARM3-xxx	Pole Mount Arm Kit, 3" long (xxx=BRZ, BLK, WHT, SLV)
IDA ³	Dark Sky IDA Fixture Seal of Approval	SWP-BPS-xxx	18x9 Beauty Plate Kit, Small (xxx=BRZ, BLK, WHT, SLV)
LEDBB ^{1,2}	10W UNIV Battery Backup (32°-100°F)	SWP-BPL-xxx	18x9 Beauty Plate Kit, Large (xxx=BRZ, BLK, WHT, SLV)
LEDBBCT ^{1,2}	14W UNIV CT Battery Backup (-4°-122°F)	+PCU	Electronic UNIV Photocell (120-277V)
Controls			
PCU ^{2,10}	Electronic UNIV Photocell (120-277V)		
FAO ¹⁰	Field Adjustable Output via 0-10V Wires		
USB/Lx ^{2,5,9,10}	Bluetooth User Select Bi-Level Dim Occ. Sensor; (x= Mounting height; 2=8', 3=20')		

⁵5L, 8L, 10L Lumen Packages Only

²Not available with HV option

³Fixed to 3000K CCT and no angle adjustability for IDA Compliance. Must choose 30 CCT and IDA option to qualify

⁴Contact Factory for pricing and availability

⁵Does not qualify for DLC

⁶SP1/SP2 specified in combination with battery backups, separate surge protectors are required per electrical line

⁷Contact Factory for more details

⁸Requires additional surge protection (SP1,SP2, SP480V2);

For additional details see general terms and conditions

⁹Requires bluetooth enabled device for programming (provided by others)

¹⁰Only 1 allotted for controls options, including ship with PCU or FAO options



QUICK SHIP ITEMS:

PART

SWP-2L-U-CCTS-BRZ	Slim Wall Pack Small, 2,200 Lumens, 3K/4K/5K CCT Selectable, Bronze Finish
SWP-3L-U-CCTS-BRZ	Slim Wall Pack Small, 3,000 Lumens, 3K/4K/5K CCT Selectable, Bronze Finish
SWP-5L-U-CCTS-BRZ	Slim Wall Pack Large, 5,000 Lumens, 3K/4K/5K CCT Selectable, Bronze Finish
SWP-8L-U-CCTS-BRZ	Slim Wall Pack Large, 8,000 Lumens, 3K/4K/5K CCT Selectable, Bronze Finish
SWP-10L-U-CCTS-BRZ	Slim Wall Pack Large, 10,000 Lumens, 3K/4K/5K CCT Selectable, Bronze Finish
SWP-5L-U-CCTS-BRZ-LEDBB	Slim Wall Pack Large, 5,000 Lumens, 3K/4K/5K CCT Selectable, Bronze Finish, 10W CEC Emergency
SWP-10L-U-CCTS-BRZ-LEDBB	Slim Wall Pack Large, 10,000 Lumens, 3K/4K/5K CCT Selectable, Bronze Finish, 10W CEC Emergency
+SWP-BPS-BRZ KIT	Beauty Plate kit for SWP 2L and 3L fixtures, powder coat Bronze
+SWP-BPL-BRZ KIT	Beauty Plate kit for SWP 5L, 8L, and 10L fixtures, powder coat Bronze
FAO10V	Field Adjustable Output - 7 level selection connected to 0-10V dimming wires
+PCU	Electronic UNIV Pencil Photocell (120-277V)



SLIM WALL PACK

LED ADJUSTABLE WALL PACK

LED SYSTEMS INFO ¹	3000K			4000K			5000K			Watts ²	Replaces	DLC Listing
Part Numbers	Lumens	Efficacy	BUG Rating	Lumens	Efficacy	BUG Rating	Lumens	Efficacy	BUG Rating			
SWP-2L-U-CCTS	2,445 lm	121 lm/W	B1-U0-G0	2,649 lm	139 lm/W	B1-U0-G0	2,493 lm	125 lm/W	B1-U0-G0	20 W	100W MH	Premium
SWP-3L-U-CCTS	3,125 lm	133 lm/W	B2-U0-G0	3,310 lm	145 lm/W	B2-U0-G0	3,226 lm	136 lm/W	B2-U0-G0	24 W	150W MH	Premium
SWP-5L-U-CCTS	5,323 lm	133 lm/W	B2-U0-G0	5,674 lm	147 lm/W	B2-U0-G0	5,515 lm	137 lm/W	B2-U0-G0	40 W	175W MH	Premium
SWP-8L-U-CCTS	8,173 lm	137 lm/W	B3-U0-G1	8,678 lm	150 lm/W	B3-U0-G1	8,455 lm	141 lm/W	B3-U0-G1	60 W	250W MH	Premium
SWP-10L-U-CCTS	10,092 lm	135 lm/W	B3-U0-G1	10,581 lm	147 lm/W	B3-U0-G1	10,335 lm	138 lm/W	B3-U0-G1	75 W	320W MH	Premium

¹LED Chips are frequently updated therefore values are nominal
²Electrical data at 25C (77F). Actual wattage may differ by +/-10%.

FAO LUMEN OUTPUT SETTINGS

SWP-2L-U-CCTS-BRZ	FAO Position	0	1	2	3	4	5	6	7
	Input Power (w)	20	17	14	12	9	7	4	2
	* Approx Lumens @3000K	2400	2112	1800	1776	1224	912	528	168
	* Approx Lumens @4000K	2700	2376	2025	1998	1377	1026	594	189
	* Approx Lumens @5000K	2500	2200	1875	1850	1275	950	550	175
SWP-3L-U-CCTS-BRZ	FAO Position	0	1	2	3	4	5	6	7
	Input Power (w)	24	20	17	14	11	8	5	2
	* Approx Lumens @3000K	3240	2786	2398	1976	1523	1069	616	107
	* Approx Lumens @4000K	3480	2993	2575	2123	1636	1148	661	115
	* Approx Lumens @5000K	3360	2890	2486	2050	1579	1109	638	111
SWP-5L-U-CCTS-BRZ	FAO Position	0	1	2	3	4	5	6	7
	Input Power (w)	40	33	28	24	19	14	8	3
	* Approx Lumens @3000K	5400	4644	3996	3456	2754	1998	1080	351
	* Approx Lumens @4000K	5800	4988	4292	3712	2958	2146	1160	377
	* Approx Lumens @5000K	5600	4816	4144	3584	2856	2072	1120	364
SWP-8L-U-CCTS-BRZ	FAO Position	0	1	2	3	4	5	6	7
	Input Power (w)	65	57	48	40	33	23	14	6
	* Approx Lumens @3000K	8100	7209	6318	5427	4374	3159	1863	648
	* Approx Lumens @4000K	8700	7743	6786	5829	4698	3393	2001	696
	* Approx Lumens @5000K	8400	7476	6552	5628	4536	3276	1932	672
SWP-10L-U-CCTS-BRZ	FAO Position	0	1	2	3	4	5	6	7
	Input Power (w)	80	74	63	52	40	29	18	7
	* Approx Lumens @3000K	10000	9500	8000	6900	5400	4000	2300	850
	* Approx Lumens @4000K	10875	10331	8700	7504	5873	4350	2501	924
	* Approx Lumens @5000K	10500	9975	8400	7245	5670	4200	2415	893

*FAO device shipped set at maximum setting #0
 Values are based on the highest performance package for each fixture size.



SLIM WALL PACK

LED ADJUSTABLE WALL PACK

SPECIFICATIONS

CONSTRUCTION

Slim Wall Pack luminaire features a sleek low-profile die-cast aluminum housing with matching housing styles for both a small and medium size housings. Slim Wall Pack is protected with a durable Bronze polyester powder coat finish to withstand extreme weather changes without cracking or peeling (Consult factory for availability of alternate finishes). The Adjustable head pivots up to 90° to allow for more forward throw illumination (IDA option eliminates the adjustability). Universal quick mount bracket eliminates the need to drill through the luminaire housing ensuring reliable IP65 ingress protection and fast hands-free mounting via hanging mechanism. One-piece silicone gasket seals door and back box.

ELECTRICAL

High-performance driver features over-voltage, under-voltage, short circuit and over temperature protection. 0-10V dimming (10% - 100%) standard. Standard Universal Voltage (120-277 Vac) Input 50/60 Hz or optional High Voltage (347-480 Vac). L70 >100,000 hrs. in accordance of IESNA TM-21-11 Projected values at 25°C Ambient temperature. Total harmonic distortion: <20%. Power factor: >0.90. Input power stays constant over life. Minimum 2.5kV surge rating. Optional Field Adjustable Output (FAO) accessory allows for individual lumen output control with 7 adjustable light levels per lumen package. 10W CEC Title 20 compliant battery backup & cold weather battery option available. 120-277V 10W CEC Title 20 compliant battery backup & cold weather battery options provide 90 minutes of constant power to the LED system, ensuring code compliance.

INSTALLATION

The Slim Wall Pack features a universal quick mount bracket, allowing for effortless installation to standard 3 1/2" to 4" round/octagonal, 4" square, single gang, masonry junction boxes or vertical surface mounting (secured by four lag bolts (supplied by others)). 1/2" NPT conduit entry points allow for surface-conduit or thru-branch wiring. Back box is an authorized electrical wiring compartment. Fixture leads exit the back of the casting through a poke-in water-tight grommet. Integral CCT selector allows for toolless CCT tuning at installation.

OPTICS

The isolated silicone sealed optical chamber utilizes a proprietary high-reflective white molded baffle. Optical assembly features an impact-resistant tempered glass lens and meets IESNA requirements for full cutoff compliance. Available in five lumen packages and CCT selectable via an integral CCT selector switch (3000K, 4000K, & 5000K). The Adjustable head pivots up to 90° to allow for more forward throw illumination. IDA option is fixed 3000K and does not allow for head pivoting (full-cutoff).

THERMAL

The Slim Wall Pack features an array of High-efficacy mid-power LED's on a metal core circuit board. The LED board is mounted directly to a cast aluminum housing with heat dissipating fins to provide excellent thermal performance extending the life of electronic components. Operating Ambient Temperature: -40°C to +40°C (-40°F to 104°F) Operating temperature for standard battery backup: 0°C to +50°C (+32°F to +122°F), Cold Weather battery backup: -20°C to +50°C (-4°F to +122°F).

CONTROLS

Three 1/2" NPT apertures allow for field or factory installed 120-277V universal electronic photocell. Optional PIR sensors available installed in added sensor housing (see page 3 for more details). Sensors provide optional on/off control, photocell capability, bi-level dimming, and bluetooth configuration allows for on-site modifications. (See page 4 for more information)

CERTIFICATIONS

UL Listed for wet locations. Tested in accordance with IESNA LM-79 and LM-80 standards.

WARRANTY

5 Year Warranty Standard; 10 Year Warranty Optional ([Terms and Conditions apply](#)).



SLIM WALL PACK

LED ADJUSTABLE WALL PACK

ADDITIONAL FEATURES & OPTIONS

Quick Mount Bracket



90° Adjustable Type IV Distribution



Optional Beauty Plate



Optional Battery Pack



CONTROLS OPTIONS



USBD

Optional Bluetooth Programmable PIR sensor allows for Continuous Dimming, Motion and/or daylight harvesting, Fully adjustable high/low dimmed light levels, and Adjustable time delay/cutoff delay. The sensor is programmed via a free iOS® or Android® Sensor Configuration App (compatible device provided by others). Available in 8' or 20' mounting lenses. See coverage patterns below.

- Default settings:
- High Mode: 100% Output
- Low Mode: 10% Output
- Time Delay: 5 mins
- Cutoff: 1 hr
- Sensitivity: High
- Photocell: Disabled
- Continuous Dimming: Disabled



PCU

Three 1/2" apertures allow for field or factory installed 120-277V universal electronic pencil photocell.



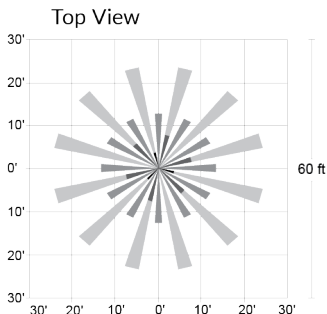
FAO

Field Installable lumen/wattage output selection device. Attaches to the 0-10V dimming wires and provides 8 steps of control for specific site requirements.

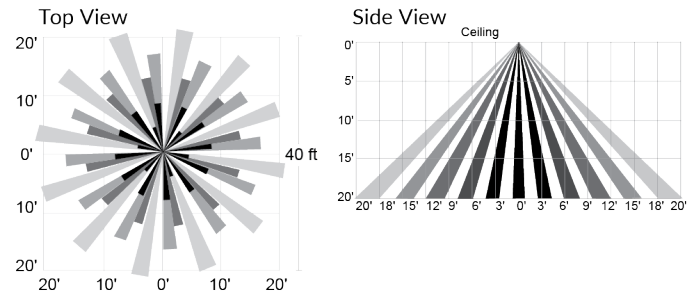


COVERAGE PATTERN

USBD/L2



USBD/L3



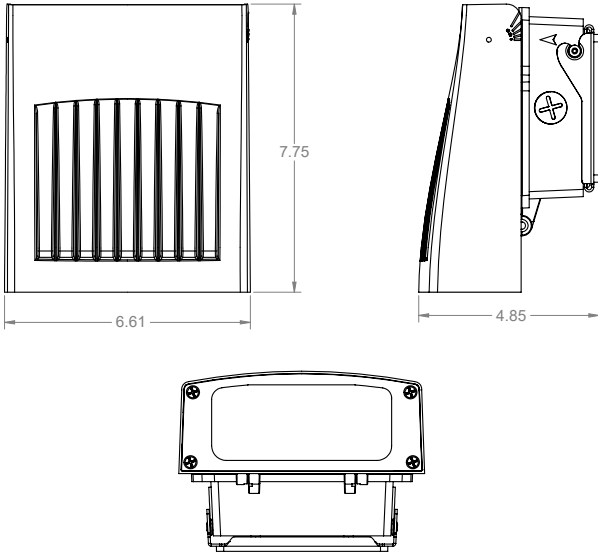


SLIM WALL PACK

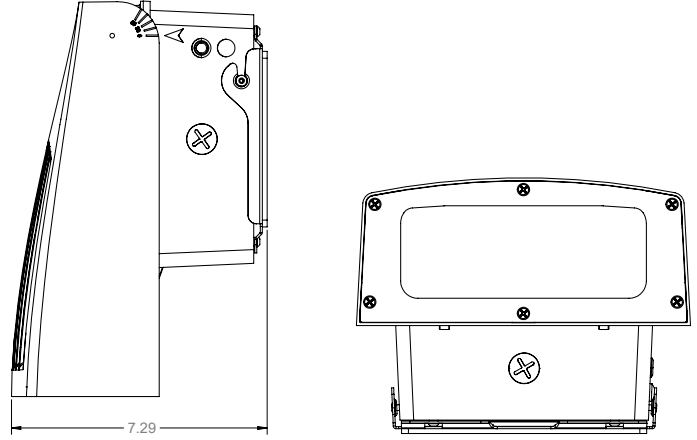
LED ADJUSTABLE WALL PACK

LINE DRAWINGS

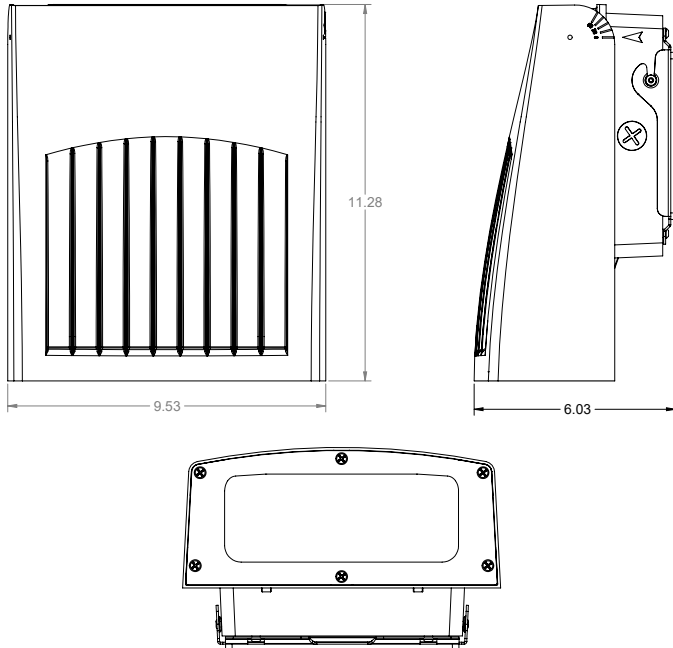
2L & 3L Small Housing



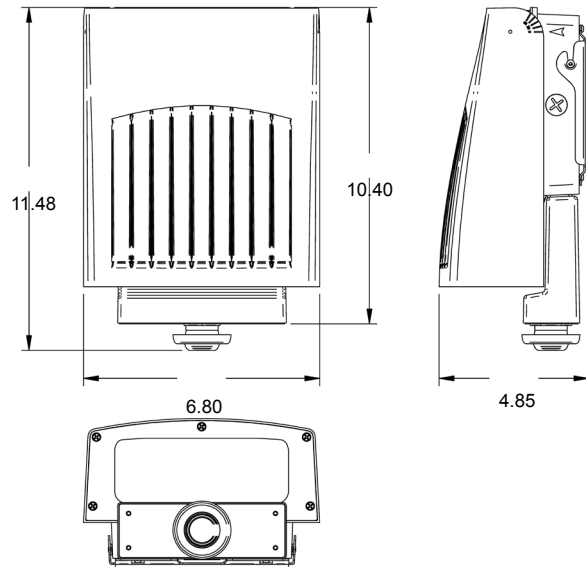
Large with Deep Box Cold Temp Battery Backup



5L, 8L & 10L Large Housing



Large with Sensor Box



Small with Sensor Box

