



SAFETY INSTRUCTIONS

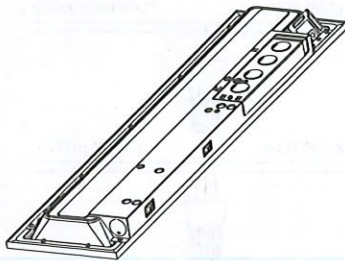
1. Do not use outdoors. 2. Equipment should be mounted securely in locations and at heights where it will not be readily subjected to tampering by unauthorized personnel. 3. Do not mount near gas or electric heaters. 4. Cap unused wires with enclosed wire nuts or other approved method. 5. Do not use this equipment for anything other than its intended use. 6. The use of accessory equipment not recommended by the manufacturer will void product listing and warranty and may cause an unsafe condition. 7. Use caution when servicing batteries. 8. Any service on this equipment should be performed by qualified personnel only. 9. Make sure wire terminations are secure and leads are properly tucked in appropriate wire channels. **CONSULT A QUALIFIED ELECTRICIAN BEFORE INSTALLING**



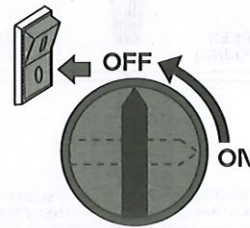
Caution:

Disconnect AC power before servicing and installation. All electrical connections must be in accordance with NEC/CEC or your local code.

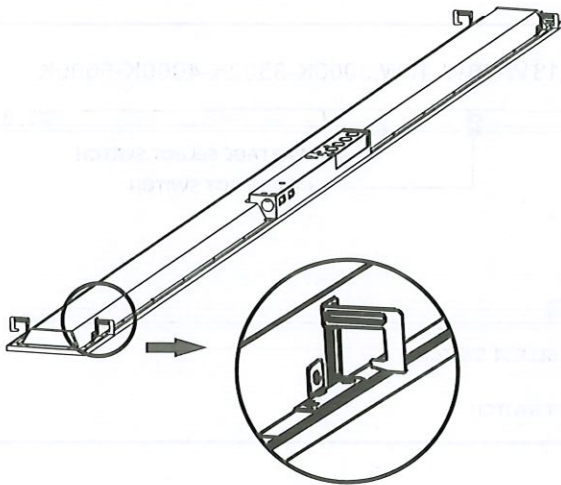
Installation Instruction



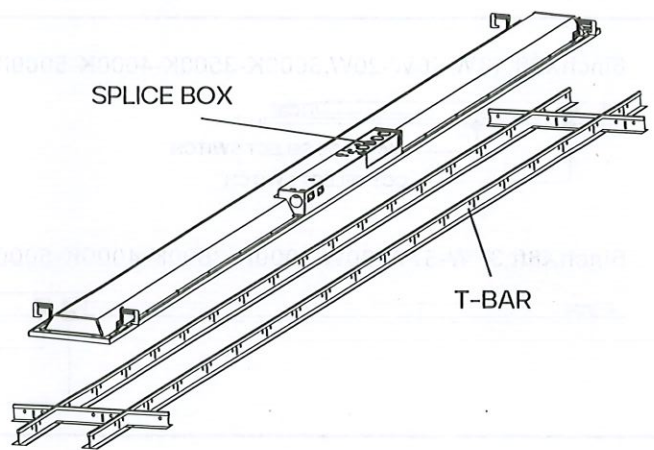
1. CAREFULLY UNPACK THE FIXTURE FROM ITS PACKAGING AND CHECK BOX CONTENTS.



2. TURN OFF POWER AT CIRCUIT BREAKER



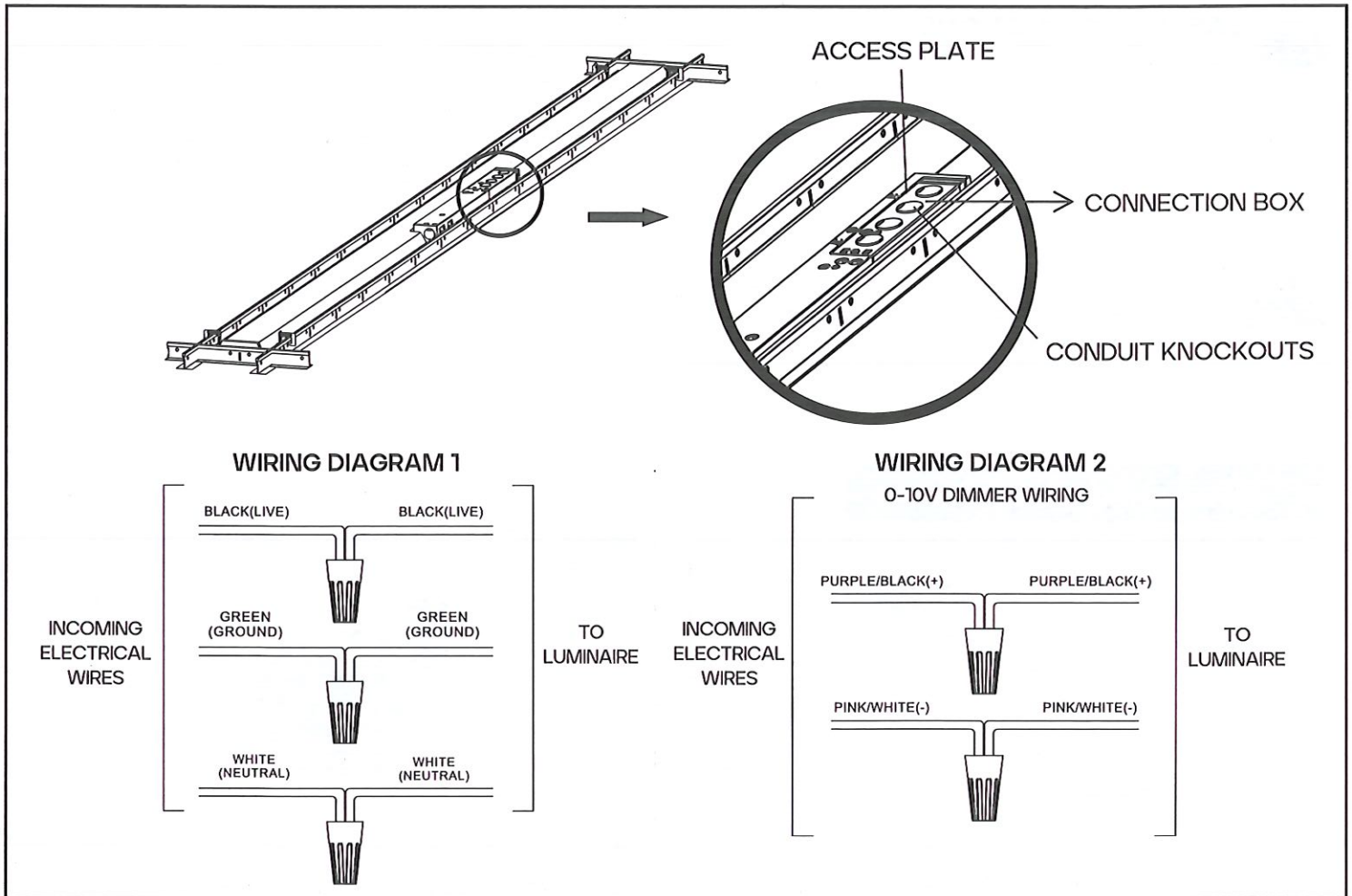
3. LOCATE ALL FOUR EARTQUAKE CLIPS ON THE BACK OF LUMINAIRE. TWIST EACH TAB AWAY FROM LUMINAIRE TESTING THEM ON THE T-BAR.



4. REST THE LUMINAIRE ON THE T-BAR OF THE CEILING SUSPENSION SYSTEM IN THE DESIRED LOCATION.

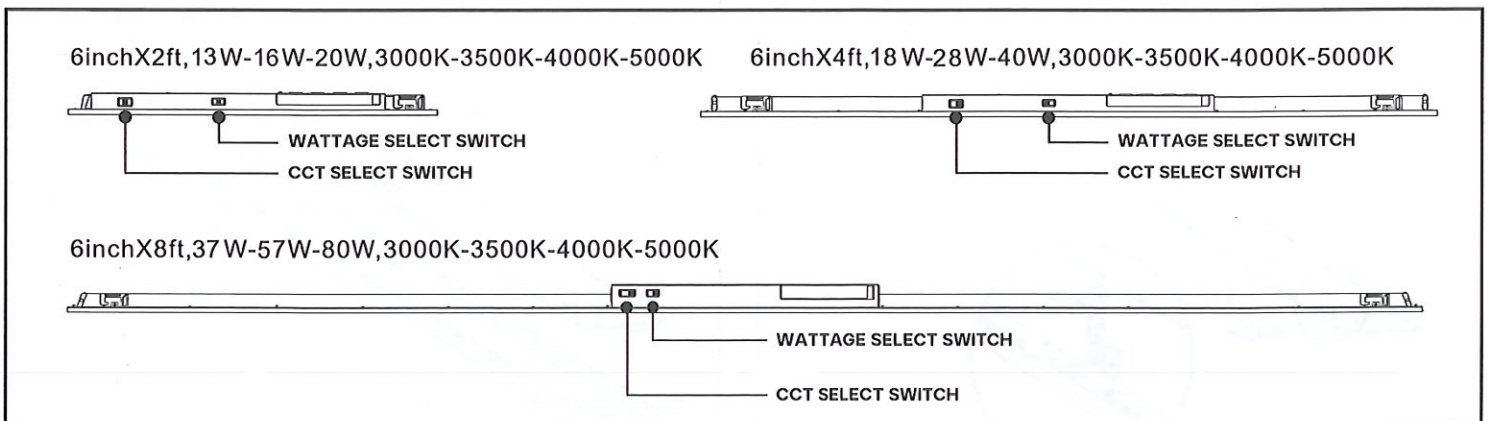
5. OPEN THE CONNECTION BOX AND CONNECT THE INCOMING ELECTRICAL WIRES TO THE SET OF POWER WIRES BLACK TO BLACK (LIVE), WHITE TO WHITE (NEUTRAL) AND GREEN TO GREEN (GROUND). SEE DIAGRAM 1.

6. FOR 0-10V DIMMING, MAKE SURE TO CONNECT THE SAME WIRE COLOR. SEE WIRING DIAGRAM 2.



7. CHECK THE WIRING, MAKE SURE EVERYTHING IS CORRECT. RECOVER THE CONNECTION BOX.

8. SELECT THE CCT AND WATTAGE YOU NEED.



9. TURN ON POWER TO LIGHT UP THE LUMINAIRE.

This device complies with part 15 of the FCC Rules. Operation is subject to the following two conditions: (1) This device may not cause harmful interference, and (2) this device must accept any interference received, including interference that may cause undesired operation.