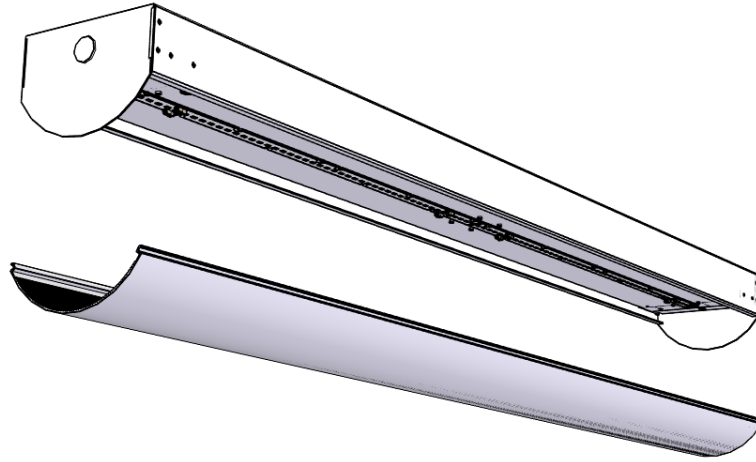
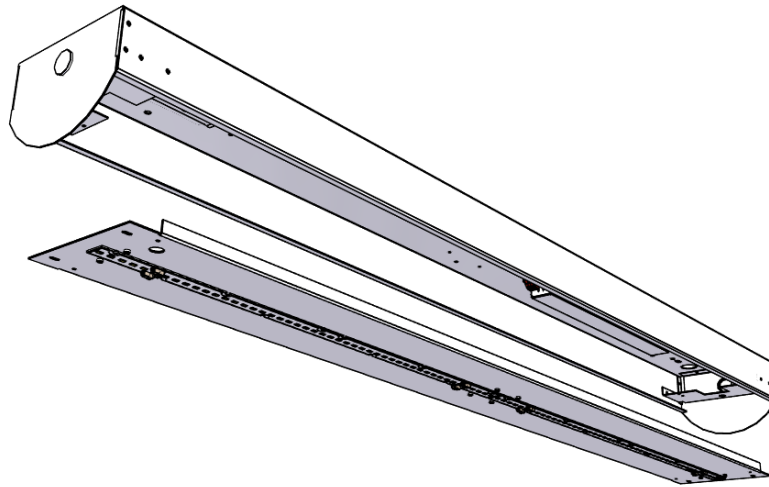


## SQ Body Installation Instructions

- 1) Remove the lens from the fixture as shown below:



- 2) Remove the LED gear tray from the fixture by unscrewing the (4) screws:



- 3) Locate the 4 holes as shown below. Place the fixture against the desired surface then drill through those 4 holes into the surface with suitable screws. Make sure the fixture is attached according to local and federal standards.

