



PROJECT NAME: _____ CATALOG NUMBER: _____
NOTES: _____ FIXTURE SCHEDULE: _____



The LED Shoebox Light series can be used in outdoor lighting (wet location certified). Excellent for parking lots, buildings, courtyards, industrial areas, sidewalks, schools and many other applications.

FEATURES:

- Lumileds LED: High lumen efficiency and long working life
- High efficiency LED Driver
- Input voltage AC120-277V
- High quality die cast aluminum design for excellent heat dissipation
- Optics designed to improve the light utilization and evenness
- Dimensions: L 25.53" x W 14.57" x H 3.16"
- Weight: 21.4 lbs
- DLC Partner: Wisdom
 - DLC ID#: PZPW48N0

OPTIONAL MOUNTING BRACKETS:



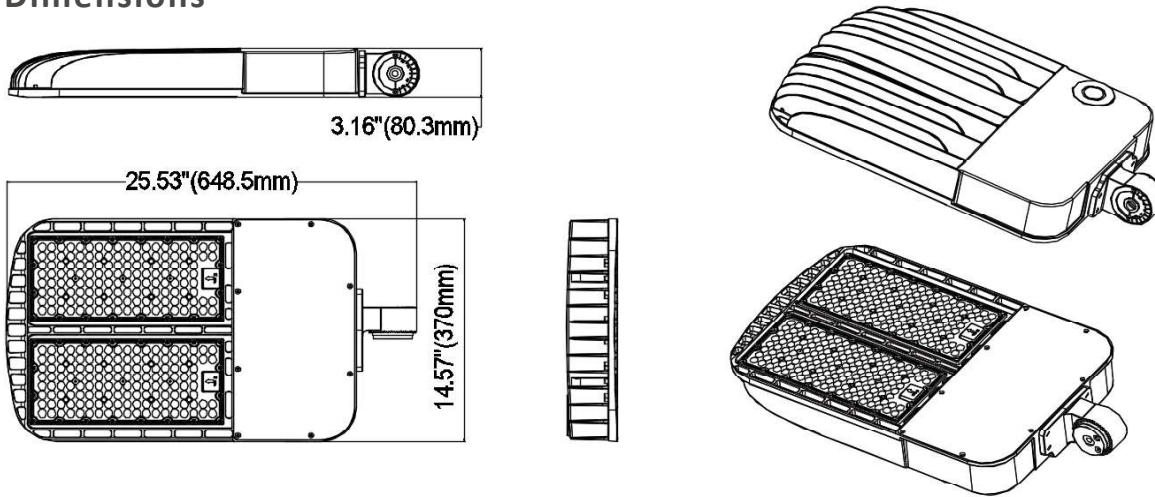
WAREHOUSE-LIGHTING.COM

Warehouse-Lighting.com
2750 South 163rd St
New Berlin, WI 53151

Warehouse-Lighting.com
Phone: 888-454-4480
info@warehouse-lighting.com



Dimensions



Technical Parameters

Power	400W	Lighting Angle	Type II, III, IV, V
Input Voltage	AC120-277V	LED Brightness Decay	<5%/6000 hrs
PF	>0.95	Working Life	>50000 hrs
Driver Efficiency	>90%	Working Temperature	-30 - +45°C
Luminous Flux	56800 Lm	Storage Temperature	-40 - +80°C
Color Temperature	4000K/5000K	Protection Level	Wet Location/IP66
CRI	Ra>80	Cable	3 core , 18AWG

PHOTOMETRY

