

SATELLITE

PREPARED BY: _____

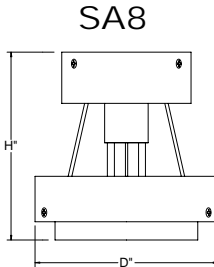
TYPE: _____

JOB NAME: _____

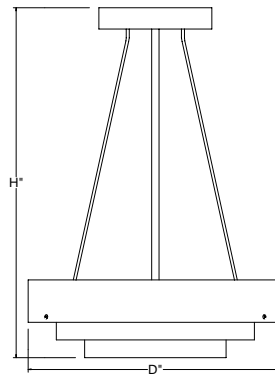
DATE: _____

CERTIFICATION: UL LISTED

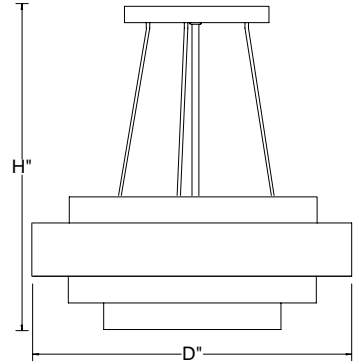
MODEL#	D"	H"
SA8	8"	8.25"
SA18	18"	30"
SA118	18"	20"
SA24	24"	30"



SA18 & SA24



SA118



FINISH-Five stage pretreatment process, coated with a lead free TGI C polyester powder coat finish. White is standard inside reflectors, Except #49-Galvanized, #62-Anodized Bronze and #63-Iron Rust, Unless specified. Custom colors and Marine are available upon request.

REFLECTOR- Spun from heavy gauge 1100-0 aluminum, ranging in thickness from .050 to .125. Galvanized is from 20 gauge sheets. Copper is spun from .040 gauge and 110 soft alloy.

LAMP HOLDERS- Accommodates **Incandescent** medium base porcelain socket, copper shell with nicked plate, rated 250V, 660W. **Compact Fluorescent** 4 pin heat resistant thermoplastic socket accommodates 26/32W (Gx24q-3 base) and 42W (Gx24q-4 base). Twist lock design provides for vibration and earthquake resistance, rated 75W, 600V. **LED**. A minimum of 60,000 hours to 100,000 expected life depending on installation location and ambient temperature.

MOUNTING- Flush mount. Fixtures are pre-wired with leads.

MODEL#	FINISH		LIGHT SOURCE				MOUNTING OPT.
			INC	CF	HID	LED	
SA8	41-black 42-dr. green 43-red 44-white 45-med. blue 46-yellow	61-anod. charcoal 62-anod. bronze 63-iron rust 70-trans. red 71-trans. green 72-trans. wine	100	26W, 32W, 42W	N/A	20W	Flush mount
SA18	48-polish alum. 49-galvanized 50-navy blue 51-arch. Bronze 52-patina 53-rust	73-trans. navy blue 74-gun metal 78-chalkboard blk. 79-ghost orange 80-pale gold 81-metallic bronze	2-100	2-26W, 2-32W, OR 2-42W	93W		
SA118	54-stucco 55-sage 58-satin alum. 59-coppertone 60-canal green	82-black gold 83-shocker green 84-faded blue 86-bronze copper 87-champagne 93-faded copper					
SA24							



PHONE: 877-999-1990
FAX: 877-999-1955

12260 EAST END AVE. CHINO, CA 91710