

Project Name:

Part Number:

Type:

# RSB T8 TLED STRIP BRACKET KIT



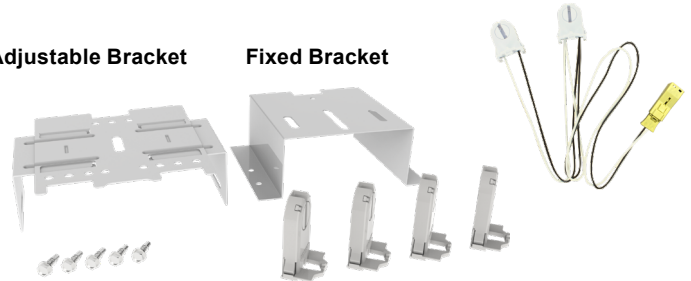
enviro**brite**  
SERIES

## FEATURES

- 4ft & 8ft Available
- 1 Lamp – 4 Lamp T8 Options (LAMPS NOT INCLUDED)
- Multiple Bracket Options
  - CS - Adjustable Width - 4.1" to 5.6"
  - 43 - Fixed 4.3" Width
- Multiple Socket Options
  - Unshunted
  - Shunted
- Tek Screw Slots for Easy Lamp Centering
- Pre-Wired Kit Options for Single or Double Ended LED Tubes
- 5 Year Warranty

Adjustable Bracket

Fixed Bracket



## SUITABLE APPLICATIONS

- Schools
- Manufacturing Plants
- Grocery Stores & Retail Applications
- Warehouses/Distribution Centers

## ORDERING GUIDE:

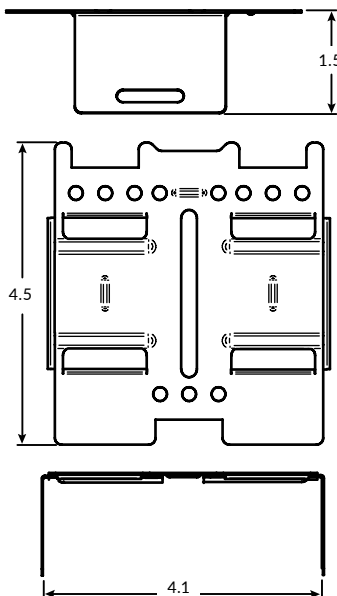
Series	Type	Bracket	Socket	Options
<b>RSB41</b> - 4ft, 1 Lamp	<b>T8</b>	<b>CS</b> - Adjustable Width	<b>U</b> - Unshunted	<b>PWS*</b> Pre-Wired Kit Option for Single Ended LED Tubes <b>PWD†</b> Pre-Wired Kit Option for Double Ended LED Tubes
<b>RSB42</b> - 4ft, 2 Lamp		<b>43</b> - 4.3 Fixed Width	<b>S</b> - Shunted	
<b>RSB82</b> - 8ft, 2 Lamp				
<b>RSB84</b> - 8ft, 4 Lamp				

\* Compatible with Unshunted Sockets Only

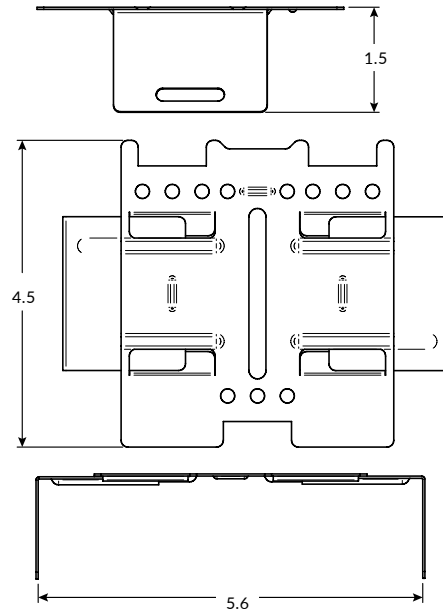
† Compatible with Unshunted and Shunted Sockets

## LINE DRAWINGS

CS - Adjustable Bracket Min Opening



CS - Adjustable Bracket Max Opening



43 - 4.3" Fixed Bracket

