

# RMKPANEL2X4 - RECESSED DRYWALL KIT INSTALLATION INSTRUCTIONS

**RAB**  
LIGHTING

Thank you for buying RAB lighting fixtures. Our goal is to design the best quality products to get the job done right. We'd like to hear your comments. Call the Marketing Department at 888-RAB-1000 or email: [marketing@rabweb.com](mailto:marketing@rabweb.com)

## IMPORTANT

**READ CAREFULLY BEFORE INSTALLING FIXTURE. RETAIN THESE INSTRUCTIONS FOR FUTURE REFERENCE.**

RAB fixtures must be wired in accordance with the National Electrical Code and all applicable local codes. Proper grounding is required for safety. THIS PRODUCT MUST BE INSTALLED IN ACCORDANCE WITH THE APPLICABLE INSTALLATION CODE BY A PERSON FAMILIAR WITH THE CONSTRUCTION AND OPERATION OF THE PRODUCT AND THE HAZARDS INVOLVED.

**Make certain power is OFF before installing or maintaining fixture.**

## SAFETY INSTRUCTIONS

**WARNING: Risk of fire or electric shock. Suitable for Damp locations.**

**WARNING: Install Drywall Kit & Panel per local codes. Suitable for installation in Sheet Rock/ Plasterboard in both Insulated Ceilings and Non-Insulated Ceilings. Not for continuous row mounting.**

**WARNING: Do not handle energized fixture when hands are wet, when standing on wet or damp surfaces, or in water.**

**WARNING: Vapor barrier must be suitable for 90°C.**

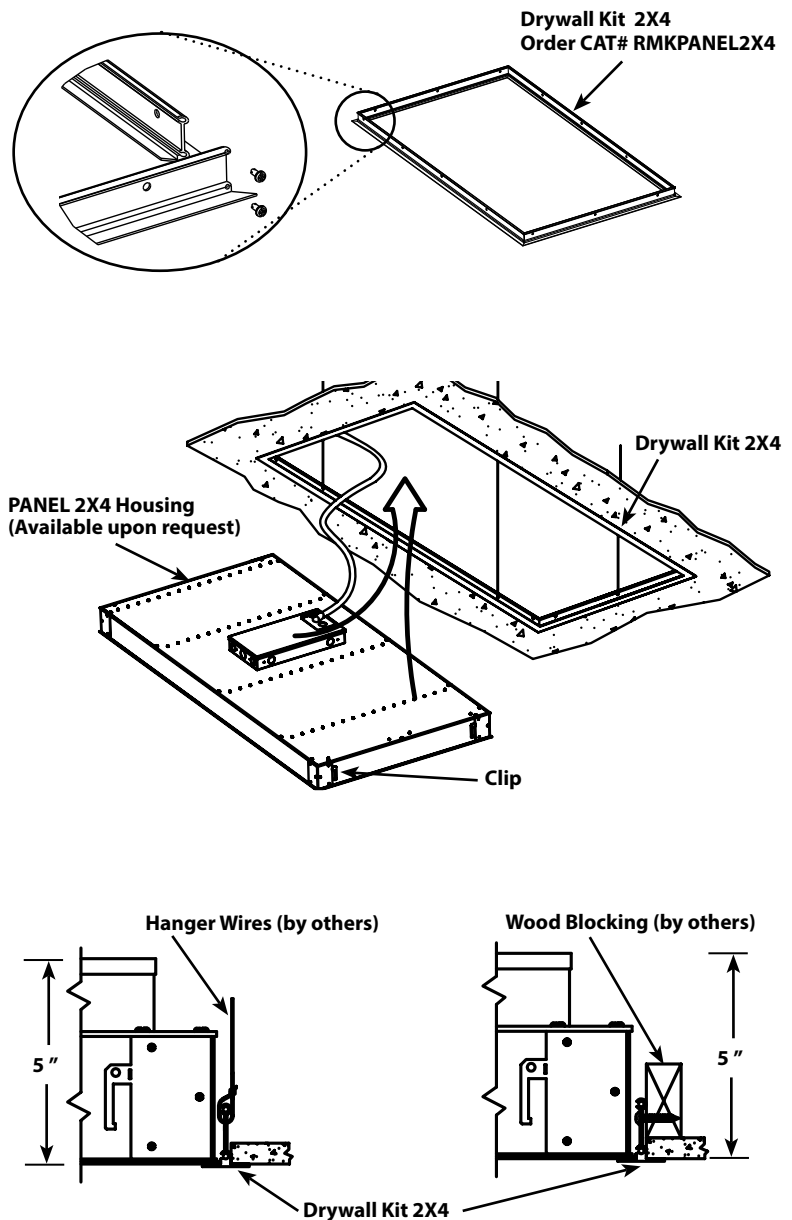
**WARNING: Drywall kit to be independently supported to building structure.**

## DRYWALL MOUNTING

The fixture is suitable only for INDOOR RECESSED CEILING application. **Nominal Sheet Rock cut-out opening is 24 5/8" x 48 5/8".**

To mount in an insulated or non-insulated - sheet rock ceiling follow the steps below.

1. Assemble the four pieces of the **Drywall Kit 2X4** with the screws provided.
2. Support the **Drywall Kit 2x4** to the building structure by **Hanger Wires (by others)**, alternatively screw to **Wood Blocking (by others)** or black iron (by others).
3. Bend the pre-installed **Clips** (4) flat to the **PANEL 2X4 Housing**.
4. Follow wiring directions on fixture installation instruction sheet to complete electrical splices.
5. Rotate and slide the **PANEL 2X4 Housing** as required to fit through the drywall opening as indicated by the directional arrow in figure and place it on the **Drywall Kit**.



Note: These instructions do not cover all details or variations in equipment nor do they provide for every possible situation during installation, operation or maintenance.

**RAB**  
LIGHTING  
©2013 RAB LIGHTING Inc.  
Northvale, New Jersey 07647 USA  
RMKPANEL2X4 IN-1013

## Easy Installation & Product Help

**Tech Help Line**  
Call our experts 888 RAB-1000

**rabweb.com**  
Visit our website for product info

**email**  
Answered promptly [sales@rabweb.com](mailto:sales@rabweb.com)

# RMKPANEL1X4 - RECESSED DRYWALL KIT INSTALLATION INSTRUCTIONS

**RAB**  
LIGHTING

Thank you for buying RAB lighting fixtures. Our goal is to design the best quality products to get the job done right. We'd like to hear your comments. Call the Marketing Department at 888-RAB-1000 or email: [marketing@rabweb.com](mailto:marketing@rabweb.com)

## IMPORTANT

**READ CAREFULLY BEFORE INSTALLING FIXTURE. RETAIN THESE INSTRUCTIONS FOR FUTURE REFERENCE.**

RAB fixtures must be wired in accordance with the National Electrical Code and all applicable local codes. Proper grounding is required for safety. THIS PRODUCT MUST BE INSTALLED IN ACCORDANCE WITH THE APPLICABLE INSTALLATION CODE BY A PERSON FAMILIAR WITH THE CONSTRUCTION AND OPERATION OF THE PRODUCT AND THE HAZARDS INVOLVED.

**Make certain power is OFF before installing or maintaining fixture.**

## SAFETY INSTRUCTIONS

**WARNING: Risk of fire or electric shock. Suitable for Damp locations.**

**WARNING: Install Drywall Kit & Panel per local codes. Suitable for installation in Sheet Rock/ Plasterboard in both Insulated Ceilings and Non-Insulated Ceilings. Not for continuous row mounting.**

**WARNING: Do not handle energized fixture when hands are wet, when standing on wet or damp surfaces, or in water.**

**WARNING: Vapor barrier must be suitable for 90°C.**

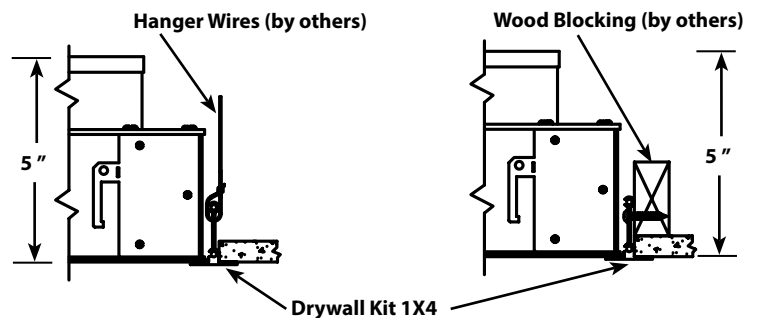
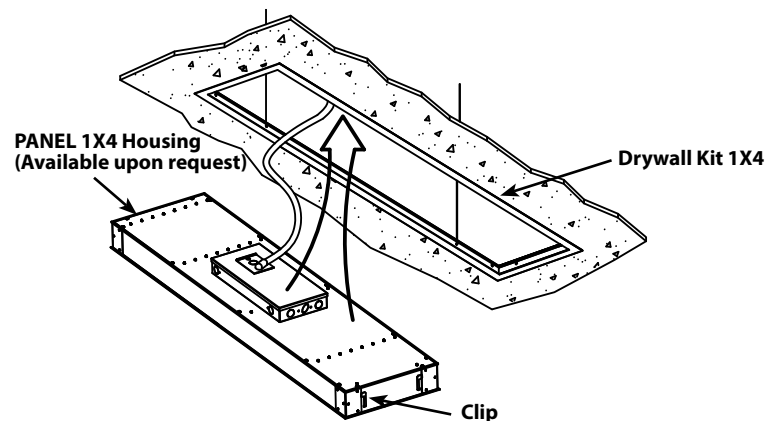
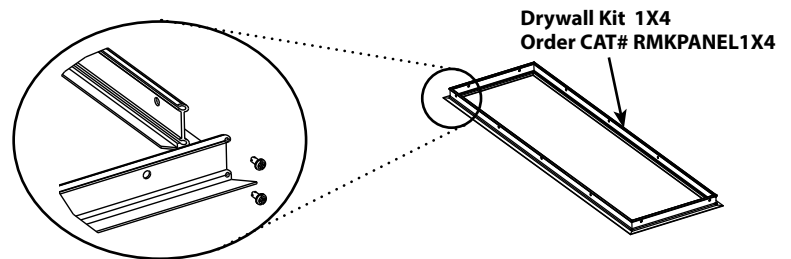
**WARNING: Drywall kit to be independently supported to building structure.**

## DRYWALL MOUNTING

The fixture is suitable only for INDOOR RECESSED CEILING application. **Nominal Sheet Rock cut-out opening is 12 5/8" x 48 5/8".**

To mount in an insulated or non-insulated - sheet rock ceiling follow the steps below.

1. Assemble the four pieces of the **Drywall Kit 1X4** with the screws provided.
2. Support the **Drywall Kit 1x4** to the building structure by **Hanger Wires (by others)**, alternatively screw to **Wood Blocking (by others)** or black iron (by others).
3. Bend the pre-installed **Clips** (4) flat to the **PANEL 1X4 Housing**.
4. Follow wiring directions on fixture installation instruction sheet to complete electrical splices.
5. Rotate and slide the **PANEL 1X4 Housing** as required to fit through the drywall opening as indicated by the directional arrow in figure and place it on the **Drywall Kit**.



*Note: These instructions do not cover all details or variations in equipment nor do they provide for every possible situation during installation, operation or maintenance.*

**RAB**  
LIGHTING  
©2013 RAB LIGHTING Inc.  
Northvale, New Jersey 07647 USA  
RMKPANEL1X4 IN-1013

## Easy Installation & Product Help

**Tech Help Line**  
Call our experts 888 RAB-1000

**rabweb.com**  
Visit our website for product info

**email**  
Answered promptly [sales@rabweb.com](mailto:sales@rabweb.com)

# RMKPANEL2X2 - RECESSED DRYWALL KIT INSTALLATION INSTRUCTIONS



Thank you for buying RAB lighting fixtures. Our goal is to design the best quality products to get the job done right. We'd like to hear your comments. Call the Marketing Department at 888-RAB-1000 or email: [marketing@rabweb.com](mailto:marketing@rabweb.com)

## IMPORTANT

**READ CAREFULLY BEFORE INSTALLING FIXTURE. RETAIN THESE INSTRUCTIONS FOR FUTURE REFERENCE.**

RAB fixtures must be wired in accordance with the National Electrical Code and all applicable local codes. Proper grounding is required for safety. THIS PRODUCT MUST BE INSTALLED IN ACCORDANCE WITH THE APPLICABLE INSTALLATION CODE BY A PERSON FAMILIAR WITH THE CONSTRUCTION AND OPERATION OF THE PRODUCT AND THE HAZARDS INVOLVED.

**Make certain power is OFF before installing or maintaining fixture.**

## SAFETY INSTRUCTIONS

**WARNING: Risk of fire or electric shock. Suitable for Damp locations.**

**WARNING: Install Drywall Kit & Panel per local codes. Suitable for installation in Sheet Rock/ Plasterboard in both Insulated Ceilings and Non-Insulated Ceilings. Not for continuous row mounting.**

**WARNING: Do not handle energized fixture when hands are wet, when standing on wet or damp surfaces, or in water.**

**WARNING: Vapor barrier must be suitable for 90°C.**

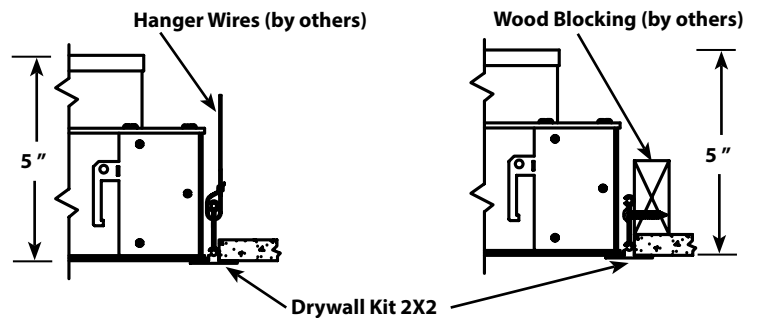
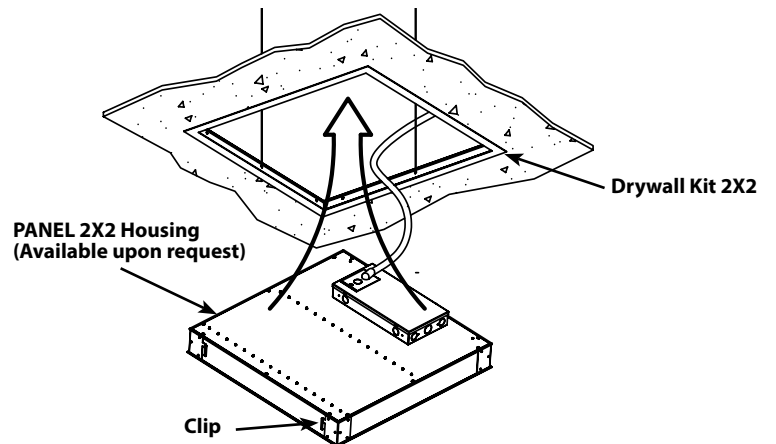
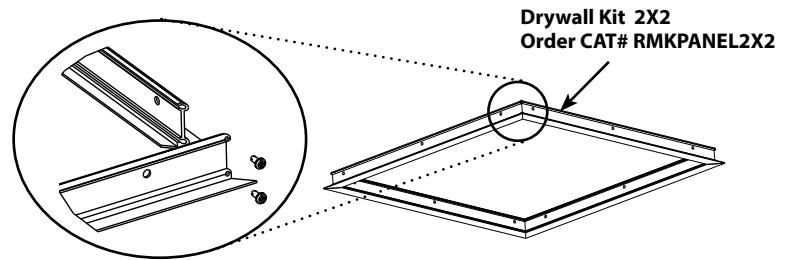
**WARNING: Drywall kit to be independently supported to building structure.**

## DRYWALL MOUNTING

The fixture is suitable only for INDOOR RECESSED CEILING application. **Nominal Sheet Rock cut-out opening is 24 5/8" x 24 5/8".**

To mount in an insulated or non-insulated - sheet rock ceiling follow the steps below.

1. Assemble the four pieces of the **Drywall Kit 2X2** with the screws provided.
2. Support the **Drywall Kit 2x2** to the building structure by **Hanger Wires (by others)**, alternatively screw to **Wood Blocking (by others)** or black iron (by others).
3. Bend the pre-installed **Clips** (4) flat to the **PANEL 2X2 Housing**.
4. Follow wiring directions on fixture installation instruction sheet to complete electrical splices.
5. Rotate and slide the **PANEL 2X2 Housing** as required to fit through the drywall opening as indicated by the directional arrow in figure and place it on the **Drywall Kit**.



*Note: These instructions do not cover all details or variations in equipment nor do they provide for every possible situation during installation, operation or maintenance.*



## Easy Installation & Product Help

**Tech Help Line**  
Call our experts 888 RAB-1000

**rabweb.com**  
Visit our website for product info

**email**  
Answered promptly [sales@rabweb.com](mailto:sales@rabweb.com)