

# WHL-RHLED LED Outdoor Polycarbonate / Die-Cast Remote Head



## STANDARD



## ILLUMINATION

- Long lasting, efficient, ultra bright white LED lamp heads.
- 1.0 watt (8 LEDs x 0.125 watt) per head.
- High performance chrome-plated metalized reflector and plastic lens for optimal light distribution.
- Adjustable LED lamp heads provide optimal center-to-center spacing.
- Optional high lumen heads are 1.5 watts (12 LEDs x 0.125 watt per head) and provide increased center-to-center spacing.

## ELECTRICAL

- Powered from low voltage power source with low voltage wiring (not provided).

## MOUNTING

- Universal mounting adapter plate included. Mounts to single-gang switch box.
- Distance of maximum run is determined by system voltage, wire gauge and total maximum wattage on the run.
- Suitable for wall or ceiling mount.

## HOUSING

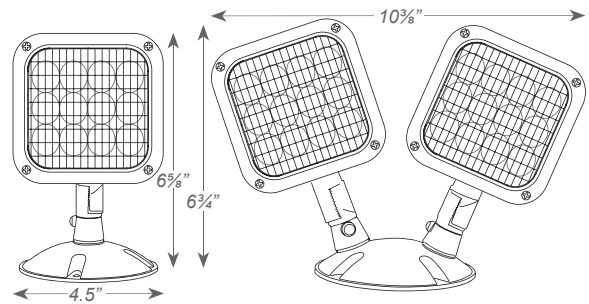
- Available in both engineering grade, high-impact resistant polycarbonate or premium grade die-cast aluminum housing.
- Sealed and gasketed in standard gray or black finish.



## WARRANTY / LISTING

- Five year warranty.
- UL Listed for wet locations (-30°C – 50°C).
- Meets UL924, NFPA 101 Life Safety Code, NEC, OSHA, Local and State Codes.

## DIMENSIONS



## FIXTURE COMPATIBILITY LIST

Reference individual unit equipment specification sheets for remote load capacity availability.

BEST LIGHTING MODEL TYPE		
CADXR	CALEDXTE-RC	CAR
CEM-RC	CEU-RC	CKXTEU-RC
CLPU	CWLEZXTE-RC	DXR
E-1-RC	EM-RC	LESDXR627
LEDTFX-2	NYDXR	RMCLPU-RC
RMLEDXTE-RC	RMR-16-65/125	CEMXT
CXTEU	INDEM	HLEMR
INDCWLEZ	HLCWLEZ	CAEM

## ORDERING INFORMATION

Sample Part Number: WHL-RHLED1-WP-MV

MODEL	No. of HEADS	OPTIONS	HOUSING	VOLTAGE	COLOR	LAMP TYPE <sup>1</sup>					
WHL-RHLED	1	Single Head	(blank)	PWP	Thermoplastic	MV	For Use With 3.6V, 6V, 9.6V & 12V DC Power Source	(blank)	Gray	(blank)	8 LEDs 1W
	2	Double Head	SDT	WP	Die-Cast			B	Black	HL	12 LEDs 1.5W

<sup>1</sup> Wattage rating stated per head.



Warehouse-Lighting.com  
2750 South 163<sup>rd</sup> St  
New Berlin, WI 53151

[Warehouse-Lighting.com](http://Warehouse-Lighting.com)  
Phone: 888-454-4480  
[requests@warehouse-lighting.com](mailto:requests@warehouse-lighting.com)