

RCM 10" ROUND CANOPY

PROJECT: _____

SCHEDULE: _____ DATE: _____

PREPARE BY: _____

NOTES: _____

DESCRIPTION

naturaLED® RCM low-profile round canopy is exactly what you need for a durable, cost-effective lighting for parking garages, walkways, and outdoor canopies. This IP65 Rated fixture comes with Selectable Wattages and Selectable CCT. The canopy supports both direct surface mounting ceiling and wall. Optional Accessories for Motion Sensor, Photocell Sensor and EM driver.



APPLICATIONS

Breezeway, Parking Garages, Pathway, Perimeter, Entryway, Area Lighting, and building facades







Rated Life 50,000 Hours
Warranty 5 Years

FEATURES

- DLC Standard Qualified
- IP65 Rated
- ETL, cETL Listed
- Selectable Wattages
- Color Temp: 3CCT (3000/4000/5000K)
- Voltage: 120-277V
- Input Current: 0.27A
- Power Factor >0.9
- Surge Protection: 4KV
- Beam Angle: 120°
- Dimmable: 0-10V
- CRI: >90
- Operating temperature: - 40°F - 122°F
- Colors: Dark Bronze
- 5 Year Warranty
- Optional for Purchase: Motion Sensor, Emergency Drivers, Photocell Sensor, Remote Control

ACCESSORIES

| | |
|---|------------------|
|  | Motion Sensor |
|  | Emergency Driver |
|  | Photocell Sensor |
|  | Remote Control |

SAMPLE NUMBER FX10RCM29SW/9CCT3/DB

| FAMILY | SERIES | WATTAGE | SELECTABLE | CRI/COLOR TEMP | FINISH COLOR |
|---------|---------------------|--------------|-----------------------|-----------------------------------|--------------|
| FX | 10RCM | 29 | SW | 9CCT3 | DB |
| Fixture | 10" Round Canopy | 14 / 22 / 29 | Selectable Wattage | CRI 90 3000K 4000K 5000K | Dark Bronze |



ROUND CANOPY

WALL & AREA LUMINAIRES

*P= Premium DLC / *S = Standard DLC

ORDERING

| Watts (W) | Ordering Code | Description | CCT (K) | Lumens (Lm) | Equiv. Wattage (W) | Color | IP65 Rated | DLC (S/P) |
|-----------|---------------|----------------------|-------------|-------------|--------------------|-------------|------------|-----------|
| 14 | 7670 | FX10RCM29SW/9CCT3/DB | 3CCT | 1,610 | 150W | Dark Bronze | • | S |
| 22 | | | (3000/4000/ | 2,530 | | | | |
| 29 | | | 5000K) | 3,335 | | | | |

ACCESSORIES (Ordered Separately)

Motion Sensor



P10438 SEN-HB001VCD-1
(Motion Sensor)

Emergency Driver



7336 BAEM4-60BC/MV-A
(4W CEC Compliant LED
Emergency Driver)

Photocell Sensor



P10543 SEN-PHO-SBT-MT/MV
(Small Button Photocell 120-277V)

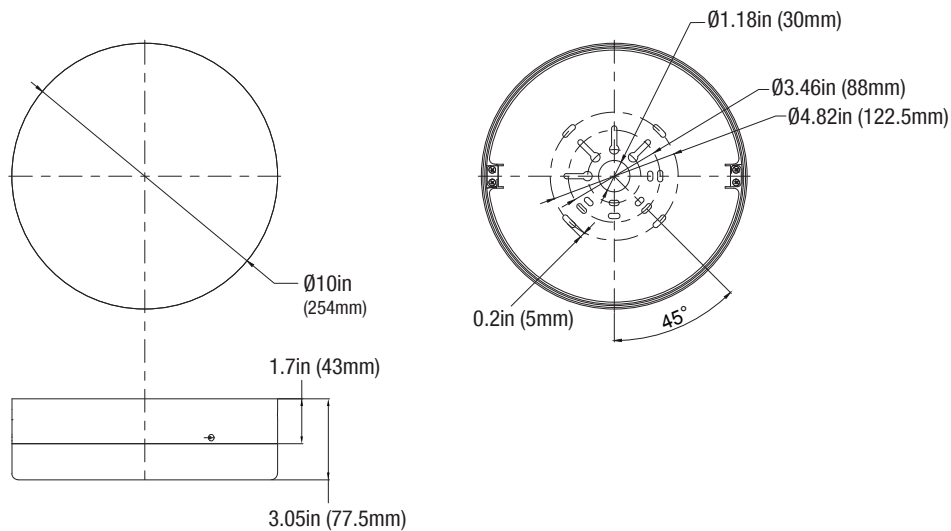
Remote Control



P10323 SEN-HD05R
(Remote Programmer for P10438)

DIMENSIONS

29 SW
5.95-lbs



PACKAGE

Case Qty 2 pcs

