



Durable, economic line of DC-voltage LED work lights  
 Lightweight, compact design ideal for use on mobile equipment  
 Spot and flood optics minimize glare and provide precise optical control  
 LED technology increases efficiency, eliminates maintenance and supports green initiatives

### Key Applications

Surface mining equipment

- haul trucks • front loaders • blasthole drills • dozers • hydraulic excavator shovels

Underground mining equipment

- jumbos • scoopers • dumpers

Construction equipment

- mobile cranes • excavators • rollers

Port equipment

- material handling • reach stackers

Marine vessels

- patrol boats • fishing boats

Agricultural equipment

- combine harvester • tractors • ATVs

Forestry equipment

- harvesters • forwarders • loaders

Other applications

- utility vehicles • pick-up trucks • off-road equipment • forklift trucks • maintenance of Way (MOW) railroad maintenance equipment • solar and generator powered lighting

### Compliances

CE

IP69K

CISPR 25 - Class 4

### Specifications

<b>Construction</b>	Die cast aluminum housing
<b>Finish</b>	Black powder coat
<b>Hardware</b>	Stainless steel
<b>Lens</b>	Impact-resistant polymer - standard Spot (SP) and flood (FL) optics Precise optical control minimizes glare
<b>Light source</b>	19W, up to 2000 lumens Cool white (5700K) LEDs 50,000 hour rated life
<b>Power source</b>	Nominal voltage range: 12-24V DC Input voltage range: 9-32V DC 17.00 inch (432 mm) cord with Deutsch connector
<b>Wiring</b>	Stranded wires
<b>Ambient operating temperature</b>	-40°C to +85°C
<b>Shock</b>	ISO 16750-3: 2012, 50G
<b>Vibration</b>	up to 30G
<b>Salt spray</b>	IEC 60068-2-11
<b>Mounting</b>	Stainless steel harp
<b>Warranty</b>	1 year

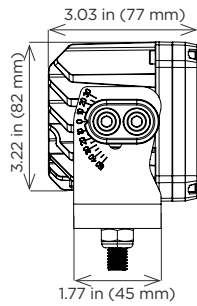
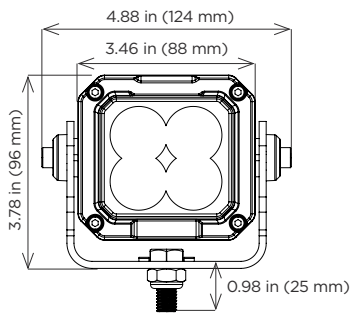
*For IES files, see website or contact factory*

# Sturdilite® Move Series LO

Low-voltage LED Floodlight

**PHOENIX**<sup>®</sup>  
DURABILITY X DESIGN™

## Dimensions



## Ordering Information

Example: MV-LO-SP

Fixture	Model	Optic
MV	LO	SP
		FL

Model	Optic
LO 19W, up to 2000 lumens	SP Spot Optic
	FL Flood Optic

**Special Projects:** We may be able to accommodate your special projects, so please don't hesitate to ask about additional options. Minimum order quantities and/or extended lead times will apply. Contact your Phoenix representative with specific inquiries.

Product design and specifications are subject to change without notice. The most current version of this specification sheet can be found at [www.phoenixlighting.com](http://www.phoenixlighting.com).