

Project:	
Notes:	
Type:	Date:
Catalog #:	



LED UFO HIGHBAY	HBG-150W SERIES
------------------------	------------------------



APPLICATIONS

- Large Outdoor Spaces
- Large Indoor Spaces
- Industrial Areas
- Churches
- Swimming Pools
- Shopping Malls
- Warehouses
- Commercial
- Gymnasiums
- Retail Areas



SPECIFICATION FEATURES

CONSTRUCTION

Advanced aluminum heat sink which provides excellent thermal transfer to extend component life. Built rugged for outdoor and waterproof.

ELECTRICAL

Luminaire is built with the highest quality 120-277VAC Universal Drivers or Optional 347-480VAC Drivers and Water Resistant LED Chips.

Emergency Exit

Optional 90 minute operation when emergency lighting is required for aisle way exits.

CONTROLS AND DIMMING

0-10V dimmable

INSTALLATION

Fixture comes standard with hook for suspension mount. Optional Fixed Bracket Mount Available.

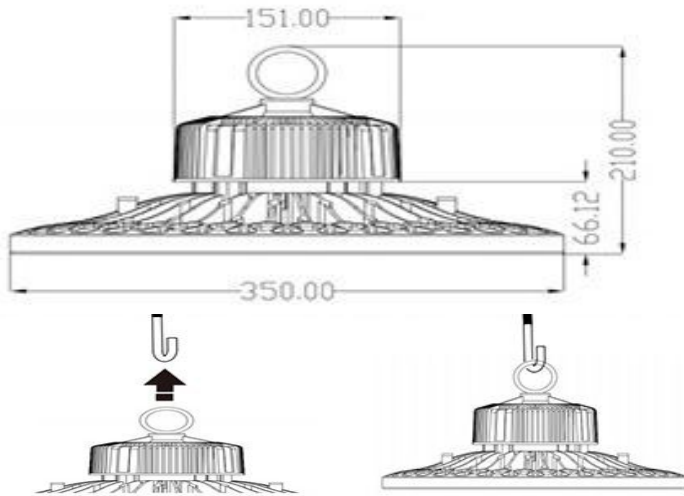
CERTIFICATION AND WARRANTY

ETL Wet Listed.
7 Year Warranty and IP65 Rated and RoHS.

ORDERING Ordering Example: PT-HBG-150W-M-50

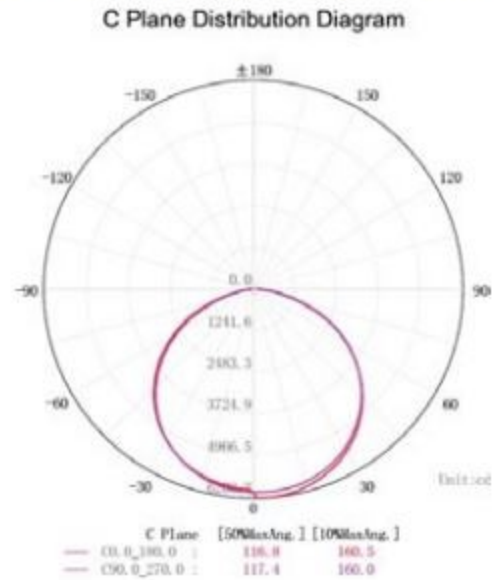
PT	HB	Type	Watts	Sensor	CCT	[Blank]	[Blank]	EM	Reflector
PT	HB= High Bay	G= HG	100W= 100 Watts	M= Motion	40=4000K	[Blank] 120-277 VAC	[Blank]=Suspension Mount	EM= Emergency Battery Backup	AL=Aluminum
			150W= 150 Watts						
			200W= 200 Watts		50=5000K	480= 347-480 VAC	BM=Bracket Mount		PL=Plastic
			240W= 240 Watts						

DIMENSIONS



PHOTOMETRIC DATA

Light distribution curve drawing



TECHNICAL SUMMARY

PT-HBG-150W-M-50

INPUT WATTS	150 Watts
INPUT VOLTAGE	AC 120-277V / AC 347-480V
POWER FREQUENCY	50 / 60 HZ
EFFICACY	140 lm/W
DELIVERED LUMENS	21,000 LM
CCT	4000K / 5000K
CRI	RA>80
WORKING TEMPERATURE	-40°C - +50°C
STORAGE TEMPERATURE	-40°C - +60°C
IP RATING	IP65 Wet Location
CERTIFICATION	ETL CE FCC DLC Premium
WARRANTY TIME	7 Years
LED DRIVER	MeanWell
LED CHIP	Philips 3030
OPTIONAL ACCESSORY	EM Battery Backup/ IR Occupancy Sensor / Reflector
DIMMABLE	0-10V dimmable
POWER FACTOR	>0.9
THD	≥20%

Illumination Distribution Drawing

