



INDUSTRIAL AND COMMERCIAL  
LIGHTING MFR SINCE 2003

PROJECT NAME \_\_\_\_\_  
ITEM # \_\_\_\_\_  
FIXTURE SCHEDULE \_\_\_\_\_  
NOTES \_\_\_\_\_

# Oslo Series



The Oslo Compact Linear High Bay Fixture is the ultimate solution for lighting up your warehouse, industrial facility, or any large indoor space with unparalleled efficiency and brilliance. Crafted with precision and durability in mind, it boasts a sleek, modern design that seamlessly integrates into any environment. Its compact size ensures easy installation and its CCT Selectable capability, allows you to customize the color temperature to suit your specific needs and preferences.

## Specifications – 155W

CRI	<80	Ratings and Certifications	cULus, DLC 5.1 Premium, Damp Location
Light Source	LED	Dimmable	0-10V, dim to off
Voltage	120-277v	Beam Angle	Wide
Color Temperature	Selectable 4000K/5000K	Mounting Options	Suspension mount (vhook included), 3' Hanging Chains, 5' and 10' Aircraft Cable Kit
Wattage	155W	Operating Temperature	-20° C to 50° C (-4° F to 122° F)
LPW	150	Lumens	23,000
Housing	Stamped Metal	Finish	White
Product Weight	7.1 lbs.	Product Dimensions	22.8" L x 10.2" W x 1.8" H
Shipping Weight	8.7 lbs.	Shipping Dimensions	24.29" L x 11.02" W x 2.28" H
Lifespan	L70 > 100,000	Warranty	5 Year





INDUSTRIAL AND COMMERCIAL  
LIGHTING MFR SINCE 2003

PROJECT NAME \_\_\_\_\_  
ITEM # \_\_\_\_\_  
FIXTURE SCHEDULE \_\_\_\_\_  
NOTES \_\_\_\_\_

## Order Information

Oslo Series			Example: WL-CLHB-78W-2CTS-WH-G1	
Series	Wattage	Color Temperature	Finish	Generation
WL-CLHB	<b>78W</b> 78 Watts  <b>155W</b> 155 Watts  <b>270W</b> 270 Watts	<b>2CTS</b> Selectable 4000K/5000K	<b>WH</b> White	G1

## DLC Information

Item	DLC Version	DLC ID	Wattage	Lumens
WL-CLHB-78W-2CTS-WH-G1	5.1 Premium	S-0J6ZQF	78W	11,700
WL-CLHB-155W-2CTS-WH-G1	5.1 Premium	S-VTFP47	155W	23,250
WL-CLHB-270W-2CTS-WH-G1	5.1 Premium	S-5BLF1K	270W	40,500

## Dimensions

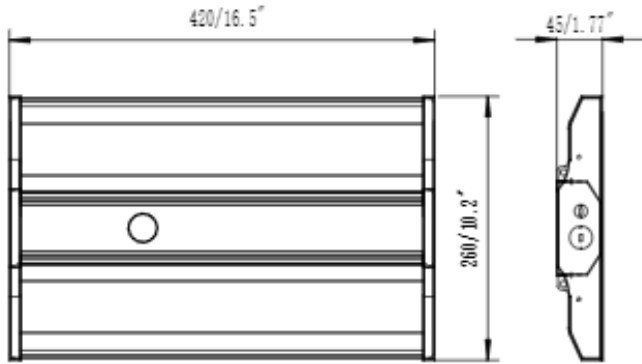
Item	Length	Width	Height	Weight
WL-CLHB-78W-2CTS-WH-G1	16.5"	10.2"	1.8"	5.5 lbs.
WL-CLHB-155W-2CTS-WH-G1	22.8"	10.2"	1.8"	7.1 lbs.
WL-CLHB-270W-2CTS-WH-G1	31.1"	10.2"	1.8"	10.4 lbs.



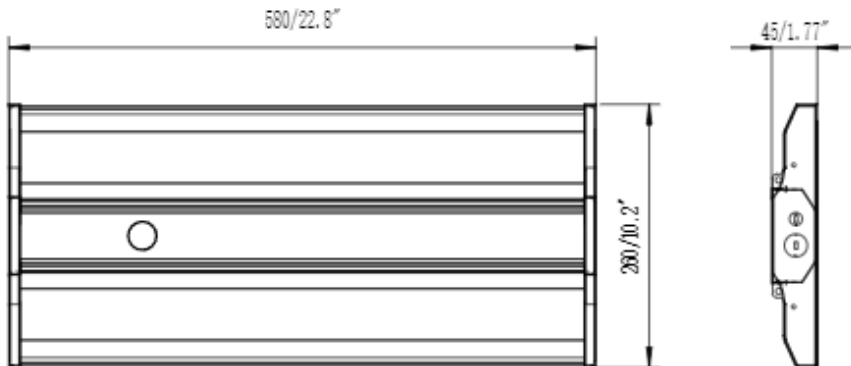
INDUSTRIAL AND COMMERCIAL  
LIGHTING MFR SINCE 2003

PROJECT NAME \_\_\_\_\_  
ITEM # \_\_\_\_\_  
FIXTURE SCHEDULE \_\_\_\_\_  
NOTES \_\_\_\_\_

### WL-CLHB-78W



### WL-CLHB-155W



### WL-CLHB-270W

