

物料名称: 中性_RL02_书纸(安装说明书210*297mm黑白印刷)
 物料编码: 504000000315
 规格尺寸: 210X297mm
 材料工艺: 80G书纸

CHK (审核):	ISSUE (版本):	ZONE (位置):	REVISIONS (修改次数):	CHK (审核):	DATE (日期):	APPD (批准):	DATE (日期):

210mm

LED ROADWAY

Installation Guide

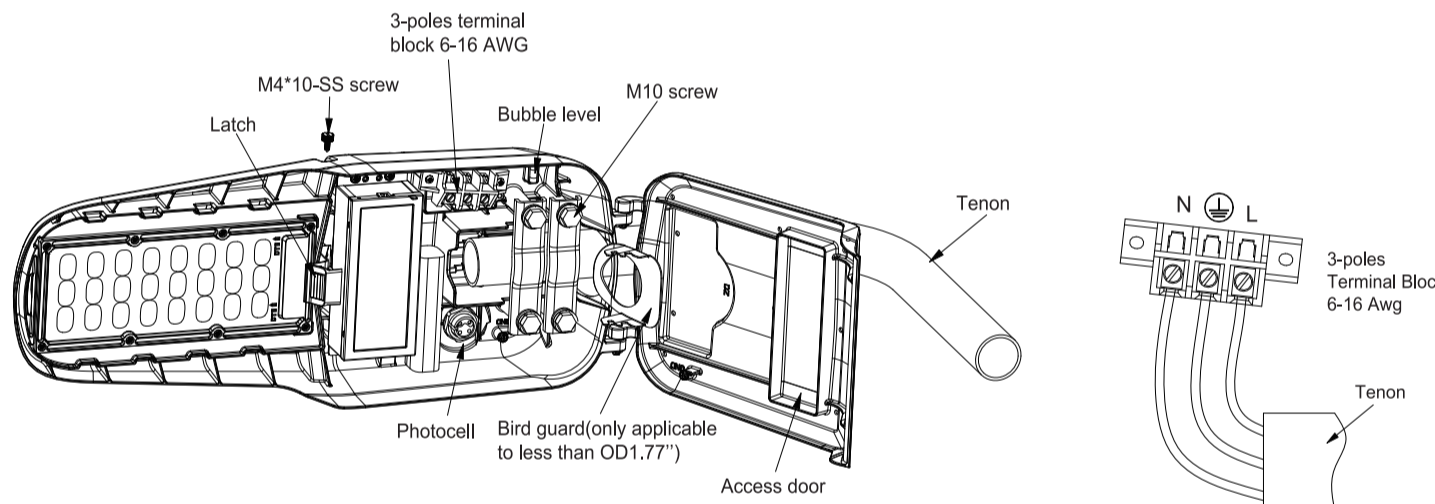
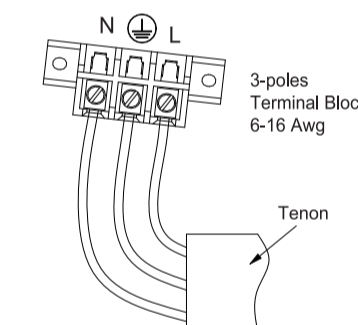
WARNING

PLEASE READ ALL INSTRUCTIONS BEFORE ATTEMPTING INSTALLATION

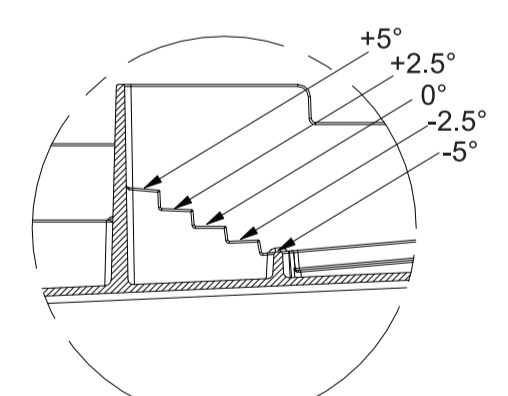
- To prevent personal injury or product damage only licensed electricians should install.
- To avoid electric shock or component damage disconnect power before attempting installation or servicing.
- This product must be installed in accordance with the national electric code (NEC) and all applicable federal, state and local electric codes and safety standards.
- Disconnect product and allow cooling prior to servicing.
- Any alteration or modification of this product is expressly forbidden as it may cause serious personal injury, death, property damage and/or product malfunction.
- To prevent product malfunction and/or electrical shock this product must be properly grounded.
- This luminaire is designed to operate in ambient temperatures ranging from -40°C to 40°C and to be horizontally mounted with the LEDs facing down.
- This product must be installed in accordance with the applicable installation code by a Person familiar with the construction and operation of the product and the hazards involved.
- MIN 75°C SUPPLY CONDUCTORS
- CONSULT A QUALIFIED ELECTRICIAN TO ENSURE CORRECT BRANCH CIRCUIT CONDUCTOR
- CAUTION - RISK OF FIRE
- This product is not available for several special environments, such as places with corrosive gas liquids or high pressure water vapor.

Installation Guide

- Loosen the side screw(M4*10), push the latch to release the access door.
- Loosen the M10 screws before sliding the fixture onto the tenon.
- Slip the fixture onto the tenon, search for approximate penetration, adjust horizontal angle properly and tighten M10 screws.
- Connect the service leads to the terminal block.
- Turn latch to reinstall the access door and the fixture is ready to be energized, tighten the side screw(M4*10)

Horizontal angle can be adjusted in 2.5° steps, ±5°



Wire Connection

Black	○	Line
White	○	Neutral
Green/Yellow Green	○	Ground
Purple	○	
Pink	○	

Note: Two dimming wire in the driver box

297mm

Warelight		(料号): 504000000315	
单位: MM	SCALE (比例):	MATERIAL 材料:	(品名):
THIRD ANGLE PROJECTION 第三角投影		FINISHING 表面效果	(图号): 504000000315-4001DS
LINEAR - .X ±0.10 - .XX ±0.05 ANGULAR - ±1/2°	DRAW (繪圖):	DATE (日期):	(图档路径):
		2022/06/02	共 1 页 版本:A0 第 1 页 图纸:A4

设计: 卢昭燕 审核: 质量: 标准化: 批准: