

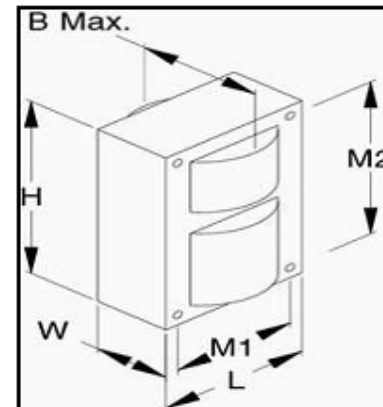
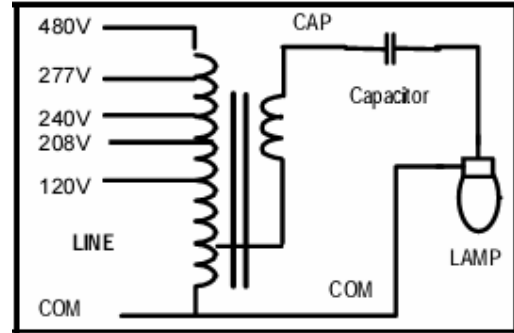


Catalog#	BB-0250MHC6CC
Type:	250W Metal Halide
Voltage:	5Tap(120/208/240/277/480)

General Information

Lamp Type	250W MH
ANSI Designation	M58
Line Voltage(V)	120/208/240/277/480
Regulation	10%
Frequency(Hz)	60
Recommended Fuse(A)	8/5/4/3/2
Circuit Type	CWA
Insulation Class	180°C
Capacitor Value	15UF
Capacitor Voltage Rating	400V
Cap.Temp.Rating	90°C
Winding Materials(Pri/Sec)	Al/Al
Lamp Starter	N/A
Agency Certification	RU,cRU
Maximum Distance to Lamp	N/A

Wiring Diagram



Electrical Characteristics

Line Volt (V)	Power Factor	Line Current (A)			Input Power (W)	Open Circuit Voltage (V)	Min Start Temp.
		Operating	Open	Start			
120	High	2.70	2.31	1.50	286	300	-30°C
208	High	1.60	1.34	1.00	286	300	-30°C
240	High	1.30	1.17	0.80	286	300	-30°C
277	High	1.20	1.01	0.70	286	300	-30°C
480	High	0.60	0.57	0.40	286	300	-30°C

Physical Characteristics

Overall Dimensions (Inches)				Mounting Holes (Inches)			Bracket Dimension (Inches)		Ballast Net Weight (KG)	Lead Length (Inches)
Length	Width	Height	B max.	Diameter	M1	M2	Length	Width		
4.30	1.77	4.80	3.7	0.25	3.87	4.38	7.25	1.11	4.80	12-14