



5 CCT & 3 Watts Tunable LED tube

Date:..... Location:

Product:..... Project:.....

Quantity:..... Catalog#



FEATURES

- 12/15/18W tunable, 35/40/50/57/65K selectable. work with instant or programmed-start electronic ballasts
- B:Direct wire single end or double end power
- Super bright SMD LEDs inside.
- Aluminum housing good for heat dissipation.
- 50,000+ hour lifetime
- Suitable for dry and damp indoor locations
- Operating temperature -4°F to +113°F
- ETL DLC Listed

SUITABLE APPLICATIONS

- Office Lighting
- Meeting room lighting
- Store lighting
- Restaurant lighting



CONSTRUCTION:

Alluminum housing,high lumen out Led Chip

ELECTRICAL:

Available as 120-277V input. -4°F to +113°F

OPTICAL SYSTEM:

High transmission PC lense,120°beam angle

INSTALLATION&MOUNTING:

Bypass ballast with Single- or double-ended wiring

WARRANTY:

5-year limited warranty. Actual performance may differ as a result of end-user environment and application.

PERFORMANCE

Model NO	TunableWattage	Voltage/Current Input		Size[G13]	Light Efficiency	Tunable CCT
		120V(A)	277V(A)			
LS-ALT8-4FTAB-ZZW-CCT	12W/15W/18W	0.10-0.15	0.04-0.06	4' LED T8 Tubes	130-140LM/W	35/40/50/57/65K

5 CCT & 3 Watts Tunable LED tube

► Electric Characteristic

PRODUCT ORDERING GUIDE

LS-ALT8-XFTAB-ZZW-CCT
1 2 3 4 5 6

[LS] - [ALT8] [XF] [TAB] [ZZW] [CCT]

- LS Factory code
- ALT8 Plastic / Aluminum T8 tubes
- XF Nominal Length TAB TYPE A + B
- ZZW Wattage CCT Color Temperature

OPTIONAL EMERGENCY TUBE

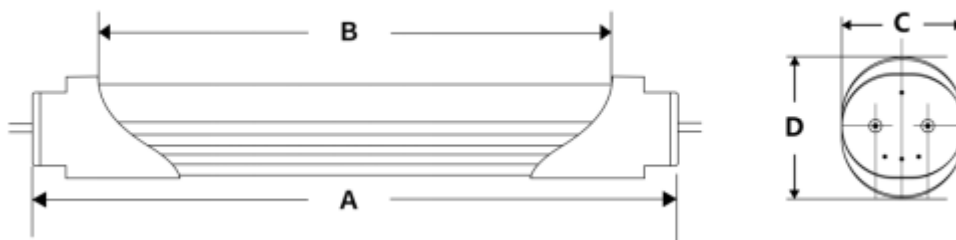
Emergency LED TUBE Backup.
 CODE: EMT8-18WBC-50K



► Electric Characteristic

Specification/Model	LS-ALT8-4FTAB-ZZW-CCT		
LED Driver	UL Type A+B Driver		
Input power	12W	15W	18W
Lumens output	1650LM	2000LM	2300LM
Efficiency	140LM/W	135LM/W	130LM/W
CRI	>80	>80	>80
Color Temperature	35/40/50/57/65K	35/40/50/57/65K	35/40/50/57/65K
Input voltage	120-277V/AC	120-277V/AC	120-277V/AC
Light distribution type	120D	120D	120D
Working temperature	-4°F to +113°F	-4°F to +113°F	-4°F to +113°F
Junction temperature	<75°C	<75°C	<75°C
lamps efficiency	≥90%	≥90%	≥90%
Certificate	ETL cETL DLC	ETL cETL DLC	ETL cETL DLC
Equivalent	24-80W MH/HPS	24-80W MH/HPS	24-80W MH/HPS

► DIMENSION

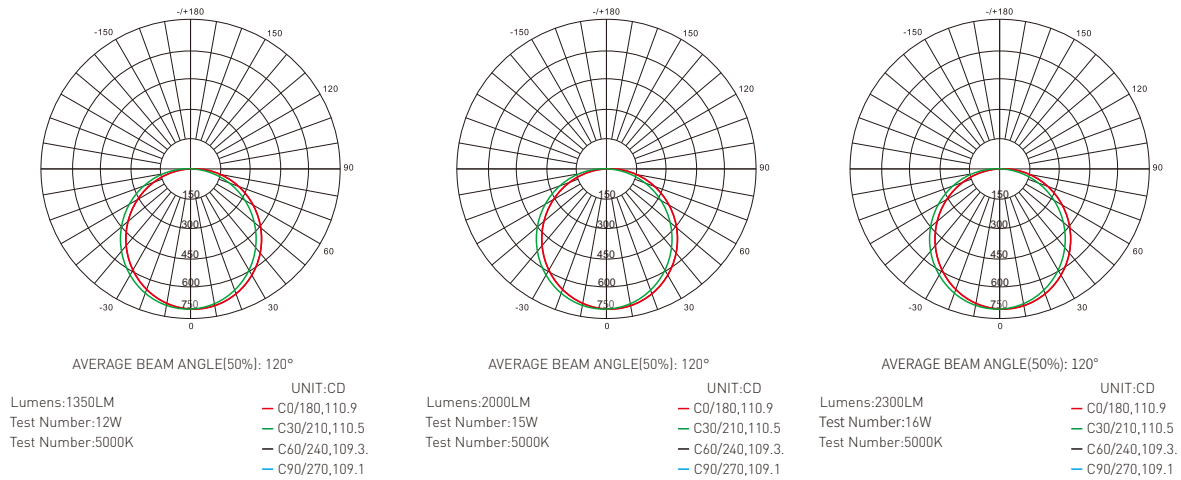


A (Body Length)	47.17"
B (Illuminated Length)	45.47"
C (Width)	1.32"
D (Height)	1.15"

5 CCT & 3 Watts Tunable LED tube

DISTRIBUTION DIAGRAM

LS-ALT8-4FTAB-ZZW-CCT

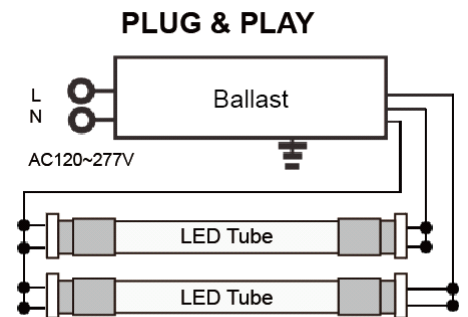


INSTALLATION INSTRUCTIONS

DIRCT REPLACEMENT (WITH EXISTING BALLAST)

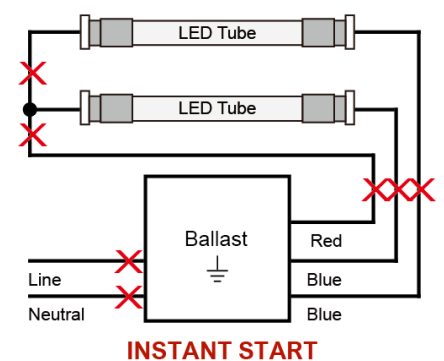
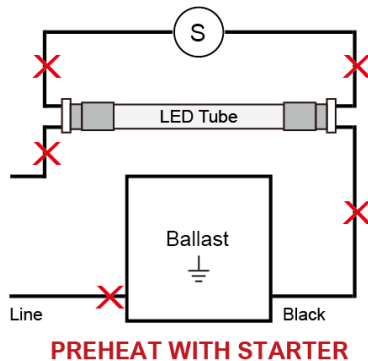
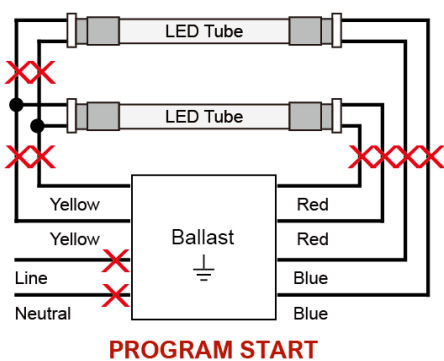
* Warning: Check Ballast Compatibility List before installation

1. Turn power off.
2. Remove lens or diffuser, if applicable.
3. Remove existing fluourescent lamp(s) from the luminaire.
4. Install the LED replacement lamp(s), one lamp for each fluourescent lamp removed*
5. Replace lens or diffuser back in place, if applicable.
6. Turn power back on.



BY-PASS REPLACEMENT (WITHOUT BALLAST)

1. Disconnect power from fixture.
2. Remove fluourescent lamps.
3. Remove lens and wiring compartment, if applicable.



4. Cut all wires connected to ballast [see Figure A: Typical Ballast Configurations].

