

LED SION LED CANOPY LUMINAIRE



Project Information

Type _____

Name _____

Voltage _____

Product Description

LED SION Canopy Light has a traditional canopy light look design intended for outdoor ceiling mounted applications, combines the brightest 130lm/w above LED technology including IP65 LED driver LED driver and thermal management. high-performance illumination that lasts 50,000HRS, Its ideal for replacing 100-250W metal halide, with typical energy savings of 80%.



Application

General bus station/parking garage.



Electric Characteristic

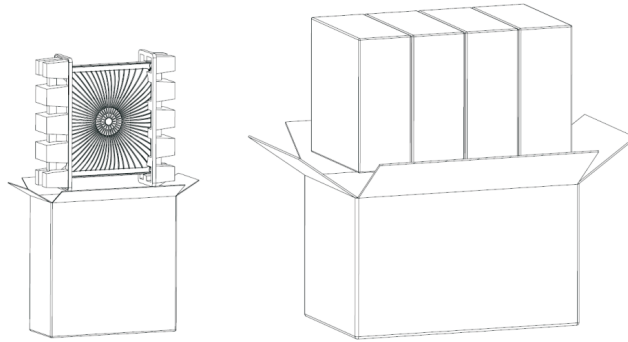
Specification/Model	LS-NCP55WV2-aaK
LED Chips	PHILIPS LUXEON 3030 LED
Input power	55W
Lumens output	5400-6000LM
Efficiency	100-115LM/W
CRI	>75Ra
Color Temperature	4000K/5000K/5700K
Input voltage	100-277V 50/60Hz (China Brand Driver)
Light distribution type	160D
Working temperature	-20~+45°C
Junction temperature	<75°C
lamps efficiency	≥90%
Certificates	UL, cUL, DLC
Equivalent	100-150W MH/HPS

Ordering Information

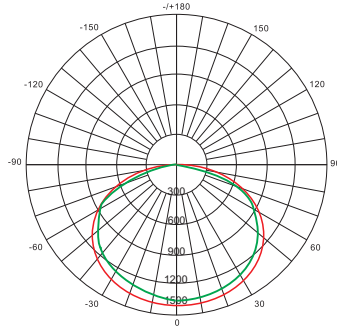
Example: LS-NCPXWV2-50K-N-T

Product	Power	Replacement	Color Temperature	Photocell	Furnish
LS-NCP55WV2-aaK	55W	100-150W MH/HPS	40K 4000K 50K 5000K 57K 5700K	N not photocell	T-White

Packaging



Photometrics

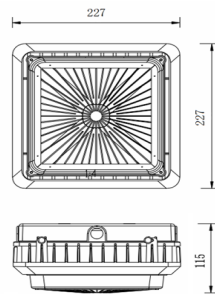


Projected LED Lumen Maintenance

Operating hours	0	25000	50000
Lumen maintenance factor	1	0.91	0.8

Data references the extrapolated performance projections for the Canopy Light platform in a 25°C ambient, based on 10,000 hours of LED testing (tested per IESNA LM - 80-08 and projected per IESNA TM-21-11).

Dimensions: mm



After Sale Service:

The product refers to electricians' knowledge. Please don't disassemble it by yourself. If any quality problem happens, please contact the factory for warranty details.

NOTE: Actual performance may differ as a result of end-user environment and application. All values are without notice.