



# LED Garage Light

## Product Description

LED SION Garage Light use best die-casting aluminum housing, anti-corrosion painting IP65 design. High-performance illumination that lasts 50,000HRS. 10KV surge protection. Replace 100-180W MH/HPS.

## Advantage

- ETL certificate.
- Seoul Chip, high CRI.
- IP65 driver, input voltage 100-277VAC.
- Output constant current lever can be Adjusted through output cable with 1-10V.
- No UV or IR in the beam.
- Easy to install and operate.
- Energy saving, long lifespan.
- Light is soft and uniform, safe to eyes.
- Instant start, NO flickering, NO humming.



## Applications

Widely used in underground parking lot, garage and so on..



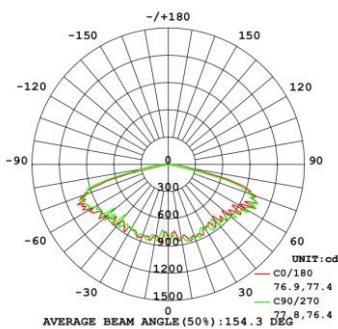


# LED Garage Light

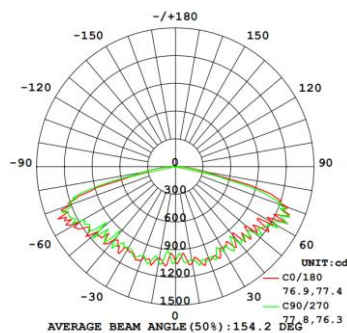
## Specifications

<b>Model No.</b>	LS-3NCP30W-XXK-X(Z)	LS-3NCP40W-XXK-X(Z)	LS-3NCP60W-XXK-X(Z)
<b>Input Power</b>	30W	40W	60W
<b>Lumen</b>	3750-4200 LM/W	5000-5600 LM/W	7500-8400 LM/W
<b>Lumen Efficacy</b>	125-140 LM/W		
<b>Color Temperature</b>	3000K, 4000K, 5000K		
<b>CRI</b>	>70		
<b>Viewing Angle</b>	110 Degree		
<b>Input Voltage</b>	100-277VAC 50/60Hz		
<b>PF</b>	≥0.9		
<b>THD</b>	≤20%		
<b>Driver Brand</b>	China brand UL driver		
<b>Optional Accessory</b>	Photocell / Motion sensor		
<b>LED Brand</b>	PHILIP		
<b>LED Type</b>	SMD3030		
<b>LED QTY</b>	48 PCS	48 PCS	72 PCS
<b>Housing</b>	Aluminum Alloy		
<b>Housing Color</b>	White/Customized		
<b>Waterproof Rating</b>	WET (IP65)		
<b>Operating Temperature</b>	-40°C TO 45°C		
<b>Operating Humidity</b>	20%-90% RH		
<b>Storage Temperature</b>	-40°C TO 80°C		
<b>Storage Humidity</b>	10%-95% RH		
<b>Warranty Time</b>	5 Years		
<b>Option Note</b>	<p>All models are similar in electrical mechanical construction . Difference among they are No. of LEDs and Wattage</p> <p>-XXK denotes CCT, which can be 30K, 40K or 50K</p> <p>-F denotes Ivory diffuser and -C denotes transparent diffuser</p> <p>(Z) denotes with sensor and blank denotes without sensor</p>		

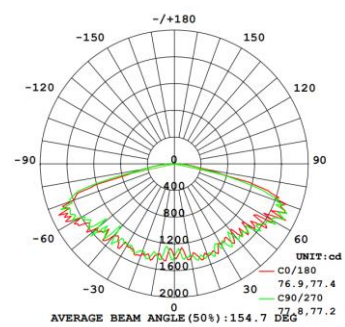
## Photometrics



30W



40W



60W

<http://www.ledsion.com>

FREE: 1-9729517795

E-mail: info@ledsion.com

Add: 3#GUANLAN OPTO INDUSTRIAL PARK, SHENZHEN, GUANGDONG, CHINA



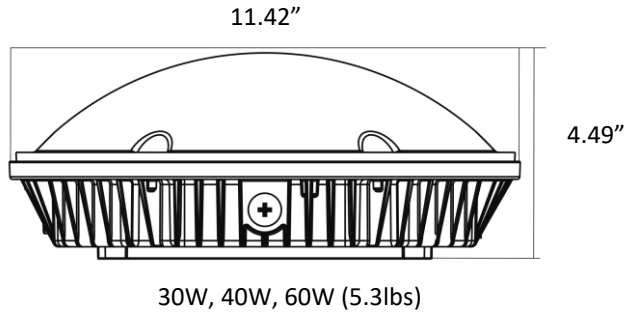
# LED Garage Light

## Projected LED Lumen Maintenance

Operating hours	0	25000	50000
Lumen maintenance factor	1	0.91	0.8

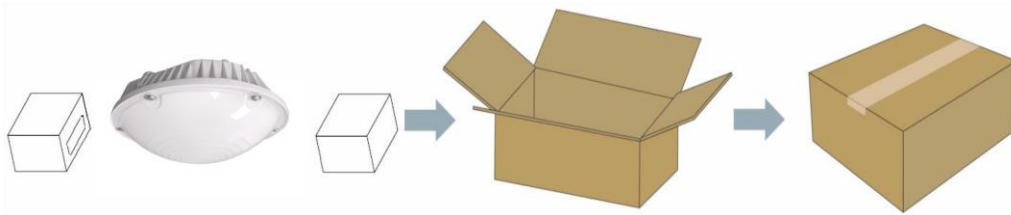
Data references the extrapolated performance projections for the Garage LED platform in a 25°C ambient, based on 10,000 hours of LED testing (tested per IESNA LM-80-08 and projected per IESNA TM-21-11).

## Dimensions



## Package

2pcs/CTN Size: 36\*31\*35cm



## Installation

Surface-mounted with J-BOX

<p>1. Loosen the screw on the side of the housing and pull out the connecting plate</p>	<p>2. Fix the connecting plate onto the ceiling and put the wire through center hole</p>	<p>3. Buckle the connecting plate into the clips and connect the wires as following shows</p>	<p>4. Slide lamp back into the connecting plate and fix the screw that is removed in step one</p>
		<p>Black — Line White — Neutral Green/Yellow — Ground</p>	

<http://www.ledsion.com>

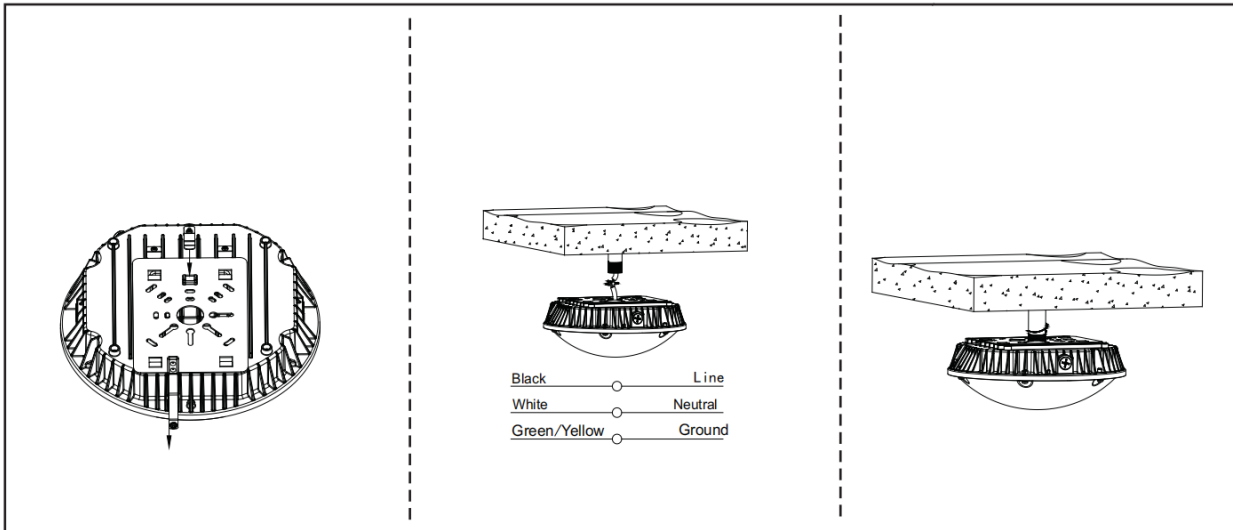
FREE:1-9729517795

E-mail:info@ledsion.com

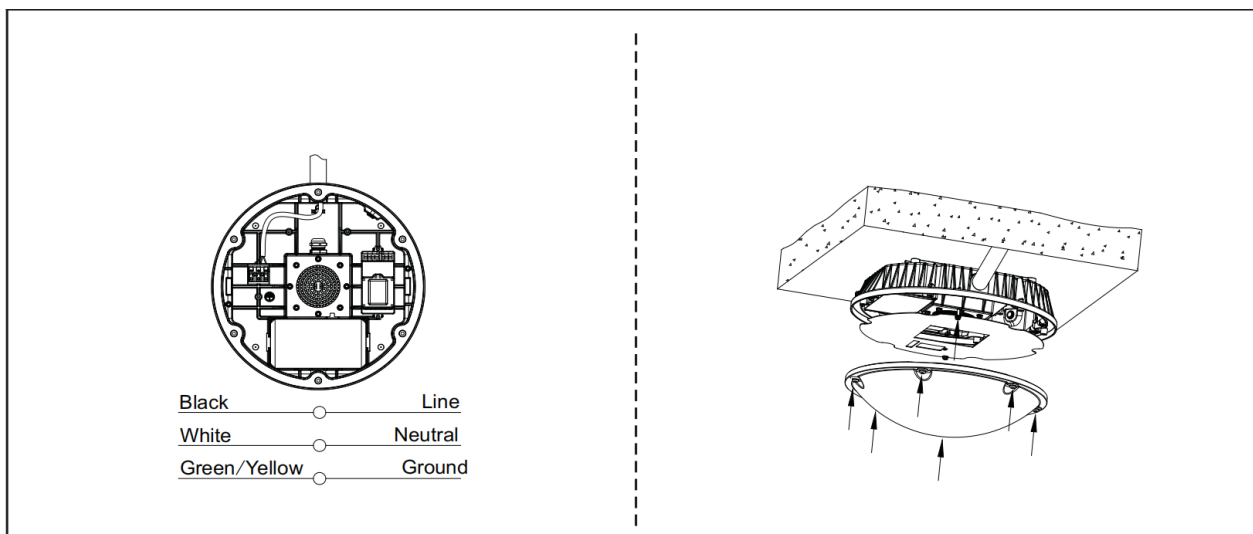
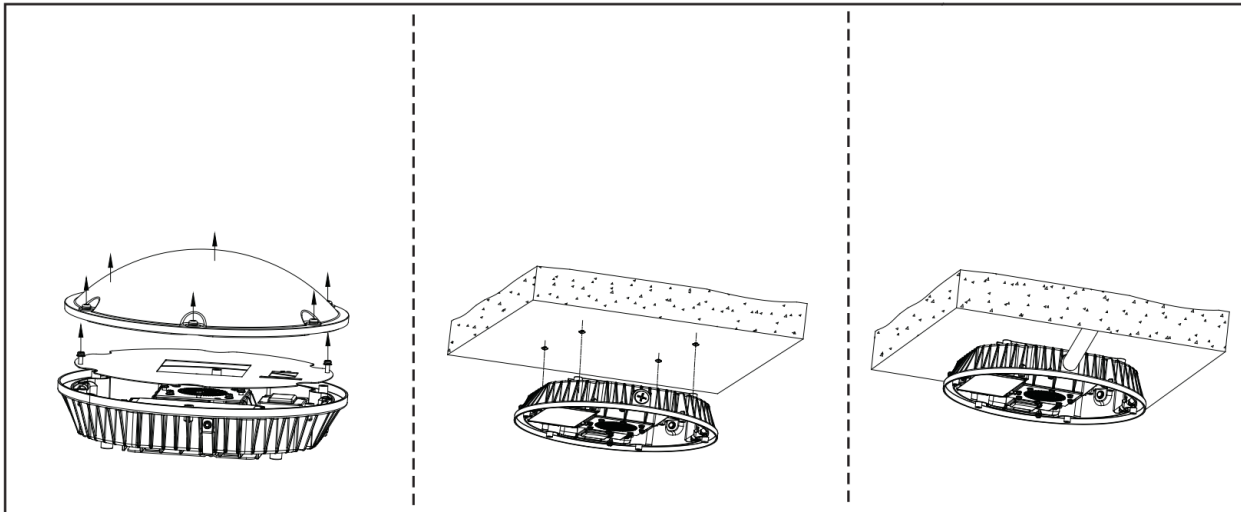
Add:3#GUANLAN OPTO INDUSTRIAL PARK,SHENZHEN,GUANGDONG,CHINA

# LED Garage Light

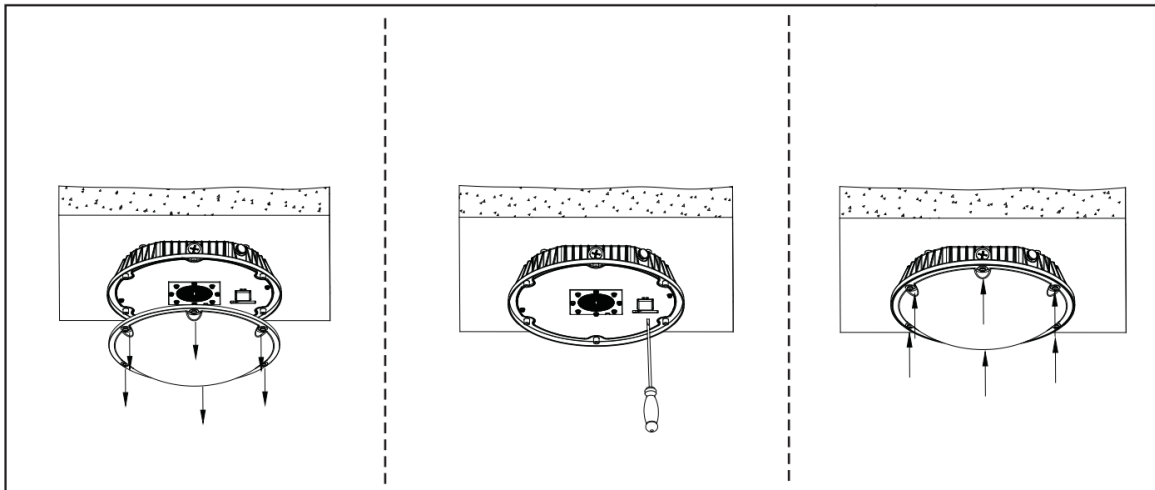
## Pendent Installation with 3/4 inch conduit



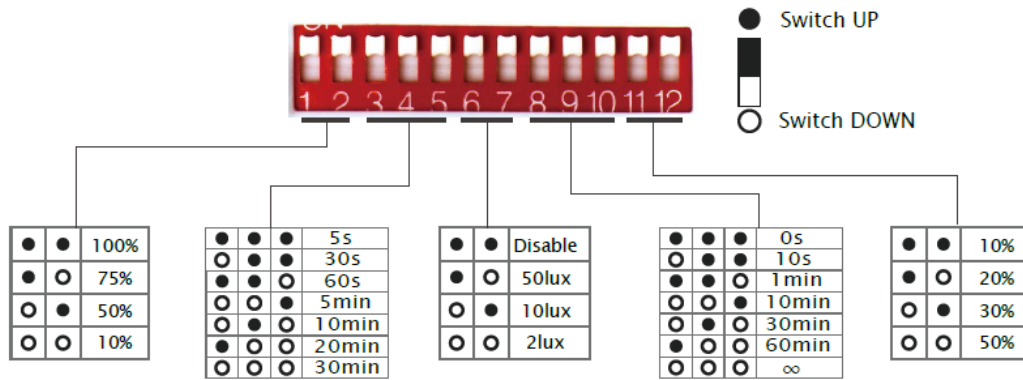
## Surface-mounted with side-wiring



# LED Garage Light



## Settings



### Detection area

In this area, movement will be detected and able to trigger the sensor. 100% detection area is also known as the strong sensitivity.

### Hold-time

The period of light keeping 100% brightness after moving objects leave the detection area.

### Daylight threshold

Definition of the ambient brightness; only when the ambient brightness is lower than the preset specific lux amount, the sensor will work; when it's preset as "disable", the sensor works everytime it detects motion regardless the ambient brightness.

### Stand-by period

The period of light keeping low output before it's completely switched off. When it's preset as "∞", the light always keep at low output if no movement in the detection area and doesn't turn off.

### Stand-by dimming level

The definition of low output in the standby period.



# LED Garage Light

---

## Warning

Do Not Use Other Devices for LED Garage Light, Installation Such as Stabilizer, Regulator ...etc  
Do Not Open the Light Engine  
Do Not Soak the LED Street Light into Water  
Do Not Light up the System Without Grounding  
1-10V dimming need to be customized