

#### **SERIES:**

#### **LSWX-5-30W-xxK-PC**

xx=CCT (30=3000K, 40=4000K, 50=5000K)

#### **Model number parameter list:**

Item	Model	Input Voltage	Power Factor	Watt	Input Current
A	LSWX-5-30W-xxK-PC	120-277V AC	≥0.9	5W/10W/20W/30W	0.32A

CAUTION: This product use an input 120-277VAC driver of wide range voltage.



#### **1. Introduction**

- This LED Wall-Packs light uses the latest in solid state lighting technology for long life, low maintenance, and high efficiency.
- An internal power-factor-corrected switch-mode supply allows it to be used from any nominal 120V-277V, 60Hz AC supply without any variation in light output.
- Suitable for use in the following locations:
  - Ambient Temp: -4~+104°F
  - Wet Locations

**Note:** Save these instructions for future reference.

#### **2. Installation**

##### **Warning:**

To avoid the risk of fire, or electric shock, this product should be installed, inspected, and maintained by a qualified electrician only, in accordance with all applicable electrical codes.

**Warning:**

To avoid electric shock:

- Be certain electrical power is OFF before and during installation and maintenance.
- Luminaire must be connected to a wiring system with an equipment-grounding

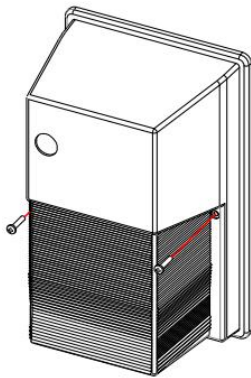
**Warning:**

To avoid explosion:

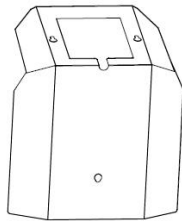
- Make sure the supply voltage is the same as the rated luminaire voltage.
- Do not operate in ambient temperatures above those indicated on the luminaire nameplate.

For supply connections use wire rated for at least 194°F

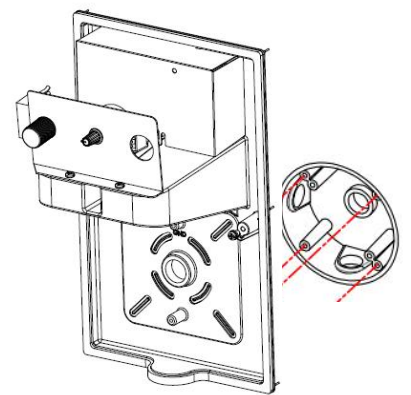
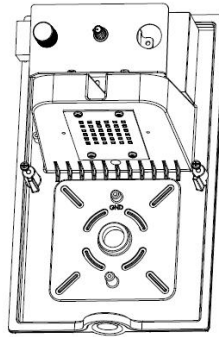
**Installation Steps:**



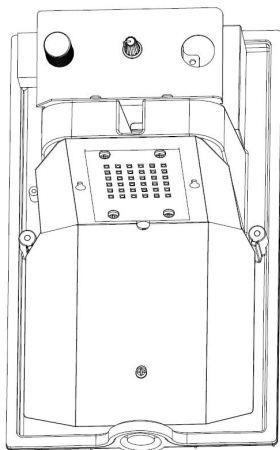
Step1: Turn on the screws on both sides of the lamp shade, then take off the lamp shade.



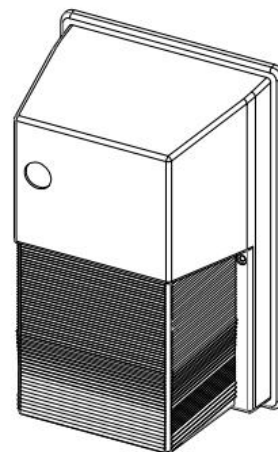
Step2: Loosening the two screws as shown in the picture, take off the driver box.



Step3: Using tools to open the installation position of Junctions Box, then fix the lamp on Junctions Box.



Step4: The driver box back to its original position.

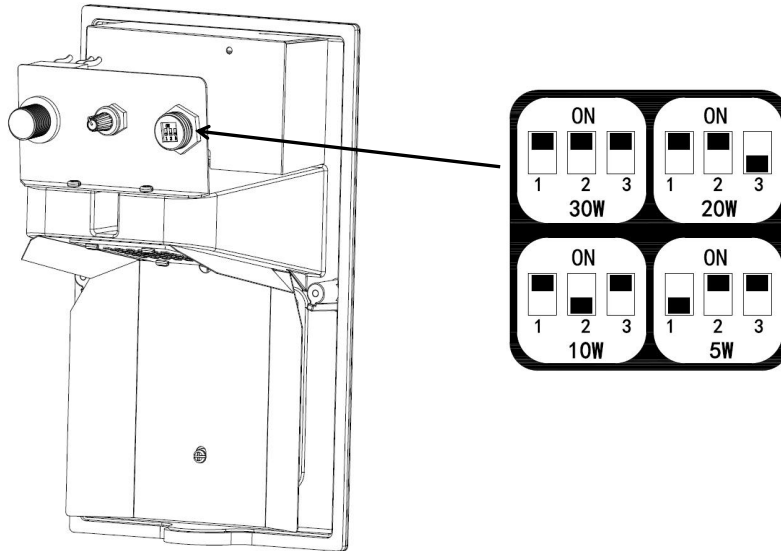


Step5: Install shade.

## Wattage tunable

### Diagrams and Methods of Watt Selectable Function:

According to the watt selectable label shown in the diagram, please toggle the DIP switch 1,2,3 to select the corresponding watt.



### After installation, please

- check whether the lighting fixture is firmly fixed.
- check whether wires are connected correctly.
- *At last, turn on the power, and check if the lighting fixture works well. If not, please turn off the power and contact with local dealer.*