

INSTALLATION INSTRUCTIONS

Please carefully read and save these instructions. Failure to do so may lead to electrical shock or fire, which could cause injury or death.

CAUTION

Risk of fire: Min 90°C supply conductors. Consult a qualified electrician to ensure correct branch circuit conductor.

GENERAL

- ☒ All electrical connections must be in accordance with National Electrical Code (NEC) and local codes. Prior to installation, it is important to follow the following guidelines:
- ☒ Turn off the main power at the circuit breaker before installing the fixture, to prevent possible shock.
- ☒ Be sure that all wires were not damaged during installation and that there are no rough or sharp edges in contact with the wires.

ASSEMBLY AND INSTALLATION

Tools needed for installation: Flathead screwdriver, pliers, pencil, drill, 1/4 inch drill bit

PREPARATION

1. Turn off the power at the circuit breaker box.
2. Remove existing fixture diffuser. Carefully separate the diffuser (A) from the fixture channel. *Note: The diffuser(A) is very fragile.* (Fig.1)
3. Open Wire way compartment cover.(B) (Fig.1)
4. Punch out the End-cap knockout (D) using a flathead screwdriver. Use pliers to remove the End-cap knockout (D) from the fixture channel (B). (Fig.1)

INSTALLATION

1. End cap should be pressed onto the end of the channel, until the notch-lock is firmly locked.
2. Mount fixture in desired spot.(Make sure the mounting surface is structurally sound). Pull supply and ground wires in to Housing channel, through, the knock out hole for wiring.
3. Electrical Connections: Connect green/or bare copper wire to the green ground wire of Fixture.(Ground wire must be properly attached or unit may not work).Connect the white supply wire to the white fixture wire, cover them with a wire nut/or twist together and cover really well with Electrical tape. Connect the black supply wire to the black fixture wire, cover them with a wire nut/ or twist together and cover really well with Electrical tape.(Fig.2)

4. If a ceiling joist is encountered during drilling, do not continue. Use a 2 - #8 wood screw (not included) instead of the hardware.
5. 0~10V dimmer control wires(gray and purple).Must be connected through a separate dedicated knockout. Connect gray(-)supply wire to gray driver leads. Connect purple(+) wire to purple driver leads. Warning: Do not connect high voltage wires to low voltage controls, doing so will permanently damage LED driver.
6. Install the driver cover.(C)
7. Install the diffuser (A).
8. Restore power at the circuit breaker box.

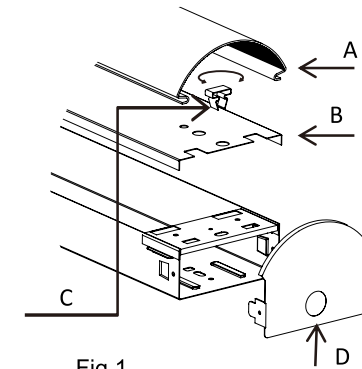
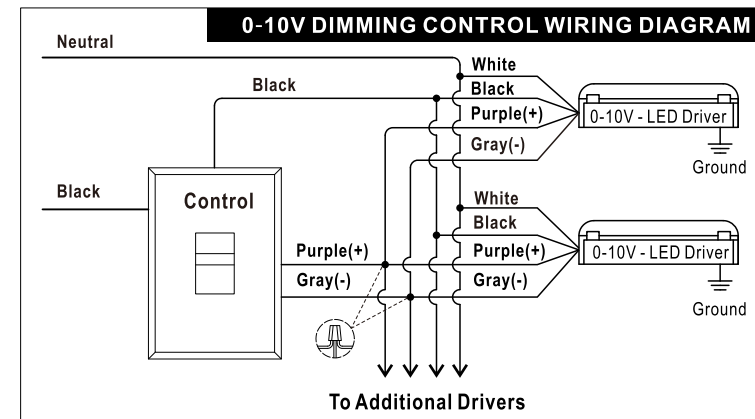


Fig. 1

Fig 2



Performance Information

Model \ Items	Input Voltage	Input Current(A)	Power Factor	Power (W)	Luminous Flux(LM)	Color Temperature	Color Rendering Index (RA)	Rated R9	Rated Life	THD
LSL-4FT-40W-30K-D-E	120-277VAC	0.31	>0.90	40	4600	3000K	>80	16	>50000H	<20%
LSL-4FT-40W-35K-D-E	120-277VAC	0.31	>0.90	40	4600	3500K	>80	16	>50000H	<20%
LSL-4FT-40W-40K-D-E	120-277VAC	0.31	>0.90	40	4600	4000K	>80	16	>50000H	<20%
LSL-4FT-40W-50K-D-E	120-277VAC	0.31	>0.90	40	4600	5000K	>80	14	>50000H	<20%
LSL-8FT-80W-30K-D	120-277VAC	0.65	>0.90	80	9200	3000K	>80	16	>50000H	<20%
LSL-8FT-80W-35K-D	120-277VAC	0.65	>0.90	80	9200	3500K	>80	16	>50000H	<20%
LSL-8FT-80W-40K-D	120-277VAC	0.65	>0.90	80	9200	4000K	>80	16	>50000H	<20%
LSL-8FT-80W-50K-D	120-277VAC	0.65	>0.90	80	9200	5000K	>80	16	>50000H	<20%
LSL-8FT-84W-30K-D-HL	120-277VAC	0.75	>0.90	84	11000	3000K	>80	14	>50000H	<20%
LSL-8FT-84W-35K-D-HL	120-277VAC	0.75	>0.90	84	11000	3500K	>80	14	>50000H	<20%
LSL-8FT-84W-40K-D-HL	120-277VAC	0.75	>0.90	84	11000	4000K	>80	14	>50000H	<20%
LSL-8FT-84W-50K-D-HL	120-277VAC	0.75	>0.90	84	11000	5000K	>80	14	>50000H	<20%

All fixture is 0 - 10V dimmable.

Joinable 8FT strip light installation instructions

Please carefully read and save these instructions. Failure to do so may lead to electrical shock or fire, which could cause injury or death.

CAUTION

Risk of fire: Min 90°C supply conductors. Consult a qualified electrician to ensure correct branch circuit conductor.

GENERAL

- ☒ All electrical connections must be in accordance with National Electrical Code (NEC) and local codes. Prior to installation, it is important to follow the following guidelines:
- ☒ Turn off the main power at the circuit breaker before installing the fixture, to prevent possible shock.
- ☒ Be sure that all wires were not damaged during installation and that there are no rough or sharp edges in contact with the wires.

ASSEMBLY AND INSTALLATION

Tools needed for installation: Flathead screwdriver, pliers, pencil, drill, 1/4 inch drill bit

INSTALLATION

1. Turn off the power at the circuit breaker box.
 2. Remove the diffuser and quarter turner fasteners (C) (4pcs) then remove wire way compartment cover. (Fig 1)
 3. Install the connecting bracket to fixture channel, and make sure the connecting bracket is well installed. (Fig 3)
 4. Fasten the screws on both 3 sides of fixture channel. (Fig 4)
 5. Connect the quick connector.
- Successfully install the fixture on ceiling or wall -----
6. Install the wire way compartment and fasten the 4pcs quarter turner fasteners. (Fig 2)
 7. Install the diffusers. (Fig 1)
 8. Install the diffuser connector. (Fig 5)
 9. Mount fixture in desired spot. (Make sure the mounting surface is structurally sound). Pull supply and ground wires in to Housing channel, through, the knock out hole for wiring.
 10. Electrical Connections: Connect green/or bare copper wire to the green ground wire of Fixture. (Ground wire must be properly attached or unit may not work). Connect the white supply wire to the white fixture wire, cover them with a wire nut/or twist together and cover really well with Electrical tape. Connect the black supply wire to the black fixture wire, cover them with a wire nut/ or twist together and cover really well with Electrical tape. (Fig.6)

11. If a ceiling joist is encountered during drilling, do not continue. Use a 2" - #8 wood screw (not included) instead of the hardware.
12. 0~10V dimmer control wires (gray and purple). Must be connected through a separate dedicated knockout. Connect gray(-) supply wire to gray driver leads. Connect purple(+) wire to purple driver leads. Warning: Do not connect high voltage wires to low voltage controls, doing so will permanently damage LED driver.
13. Restore power at the circuit breaker box.

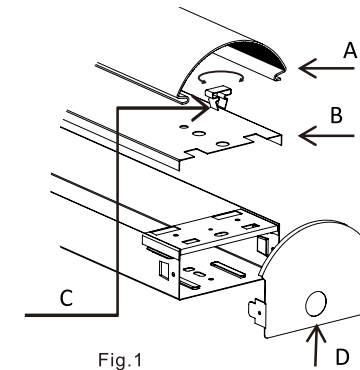


Fig.1

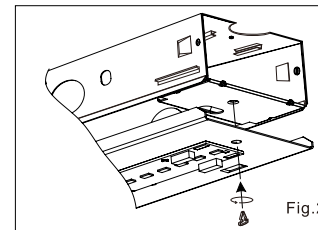


Fig.2

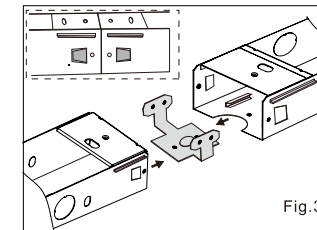


Fig.3

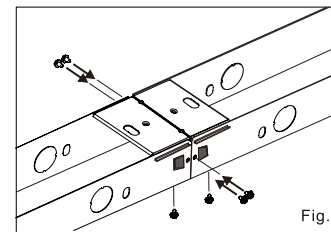


Fig.4

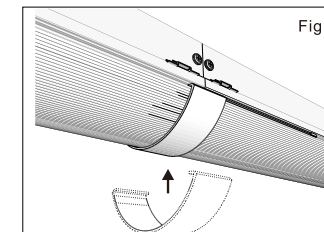


Fig.5

Install the diffuser connector and make sure the gap of lens has been covered.

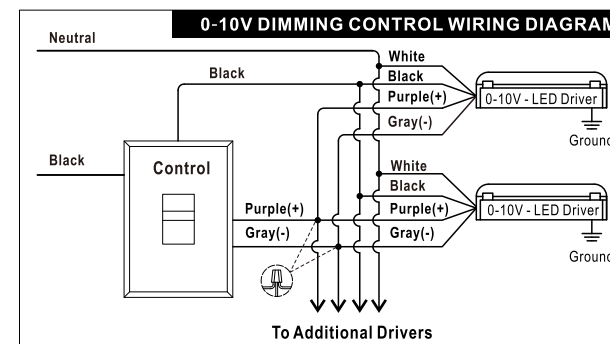


Fig.6

Performance Information

Model \ Items	Input Voltage	Input Current(A)	Power Factor	Power (W)	Luminous Flux(LM)	Color Temperature	Color Rendering Index (RA)	Rated R9	Rated Life	THD
LSL-8FT-80W-30K-D-A	120-277VAC	0.65	>0.90	80	9200	3000K/4000K/5000K	>80	16	>50000H	<20%
LSL-8FT-80W-35K-D-A	120-277VAC	0.65	>0.90	80	9200	3000K/4000K/5000K	>80	16	>50000H	<20%
LSL-8FT-80W-40K-D-A	120-277VAC	0.65	>0.90	80	9200	3000K/4000K/5000K	>80	16	>50000H	<20%
LSL-8FT-80W-50K-D-A	120-277VAC	0.65	>0.90	80	9200	3000K/4000K/5000K	>80	16	>50000H	<20%

All fixture is 0 - 10V dimmable.

MCT strip light installation instructions

Please carefully read and save these instructions. Failure to do so may lead to electrical shock or fire, which could cause injury or death.

CAUTION

Risk of fire: Min 90°C supply conductors. Consult a qualified electrician to ensure correct branch circuit conductor.

GENERAL

- ☒ All electrical connections must be in accordance with National Electrical Code (NEC) and local codes. Prior to installation, it is important to follow the following guidelines:
- ☒ Turn off the main power at the circuit breaker before installing the fixture, to prevent possible shock.
- ☒ Be sure that all wires were not damaged during installation and that there are no rough or sharp edges in contact with the wires.

ASSEMBLY AND INSTALLATION

Tools needed for installation: Flathead screwdriver, pliers, pencil, drill, 1/4 inch drill bit

PREPARATION

1. Turn off the power at the circuit breaker box.
2. Remove existing fixture diffuser. Carefully separate the diffuser (A) from the fixture channel. *Note: The diffuser(A) is very fragile.* (Fig.1)
3. *Open Wire way compartment cover.(B)* (Fig.1)
4. Punch out the End-cap knockout (D) using a flathead screwdriver. Use pliers to remove the End-cap knockout (D) from the fixture channel (B). (Fig.1)

INSTALLATION

1. End cap should be pressed onto the end of the channel, until the notch-lock is firmly locked.
2. Mount fixture in desired spot.(Make sure the mounting surface is structurally sound). Pull supply and ground wires in to Housing channel, through, the knock out hole for wiring.
3. Electrical Connections: Connect green/or bare copper wire to the green ground wire of Fixture.(Ground wire must be properly attached or unit may not work).Connect the white supply wire to the white fixture wire, cover them with a wire nut/or twist together and cover really well with Electrical tape. Connect the black supply wire to the black fixture wire, cover them with a wire nut/ or twist together and cover really well with Electrical tape.(Fig.2)

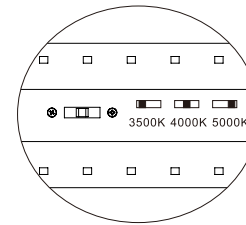


Fig.3

Switch for select LED colour

4. If a ceiling joist is encountered during drilling, do not continue. Use a 2 - #8 wood screw (not included) instead of the hardware.
5. 0~10V dimmer control wires(gray and purple).Must be connected through a separate dedicated knockout. Connect gray(-)supply wire to gray driver leads. Connect purple(+) wire to purple driver leads. Warning: Do not connect high voltage wires to low voltage controls, doing so will permanently damage LED driver.
6. Install the driver cover.(C)
7. Install the diffuser (A).
8. Restore power at the circuit breaker box.

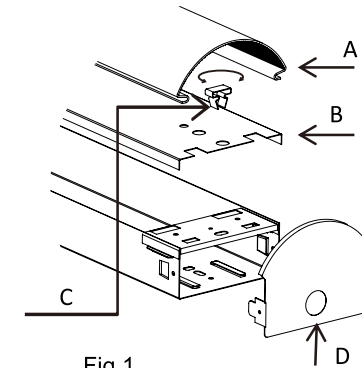
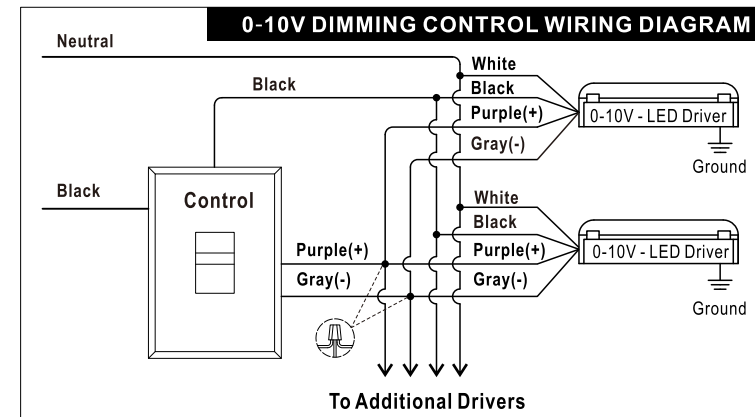


Fig 1

Fig.2



Performance Information

Model \ Items	Input Voltage	Input Current(A)	Power Factor	Power (W)	Luminous Flux(LM)	Color Temperature	Color Rendering Index (RA)	Rated R9	Rated Life	THD
LSL-2FT-20W-MCT-D	100-277VAC	0.17	>0.90	20	2300	3000K/4000K5000K	>80	16	>50000H	<20%
LSL-3FT-30W-MCT-D	100-277VAC	0.25	>0.90	30	3450	3000K/4000K5000K	>80	16	>50000H	<20%
LSL-4FT-40W-MCT-D	100-277VAC	0.31	>0.90	40	4600	3000K/4000K5000K	>80	16	>50000H	<20%
LSL-6FT-60W-MCT-D	100-277VAC	0.50	>0.90	60	6900	3000K/4000K5000K	>80	16	>50000H	<20%
LSL-8FT-80W-MCT-D	100-277VAC	0.65	>0.90	80	9200	3000K/4000K5000K	>80	16	>50000H	<20%
LSL-8FT-84W-MCT-D-HL	100-277VAC	0.75	>0.90	84	11000	3000K/4000K5000K	>80	16	>50000H	<20%

All fixture is 0 - 10V dimmable.