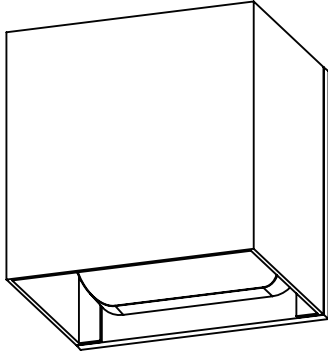


Important: Read all instructions prior to installation.

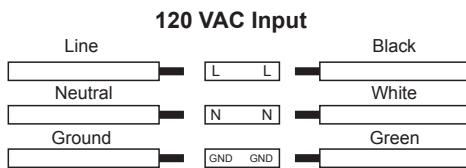
LED Wall Sconce Light



Safety and Notes

- Product should be installed and serviced in accordance with applicable national, state, and local building and electrical codes.
- To reduce the risk of electric shock, ensure that the main power source and circuit breakers are switched off before performing any installation or wiring procedures.
- Avoid looking directly into lamp when illuminated.
- Ensure all mounts are securely attached and will support the weight of the fixture. Failure to properly support fixture may result in damage or injury, for which the manufacturer does not assume responsibility.
- There are no serviceable parts inside this fixture. Do not attempt to dismantle or service this fixture in any way. If LEDs or protective lens cover are damaged, the fixture must be replaced.
- Not intended for recess mounting in any type of installation.
- Use minimum 18 AWG coated wire for supply leads and connect to 120 VAC only.

Wiring Diagram



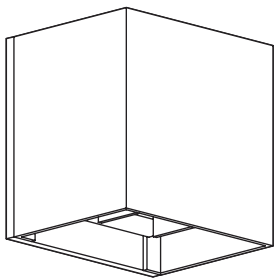
Specifications

Model	WSR/WSS Series
Operating Temperature	-22°–104° F (-30°–40° C)
Environmental Rating	Suitable for wet locations

Check product label for specific electrical specifications related to installation. Improper installation will void warranty.

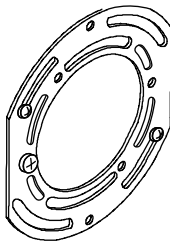
Components

1



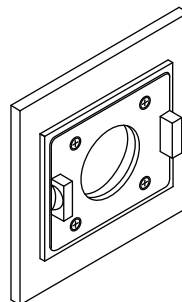
Fixture

2



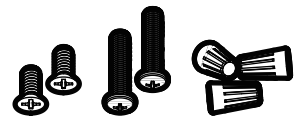
Round plate

3



Mounting plate

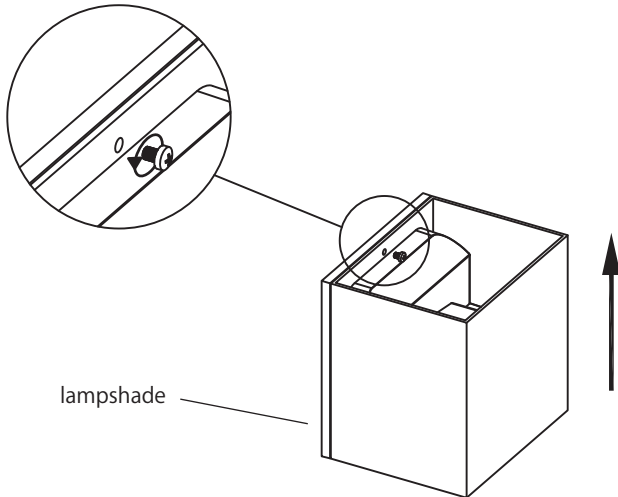
4



Mounting hardware

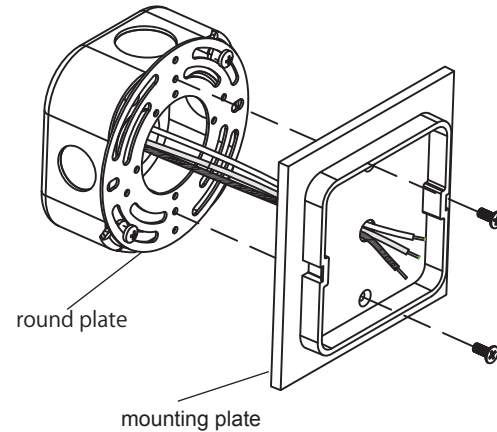
Installation

- 1** Unscrew and remove the lampshade.



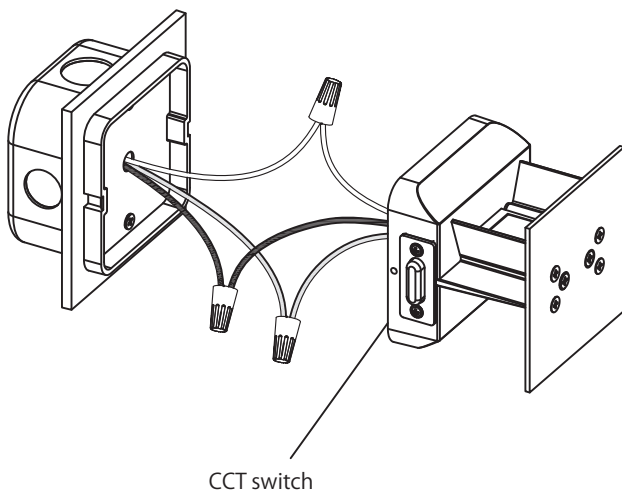
- 2** Install the junction box(not included); dimensions: 361*361*159". Install and unshield the line feed wire 6"(15 cm)and strip wires 5/8(1.6 cm).

Install the round plate on the junction box, then secure the 4 mounting plate on the round plate and install the mounting bracket on the 4 square plate.

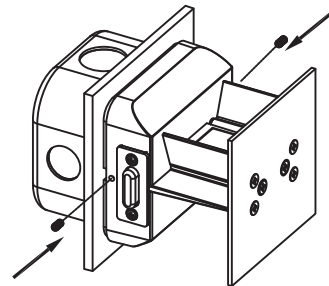


- 3** To make the connections in the compartment: use the included wire connectors to match the white wire from the line feed with the white wire from the fixture,repeat with black wire and then connect copper wire(ground)to the green wire.

Select the CCT needed.
(Available in 2700K 3000K 3500K 4000K and 5000K)



- 4** Push all the wires inside the junction box and secure the fixture on the mounting bracket using the 2 set screws.



- 5** (A)Slide the lampshade onto the fixture then
(B)Install set screw to lock lampshade in place.

