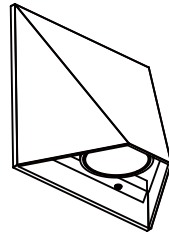


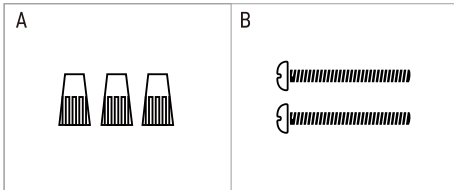
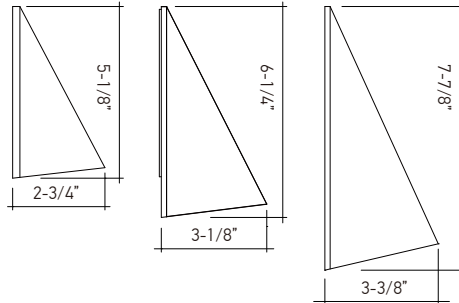
LED Outdoor Wall Light with Light Down massive modern design shape provides a high-powered illumination. It's a perfect choice for any exteriors. This energy efficient fixture made of Die-casting Aluminum body with protecting Glass lens, creates a clear and bright lighting. Suitable for wet locations, with moisture, weather, corrosion, and outdoor contaminant proof. The direction of lights keeps them out of neighbor's windows, at the same time perfectly illuminating the around area. Perfect for patio, porch, corridor, backyard, garage, garden, walkway outdoor lighting. Easy and fast installation, no bulb replacement required.



S / M / L

PACKAGE CONTENTS:

Part	Description	Q-ty
-	LED Outdoor Wall Light Cylinder	1
A	Wire nuts	3
B	Outlet box screws	2
-	Box	1
-	Installation Instructions	1



⚠ WARNING

RISK OF PERSONAL INJURY - PLEASE READ THESE INSTRUCTIONS CAREFULLY. FOLLOW ALL INSTALLATION INSTRUCTINS AND OBSERVE ALL WARNINGS.

Make sure the "supply" voltage corresponds to the "rated" product voltage 120V 60Hz.

Retain these instructions. Note: If you are an installer, please give these instructions to the property owner for future reference.

Risk of injury: Always wear the necessary safety equipment to prevent injuries when opening, handling, installing and maintaining this product.

Risk of electrical shock: This product must be installed in accordance with the applicable installation code by a professional familiar with the construction and operation of the product. The professional should also be aware of, and understand the hazards involved with the installation of this product.

Risk of Fire: Always consult with a qualified electrician to ensure the correct branch circuit conductor is utilized. The minimum conductor rating requirement is 90°C(194°F) in order to be code compliant.

INSTALLATION GUIDE

IMPORTANT SAFETY INFORMATION:

Please read all of the instructions below BEFORE installation.

- Make sure the "supply" voltage corresponds to the "rated" product voltage 120V 60Hz.
- The product MUST be installed by a qualified electrician in accordance with The National Code and corresponding local codes.
- If the product is damaged, DO NOT ATTEMPT INSTALLTION AND NO NOT USE!

INSTALLATION STEPS

Step 1 – Preparing for installation

- Disconnect electrical power at fuse or circuit breaker box before installing or servicing any part of this fixture.
- Carefully remove the fixture from the carton, remove components from hardware kit.
- Separate the mounting bracket (2) from the fixture (1) by removing two screws (4) then slightly slide bracket up and away from the tab.
- Install the mounting bracket (2) to the junction box (not included) by tighten two screws (3) to secure it.

Wiring – All wiring must take place inside junction box (not included)

Caution: Make sure power is off at fuse or circuit breaker box. Check power wires for damage or scrapes. If power supply wires are within three inches of the DOB, use wire suitable for at least 90°C (194°F). Note: Most dwellings built before 1985 have supply wire rated to 60°C. Consult a qualified electrician to ensure correct branch circuit conductor before installing.

Step 2 – Wiring fixture

- Make all wire connections to appropriate wire. Secure with wire nuts (provided).
- Connect the green wire from the fixture to the supply power source ground wire.
- For none dimming.** Connect the white wire from the fixture to the white (N) wire from supply power source. Connect the black wire from the fixture to the black (L) wire from supply power source.
- For TRIAC dimming.** Connect the white wire from the fixture to corresponding white (N) wire in accordance with the dimmer manufacturer instructions. Connect the black wire from the fixture to the corresponding control line (L) wire in accordance with the dimmer manufacturer instructions.
- Do not mix wires. Pull on each wire lead to make sure connections are secure. Make certain no bare wires are exposed outside of wire connectors. Tuck all connections neatly into junction box.

Step 3 – Color Changing Temperature Adjustment, CCT (if desired)

- Adjust CCT switch on the back of the fixture prior to mounting accordingly to the desired color temperature as seen below. Note: Fixture is preset to 3000K from factory.

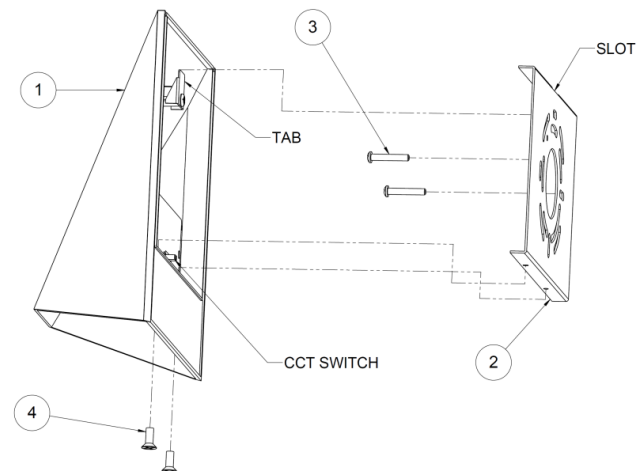
Step 4 – Mounting

- Install the fixture (1) by slanting top tab into the slot of the mounting bracket (2) and align bottom holes together then using two screws (4) to secure it.

Step 5 – For wet application

- Apply a small amount of silicone (not included) per manufacturer's recommendation around the upper perimeter of the fixture (1) where it contacts with the surface of the wall but not the bottom.

Step 6 – Restore power at fuse or circuit breaker box



View shown for reference only. Individual models may vary.