

## LOD-MSL-LHB Series Installation Guide

### SAFETY INSTRUCTIONS: Read instructions carefully before attempting to install fixture.

- All wiring should be performed by a qualified electrician.
- Disconnect power before installing or servicing. This fixture must be wired in accordance with the National Electrical Code and applicable local codes and ordinances.
- Proper grounding is required to ensure personal safety.

### CAUTION: Risk of fire

- **WARNING:** Make certain power is OFF before installing or maintaining fixture. No user serviceable parts inside.
- **WARNING:** Luminaire must be connected to a wiring system with an equipment- grounding conductor.
- **WARNING:** Please check if the voltage marked on the luminaire is consistent with the input voltage to be connected.
- **WARNING:** Do NOT operate in ambient temperatures above those indicated on the luminaire template.
- **WARNING:** Avoid use in environments containing sulfur, chlorine or other halides such as methyl acetate, ethyl acetate, cyanoacrylates, glycol ethers, formaldehyde or butadiene.

### CLEANING & MAINTENANCE:

CAUTION: Be sure the fixture temperature is cool enough to touch. Do NOT clean or maintain while the fixture is energized.

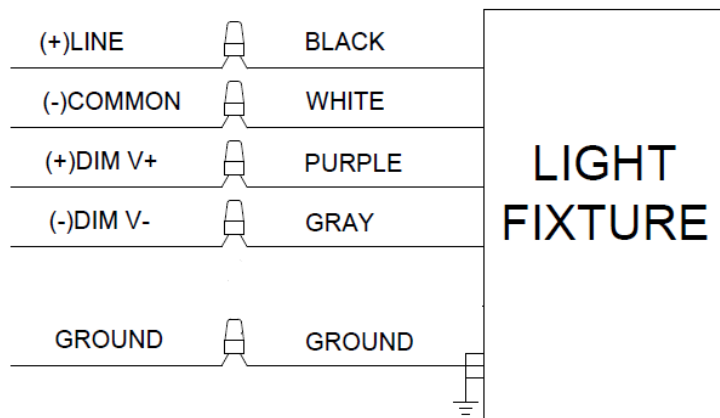
1. Clean glass lens with non-abrasive glass cleaning solution.
2. Do NOT open fixture to clean the LED. Do NOT touch the LED.

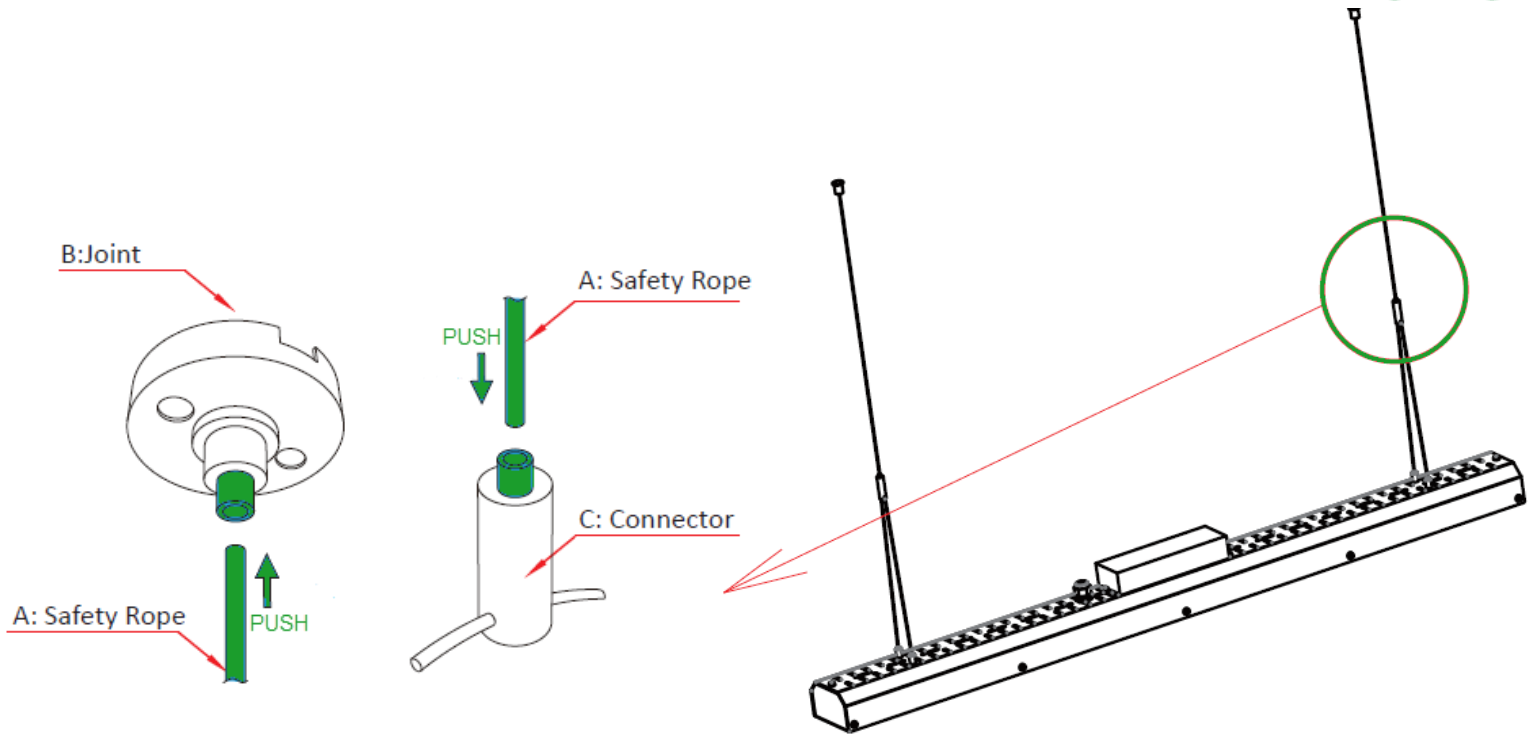
Note: These instructions do not cover all details or variation in equipment, nor do they provide for every possible situation during installation, operation or maintenance.

### INSTALLATION:

#### CHAIN MOUNT: (included)

1. Hook the safety hook (B) on the threaded eye bolts (C).
2. Fix the steel cable (A) onto the ceiling.
3. Connect the supply wires to the luminaire wire leads per the wiring diagram.





## SURFACE MOUNT:

1. Bolt the anchor plate to the ceiling securely.
2. Hook the fixture to the anchor plate.
3. Insert the bolt to secure the hook to the anchor plate.
4. Connect the supply wires to the luminaire wire leads per the wiring diagram.

