

LED LOC-ELHB High Bay Series

FEATURES

- Default Wattage is the highest wattage
 - 150W
 - 250W
- IP66 rated
- IK10 rated
- Corrosion resistant
- Easy installation and maintenance
- 50,000 hours lifetime

SUITABLE APPLICATIONS

- Warehouse
- Manufacturing facilities
- Convention centers
- Sporting Arenas
- Big-box retail stores
- Cold storage facilities
- Gymnasiums



80W, 100W and 150W



180W, 200W and 250W



300W

CONSTRUCTION:

Corrosive resistant polyester powder coat finish. PC3000U lens. Aluminum Alloy.

OPTICAL SYSTEM:

Philips Lumiled 3030 LED chips. 120° beam angle standard. 60° beam angle option for 300W model ONLY.

WARRANTY:

5-year limited warranty. Actual performance may differ as a result of end-user environment and application.

ELECTRICAL:

Available as 100-277V input.

Operating Temperature: -30°C to 50°C, -22°F to 122°F

INSTALLATION & MOUNTING:

Hook mount.

DIMMING:

1-10V dimming



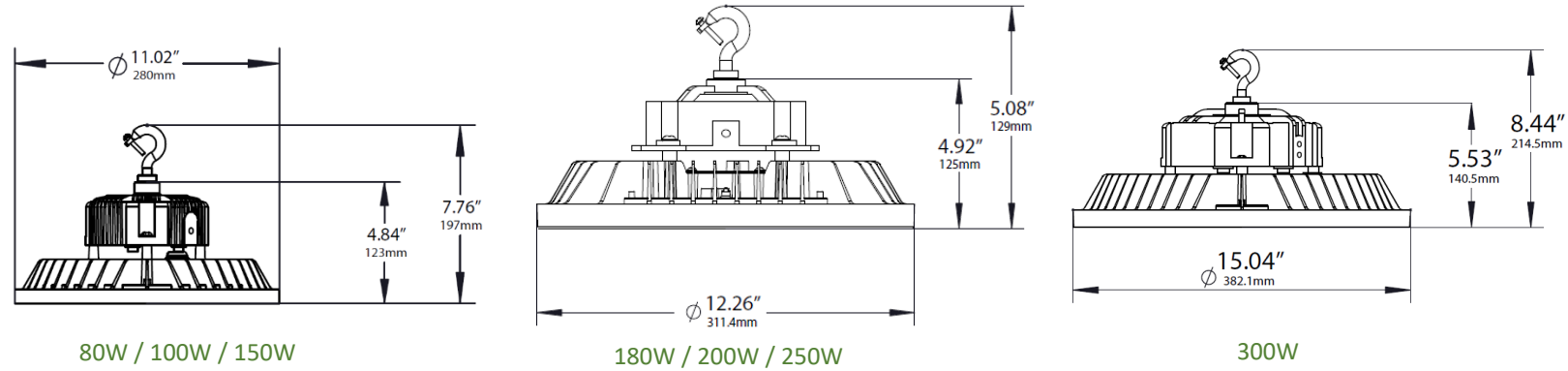
MULTI WATT MODEL NUMBER – 5,000K	WATTAGE	LUMENS	EFFICACY	CRI	POWER FACTOR	THD
LOC-ELHB-MW(80/100/150)50KD-LV	80W	12,000LM	150LM/W	70	0.95	15%
LOC-ELHB-MW(80/100/150)50KD-LV	100W	15,000LM	150LM/W	70	0.95	15%
LOC-ELHB-MW(80/100/150)50KD-LV	150W	22,500LM	150LM/W	70	0.95	15%

MULTI WATT MODEL NUMBER – 5,000K	WATTAGE	LUMENS	EFFICACY	CRI	POWER FACTOR	THD
LOC-ELHB-MW(180/200/250)50KD-LV	180W	27,000LM	150LM/W	70	0.9	15%
LOC-ELHB-MW(180/200/250)50KD-LV	200W	30,000LM	150LM/W	70	0.95	15%
LOC-ELHB-MW(180/200/250)50KD-LV	250W	37,500LM	150LM/W	70	0.95	15%

MODEL NUMBER – 5,000K	WATTAGE	LUMENS	EFFICACY	CRI	POWER FACTOR	THD
LOC-ELHB-300W50KD-LV	300W	45,000LM	150LM/W	70	0.95	15%

Series	Multi Wattage	Multi Wattage	Wattage	CCT Option	Dimming	Voltage Options
LOC-ELHB	80W 100W 150W	180W 200W 250W	300W	5,000K	D = 1-10V dimming	LV = 100-277VAC

MEASUREMENTS



MODEL	QUANTITY	WEIGHT	UPC CODE
LOC-ELHB-MW(80/100/150)50KD-LV	1	lbs	00810050941433
LOC-ELHB-MW(180/200/250)50KD-LV	1	lbs	00810050941440
LOC-ELHB-300W50KD-LV	1	lbs	00810050941457

MOUNTING OPTIONS



U-Bracket
(for multi watt models)

OPTIONAL ACCESSORIES



Motion Sensor
LOC-ANT-5-4T
(Compatible with remote control)



Remote Control
LOC-RC-100



Emergency Driver
LOC-HBEMDR-25WHV



PC Reflector
(for multi watt models)



60° lens
(for 300W model)