

## LED 4FT Type B Emergency Tube

### FEATURES

- Built-in Lithium battery
- 2-1 tube: regular T8 LED tube + emergency function
- Emergency Time: ~ 90 minutes
- Battery Protection: over charge protection, over discharge protection and short circuit protection
- The batteries meet 500 cycles of standard charge and discharge
- High brightness in emergency mode
- 50,000 hours lifetime



### CONSTRUCTION:

Oval extruded aluminum / polycarbonate body.  
Battery: 9.6V 600mAh Lithium

### OPTICAL SYSTEM:

Lumileds 2835 LED Chips. 120° beam angle.

### WARRANTY:

5-year limited warranty. Actual performance may differ as a result of end-user environment and application.

### ELECTRICAL:

100-277V, 50/60Hz input voltage.  
Operation Temperature: 0°C to 50°C, 32°F to 122°F

### INSTALLATION & MOUNTING:

Type B

### CONTROLS & DIMMING:

Non-dimming.

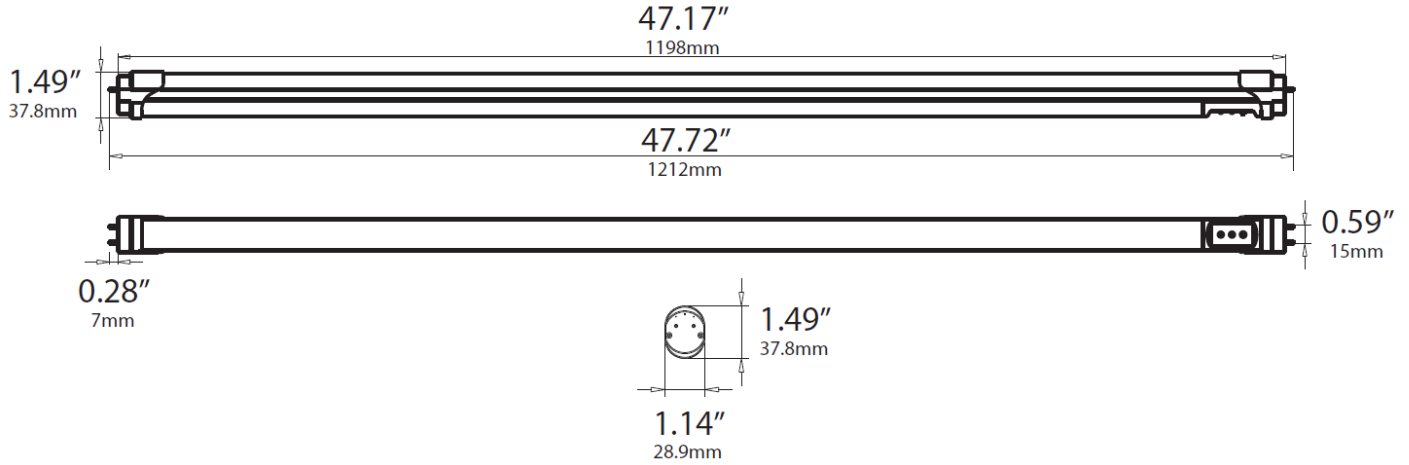


MODEL NUMBER	AC OUTPUT POWER & LUMEN	EMERGENCY POWER & LUMEN	CCT	CRI	EMERGENCY TIME
LOC-4FTT8-18W40KF-8WEM B	18W 2,200LM	8W 980LM	4,000K	>80	1.5 hours
LOC-4FTT8-18W50KF-8WEM B	18W 2,200LM	8W 980LM	5,000K	>80	1.5 hours

# LED 4FT Type B Emergency Tube

Series	Type	Wattage	CCT Option	Lens	Emergency Watt	Type
LOC-	T8 4 Foot	18W	4000K 5000K	Frosted	8WEM = 8W emergency wattage	B – Type B

## MEASUREMENTS



## PHOTOMETRIC

