

### MODELS:

LMW-EMB;LMW-EMB-WH

### 1. Installation

#### **Warning:**

To avoid the risk of fire, explosion, or electric shock, this product should be installed, inspected, and maintained by a qualified electrician only, in accordance with all applicable electrical codes.

#### **Warning:**

To avoid electric shock:

- Be certain electrical power is OFF before and during installation and maintenance.
- Luminaire must be connected to a wiring system with an equipment-grounding conductor.

#### **Warning:**

To avoid explosion:

- Make sure the supply voltage is the same as the rated luminaire voltage.
- Do not install where the marked operating temperatures exceed the ignition temperature of the hazardous atmosphere.
- Do not operate in ambient temperatures above those indicated on the luminaire nameplate.
- Keep lens tightly closed when in operation.

**For supply connections use wire rated for at least 100°C**

### Installation:

Step 1: Loosen the screw which beside the lens, take down the base plate (FIG.1)

Step 2: Fix the base plate with EVA on to the wall by 4 screws (FIG.2) Step3: loosen the screw which beside the lens, take down the base plate (FIG.3)

Step 4: Fix LED mounting plate to EM back box by 4 screws(FIG.4)

Step 5: Fix whole fixture on to EM back box , then overall fix to FIG.2 mounting plate ,complete the wiring (FIG.5)

Step 6: Seal with glue into the connective position between fixture and EM back box to waterproof (FIG.6)

Step 7: Seal with glue into the connective position between EM back box and the wall to waterproof (FIG.7)

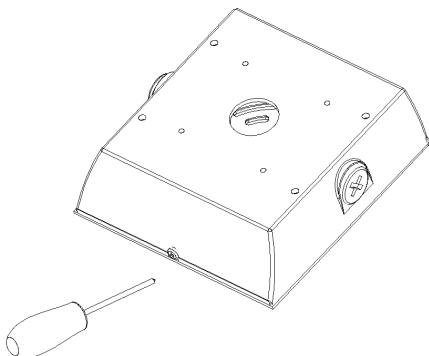


FIG.1

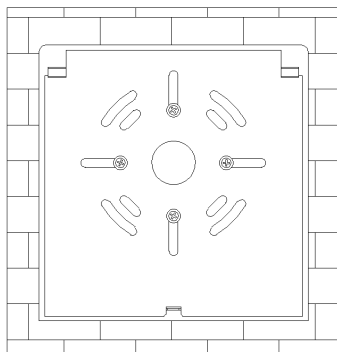


FIG.2

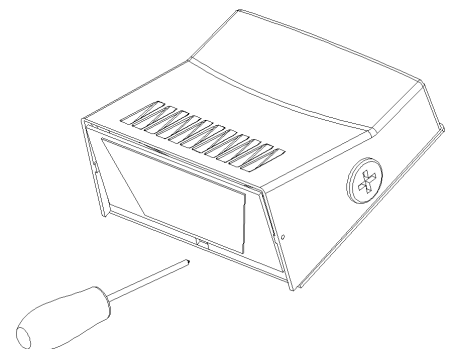


FIG.3

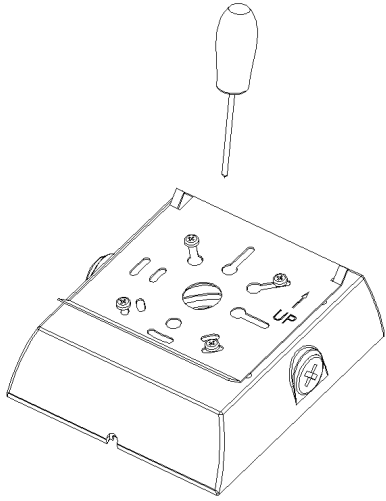


FIG.4

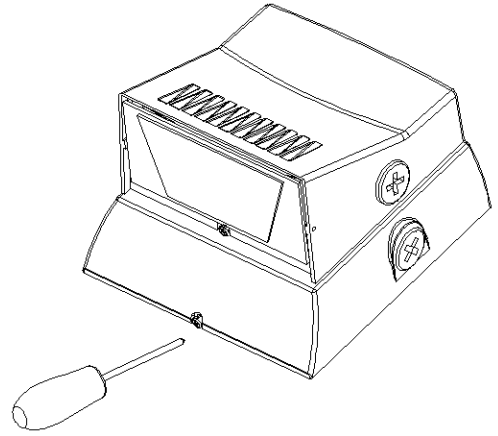


FIG.5

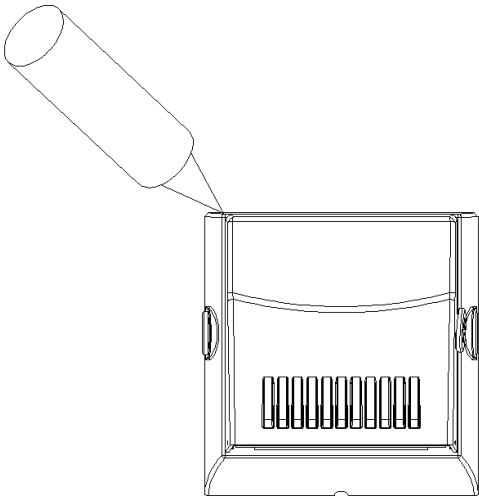


FIG.6

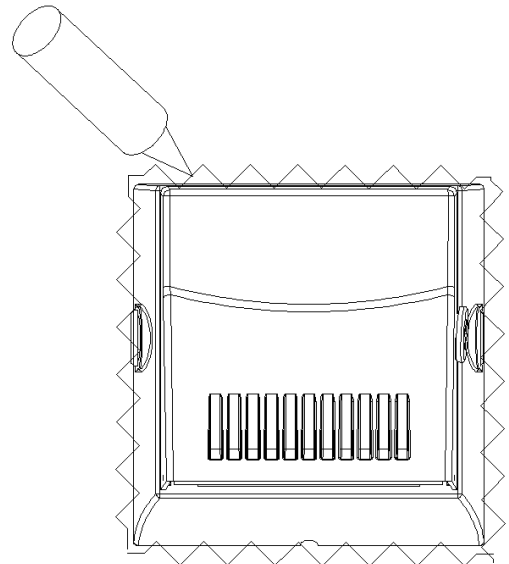


FIG.7

**After installation, please**

- check whether the lighting fixture is firmly fixed.
- check whether wires are connected correctly.

*At last, turn on the power, and check if the lighting fixture works well. If not, please turn off the power and contact with local dealer.*