

LFXPRO SERIES Outdoor Lighting

LFXPRO-XL-150-300W-MCTP



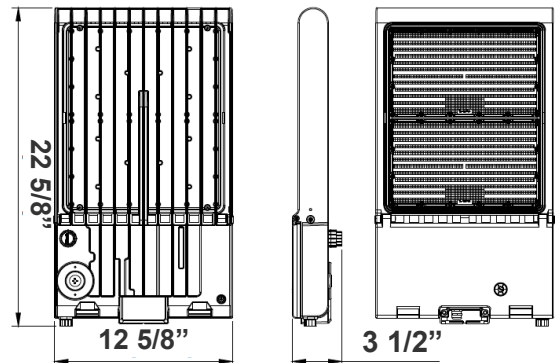
Ideal for general site lighting, alleys, loading docks, doorway, pathway, and parking areas.

Customer Name: _____

Project Name: _____

Note: _____

Type: _____



22 5/8"(L) x 12 5/8"(W) x 3 1/2"(H)

Features

- LED Flood Light
- With snap-on & bolt mounting options for one-person Installations.
- Select a mounting option (Sold separately)
- 70,000 Hours Rated Life
- 7-Year Warranty
- Optic Lens Type: III
- Multi-CCT & Multi-Power - The Switches are on the Bottom of the Fixture

Technical Specifications

Electrical:

- Voltage: 100-277V AC 50/60Hz
- Wattage: 150W/ 200W/ 240W/ 300W
- Power Factor: >0.9
- Output Current: 0.25A
- Efficacy: 125 LPW
- THD: <20%

Mechanical:

- Housing: Die-cast Aluminum Housing with Powder Coat Finish (Dark Bronze)
- 6KV Lightning Surge Protection
- IP Rating: IP65
- 10KV Lightning Surge Protection
- Operating Temperature: -40°F to 104°F
- Suitable for Wet Locations
- Effective projected areas (EPA's) are:
 - Front = 0.38 square feet
 - Side = 0.30 square feet
 - Face = 1.05 square feet

Lighting:

- Dimmable: 0~10V
- Solid State Lighting technology for long life, no Maintenance needed and High-Efficiency
- Lens Type: Optical TYPE III Lens, High Light Transmittance PC, Anti-UV and Flame Resistant
- Cord Type: 3.2' SJTW 18/3 AWG cable
- Total lumens: 38000LM Max.
- Color temperature: 3000K/ 4000K/ 5000K/ 5700K
- Color rendering index: CRI ≥ 70
- Beam Angle: 90°x120°

Applications:

- Ideal for general site lighting, alleys, loading docks, doorway, pathway and parking areas.
- Replace existing HID flood lights/ wall packs



Lighting Supplier Since 2003



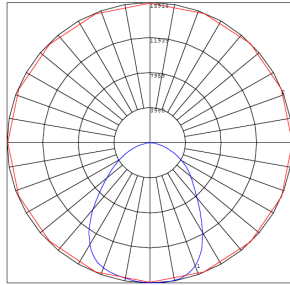
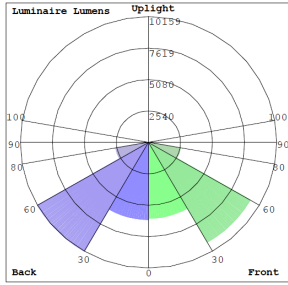
WAREHOUSE-LIGHTING.COM

Warehouse-Lighting.com
2750 South 163rd St
New Berlin, WI 53151

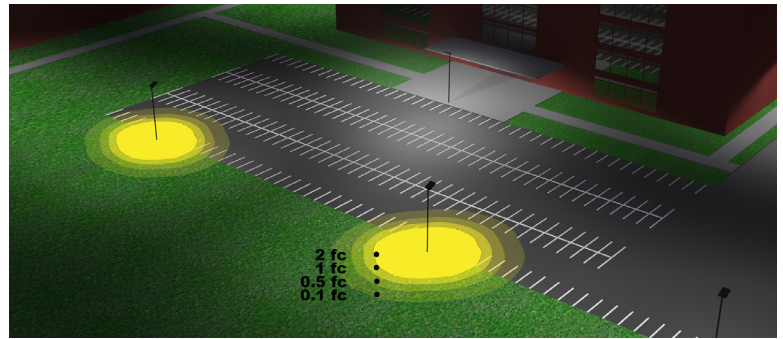
Warehouse-Lighting.com
Phone: 888-454-4480
info@warehouse-lighting.com

Photometrics: LFXPRO-XL-150-300W-MCTP

TYPE III



BUG Rating: B4-U0-G1



Area 65'x 75' Mounting Height: 20'

Other Views:



Side View



Front View



Back View

Performance Table: LFXPRO-XL-150-300W-MCTP

MODEL NO.	Wattage	Voltage	Lumens	Color Temp.	BUG Rating	LPW
LFXPRO-XL-150-300W-MCTP	150W	120~277V	22400LM	3000K 4000K 5000K 5700K	B4-U0-G1	125
			23000LM			
			23800LM			
	23800LM					
	28200LM					
	200W		29100LM			
	30000LM					
	30000LM					
	240W		32600LM			
	33600LM					
	34650LM					
	34650LM					
	300W		36800LM			
	37500LM					
	38000LM					
38000LM						

Lighting Supplier Since 2003



WAREHOUSE-LIGHTING.COM

Warehouse-Lighting.com
2750 South 163rd St
New Berlin, WI 53151

Warehouse-Lighting.com
Phone: 888-454-4480
info@warehouse-lighting.com

Sample Ordering

Model Size Min. Wattage Max. Wattage Color Temp.

LFXPRO - XL - 150 - 300W - MCTP

Accessories Options

Blank = No Option For Accessories

WEC-8RC = Optional Motion Sensor Remote Control

Factory-Installed Options

Blank = No Option For Accessories

OPT-EM-OD2EXT = Emergency Battery Backup

OPT-3MPC = Microwave Photocell with a 1/2" threaded

OPT-SEN-3MR-3 = Programmable Microwave BI-Level Sensor

Example:

1.LFXPRO-XL-150-300W-MCTP (For LFXPRO 300W MCTP fixture 120-277V)

2.LFXPRO-XL-150-300W-MCTP (For LFXPRO 300W MCTP fixture 120-277V)
WEC-8RC (Remote Control)

ACCESSORIES:



WEC-8RC

Factory-Installed Options:



OPT-SEN-3MR-3

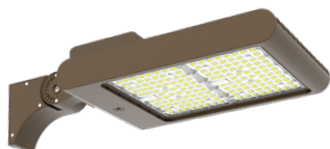


OPT-3MPC

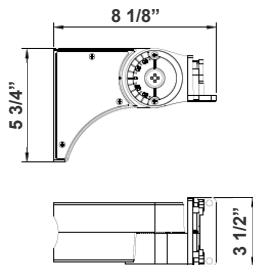


OPT-EM-OD2EXT

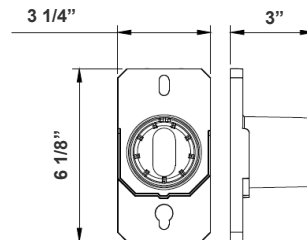
Mounting Options:



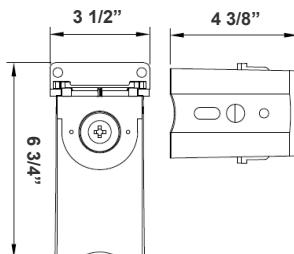
LFX-ASA
Adjustable Straight Arm
3 1/3" x 7 7/8"



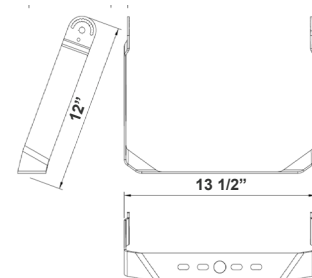
LFX-SF + LFX-PAS
Pole Adapter for Slip Fitter
6 1/8" x 3 1/4" x 3"



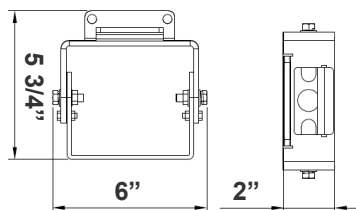
LFX-EXT
Straight Arm
3 1/3" x 6 3/4" x 4 3/8"



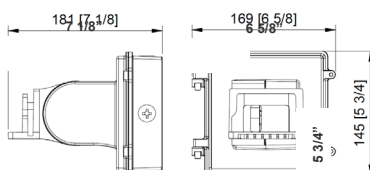
LFX-TR-B
U Bracket
13 1/2" x 12"



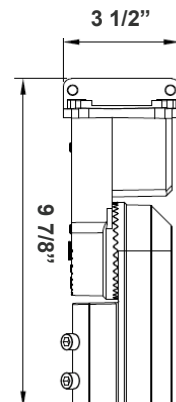
LFX-YK
Yoke
5 3/4" x 6" x 2"



LFX-AWB
Adjustable Wall Junction Box
7 1/8" x 6 5/8" x 5 3/4"



LFX-SF
Slip Fitter
3 1/3" x 7 7/8"



Lighting Supplier Since 2003



WAREHOUSE-LIGHTING.COM

Warehouse-Lighting.com
2750 South 163rd St
New Berlin, WI 53151

Warehouse-Lighting.com
Phone: 888-454-4480
info@warehouse-lighting.com

Color Options: LFXPRO-XL-150-300W-MCTP
 Custom Color Available

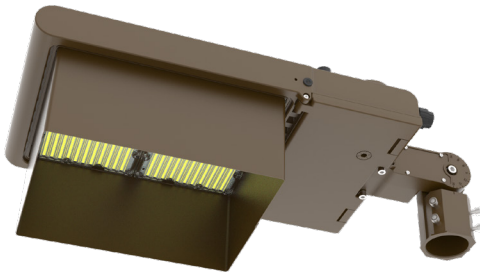
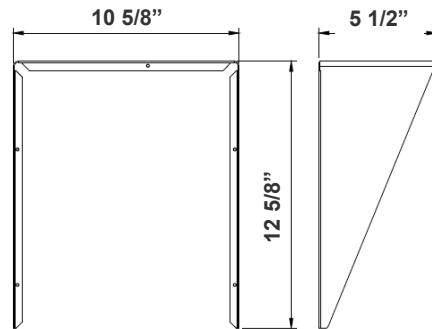
Black Silver White **Dark Bronze** Green Red Yellow
 Default color



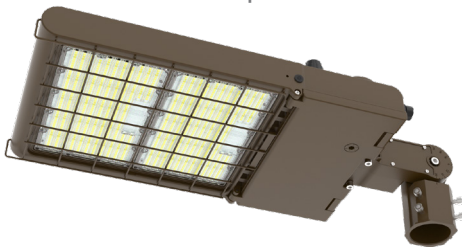
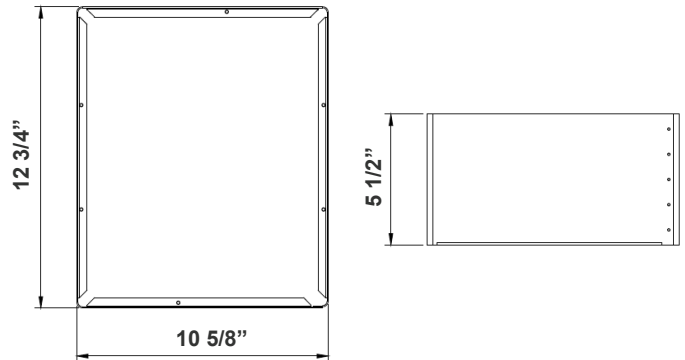
Shroud & Wire Guard:



LF-SHROUD-B
 Shroud
 12 5/8" x 10 5/8" x 5 1/2"
 Can be painted



LF-SHROUD-E
 Full-Glare Shroud
 12 3/4" x 10 5/8" x 5 1/2"
 Can be painted



LFXPRO-WG-B
 Wire Guard
 Can be painted

Lighting Supplier Since 2003



WAREHOUSE-LIGHTING.COM

Warehouse-Lighting.com
 2750 South 163rd St
 New Berlin, WI 53151

Warehouse-Lighting.com
 Phone: 888-454-4480
info@warehouse-lighting.com