

# LFXPRO SERIES Outdoor Lighting

LFXPRO-XL-150-300W-MCTP-WH

**WESTGATE**  
THE FUTURE IS HERE...AND IT'S QUITE BRIGHT!



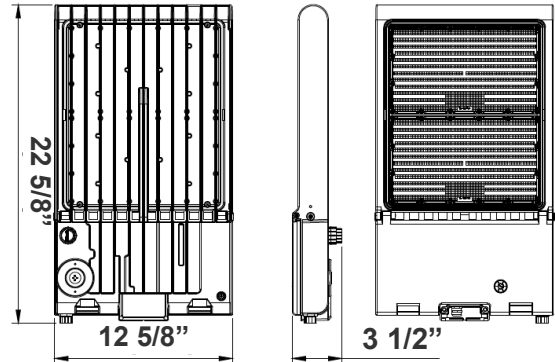
Ideal for general site lighting, alleys, loading docks, doorway, pathway, and parking areas.

Customer Name: \_\_\_\_\_

Project Name: \_\_\_\_\_

Note: \_\_\_\_\_

Type: \_\_\_\_\_



22 5/8"(L) x 12 5/8"(W) x 3 1/2"(H)

## Features

- LED Flood Light
- With snap-on & bolt mounting options for one-person Installations.
- Select a mounting option (Sold separately)

- 70,000 Hours Rated Life
- 7-Year Warranty
- Optic Lens Type: III
- Multi-CCT & Multi-Power - The Switches are on the Bottom of the Fixture

## Technical Specifications

### Electrical:

- Voltage: 100-277V AC 50/60Hz
- Wattage: 150W/ 200W/ 240W/ 300W
- Power Factor: >0.9
- Output Current: 0.25A
- Efficacy: 125 LPW
- THD: <20%

### Mechanical:

- Housing: Die-cast Aluminum Housing with Powder Coat Finish (White)
- 6KV Lightning Surge Protection
- IP Rating: IP65
- Operating Temperature: -40°F to 104°F
- Suitable for Wet Locations
- Effective projected areas (EPA's) are:  
Front = 0.38 square feet  
Side = 0.30 square feet  
Face = 1.05 square feet

### Lighting:

- Dimmable: 0~10V
- Solid State Lighting technology for long life, no Maintenance needed and High-Efficiency
- Lens Type: Optical TYPE III Lens, High Light Transmittance PC, Anti-UV and Flame Resistant
- Cord Type: 3.2' SJTW 18/3 AWG cable
- Total lumens: 38000LM Max.
- Color temperature: 3000K/ 4000K/ 5000K/ 5700K
- Color rendering index: CRI ≥ 70
- Beam Angle: 90°x120°

### Applications:

- Ideal for general site lighting, alleys, loading docks, doorway, pathway and parking areas.
- Replace existing HID flood lights/ wall packs



Lighting Supplier Since 2003



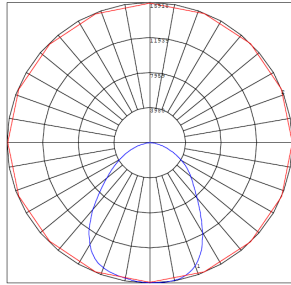
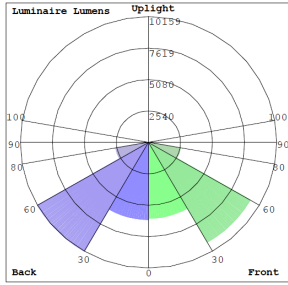
WAREHOUSE-LIGHTING.COM

Warehouse-Lighting.com  
2750 South 163<sup>rd</sup> St  
New Berlin, WI 53151

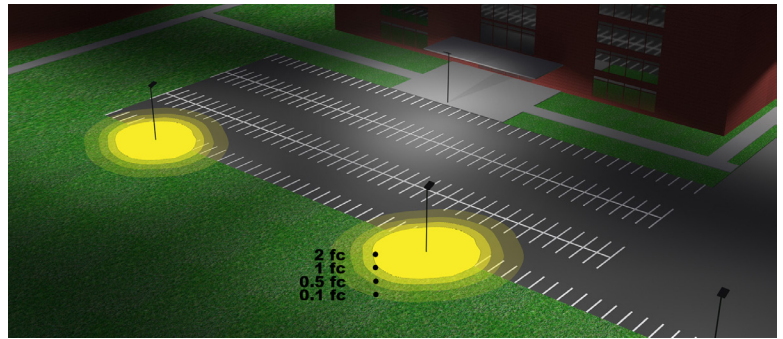
[Warehouse-Lighting.com](http://Warehouse-Lighting.com)  
Phone: 888-454-4480  
[info@warehouse-lighting.com](mailto:info@warehouse-lighting.com)

**Photometrics:** LFXPRO-XL-150-300W-MCTP-WH

TYPE III



BUG Rating: B4-U0-G1



Area 65'x 75' Mounting Height: 20'

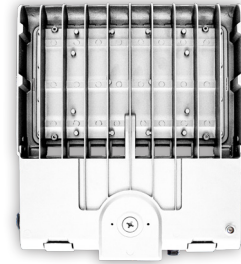
**Other Views:**



Side View



Front View



Back View

**Performance Table:** LFXPRO-XL-150-300W-MCTP-WH

MODEL NO.	Wattage	Voltage	Lumens	Color Temp.	BUG Rating	LPW
LFXPRO-XL-150-300W-MCTP-WH	150W	120~277V	22400LM	3000K 4000K 5000K 5700K	B4-U0-G1	125
			23000LM			
			23800LM			
	200W		23800LM			
			28200LM			
			29100LM			
	240W		30000LM			
			30000LM			
			32600LM			
			33600LM			
			34650LM			
			34650LM			
	300W		36800LM			
			37500LM			
			38000LM			
38000LM						
38000LM						

Lighting Supplier Since 2003



WAREHOUSE-LIGHTING.COM

Warehouse-Lighting.com  
2750 South 163<sup>rd</sup> St  
New Berlin, WI 53151

[Warehouse-Lighting.com](http://Warehouse-Lighting.com)  
Phone: 888-454-4480  
[info@warehouse-lighting.com](mailto:info@warehouse-lighting.com)

# Sample Ordering

Model	Size	Min. Wattage	Max. Wattage	Color Temp.	Housing
LFXPRO	-	150	300W	MCTP	WH

## Accessories Options

Blank = No Option For Accessories  
 WEC-8RC = Optional Motion Sensor Remote Control

## Factory-Installed Options

Blank = No Option For Accessories  
 OPT-EM-OD2EXT = Emergency Battery Backup  
 OPT-3MPC = Microwave Photocell with a 1/2" threaded  
 OPT-SEN-3MR-3 = Programmable Microwave Bi-Level Sensor

## Example:

- 1.LFXPRO-XL-150-300W-MCTP-WH (For LFXPRO 300W MCTP fixture 120-277V)
- 2.LFXPRO-XL-150-300W-MCTP-WH WEC-8RC (For LFXPRO 300W MCTP fixture 120-277V) (Remote Control)

## ACCESSORIES:



WEC-8RC

## Factory-Installed Options:



OPT-SEN-3MR-3



OPT-3MPC

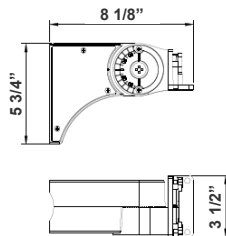


OPT-EM-OD2EXT

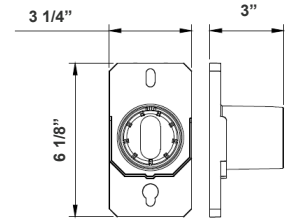
## Mounting Options:



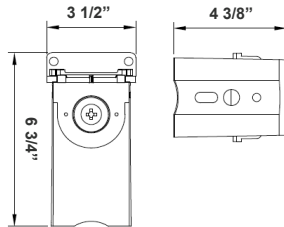
**LFX-ASA-WH**  
Adjustable Straight Arm  
3 1/3" x 7 7/8"



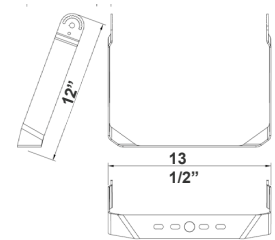
**LFX-SF-WH + LFX-PASF-WH**  
Pole Adapter for Slip Fitter 6  
1/8" x 3 1/4" x 3"



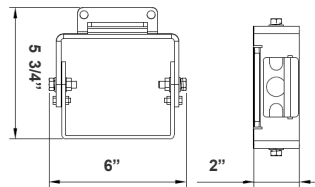
**LFX-EXT-WH**  
Straight Arm  
3 1/3" x 6 3/4" x 4 3/8"



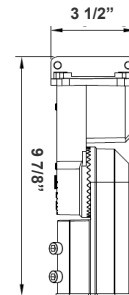
**LFX-TR-B-WH**  
U Bracket  
13 1/2" x 12"



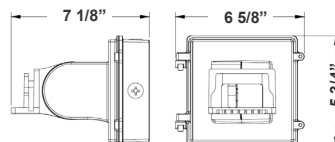
**LFX-YK-WH**  
Yoke  
5 3/4" x 6" x 2"



**LFX-SF-WH**  
Slip Fitter  
3 1/3" x 7 7/8"



**LFX-AWB-WH**  
Adjustable Wall Junction  
Box 7 1/8" x 6 5/8" x 5 3/4"



Lighting Supplier Since 2003



WAREHOUSE-LIGHTING.COM

Warehouse-  
Lighting.com 2750  
South 163<sup>rd</sup> St New  
Berlin, WI 53151

[Warehouse-Lighting.com](http://Warehouse-Lighting.com)

Phone: 888-454-4480

[info@warehouse-lighting.com](mailto:info@warehouse-lighting.com)

**Color Options:** LFXPRO-XL-150-300W-MCTP-WH  
 Custom Color Available

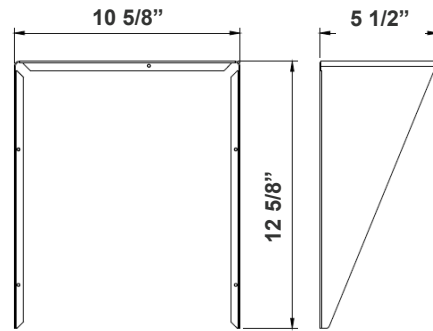
Black Silver White **Dark Bronze** Green Red Yellow  
 Default color



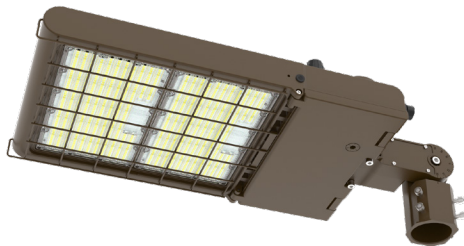
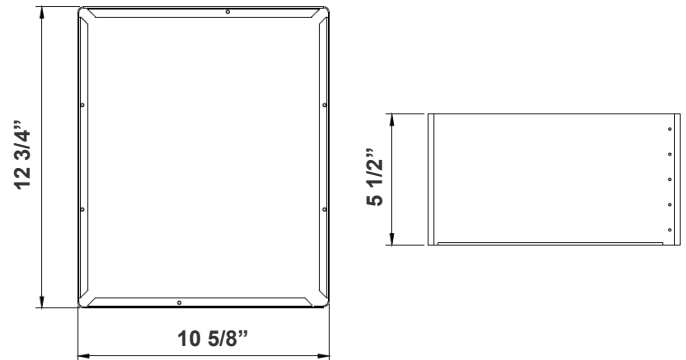
**Shroud & Wire Guard:**



**LF-SHROUD-B**  
 Shroud  
 12 5/8" x 10 5/8" x 5 1/2"  
 Can be painted



**LF-SHROUD-E**  
 Full-Glare Shroud  
 12 3/4" x 10 5/8" x 5 1/2"  
 Can be painted



**LFXPRO-WG-B**  
 Wire Guard  
 Can be painted

Lighting Supplier Since 2003



WAREHOUSE-LIGHTING.COM

Warehouse-Lighting.com  
 2750 South 163<sup>rd</sup> St  
 New Berlin, WI 53151

[Warehouse-Lighting.com](http://Warehouse-Lighting.com)  
 Phone: 888-454-4480  
[info@warehouse-lighting.com](mailto:info@warehouse-lighting.com)