

# LFXE SERIES Outdoor Lighting

LFXE-XL-200-300W-MCTP-P  
BUILDER SERIES FLOOD/AREA LIGHTS WITH PHOTOCELL  
**MCTP** Multi Color Temperature & Multi Power/Wattage (Selectable)

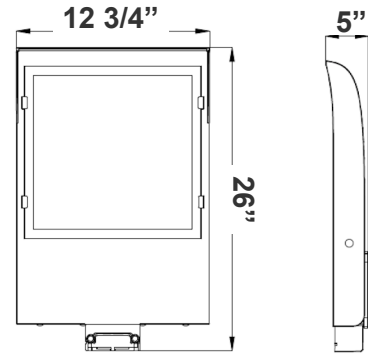
**WESTGATE**  
THE FUTURE IS HERE...AND IT'S QUITE BRIGHT!

Customer Name: \_\_\_\_\_

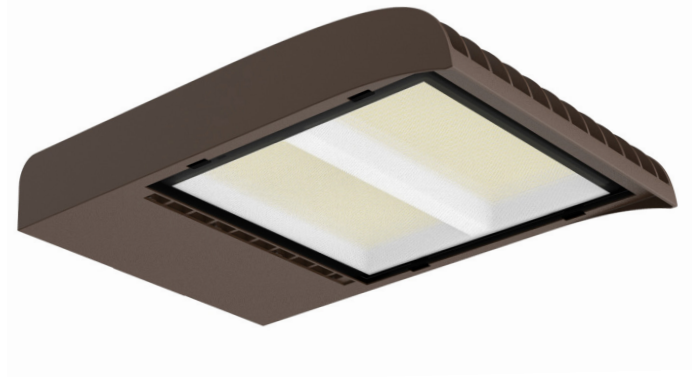
Project Name: \_\_\_\_\_

Note: \_\_\_\_\_

Type: \_\_\_\_\_



26"(H) x 12 3/4"(W) x 5"(D)



Ideal for general site lighting, alleys, loading docks, doorway, pathway, and parking areas.

## Features

- Solid State Lighting Technology for Long Life
- No Maintenance Needed and High-Efficiency
- Optic Lens Type: III
- Multi-Power - The Switch is On the Bottom of the Fixture

## Technical Specifications

### Electrical:

- Voltage: 120~277V AC/50~60 Hz
- Wattage: 200W//240 W/300W
- Power Factor: >0.9
- Efficacy: 135 LPW

### Mechanical:

- With Snap-on & Bolt Mounting Options for One- Person Installations. Select a Mounting Option (Sold Separately)
- Die-cast Aluminum Housing with Powder Coat Finish (Dark Bronze)
- Photocell Included (With Disconnect Switch)
- 10KV Lightning Surge Protection
- Effective Projected Areas (EPA's) are: Front = 0.38 ft<sup>2</sup>, Side = 0.30 ft<sup>2</sup>, Face = 1.05 ft<sup>2</sup>
- Operating Temperature: -40°F to 104°F
- IP Rating: IP65, Suitable for Wet Locations
- 7-Year Warranty

### Lighting:

- Multi-Power - The Switch Is On the Bottom Of The Fixture
- Dimming: 0~10V dimmable
- Optic Lens Type: III
- Cord Type: 6' SJTW 18/3 AWG cable
- Total Lumens: 40500LM Max.
- Color Temperature: 5000K
- Color Rendering Index: ≥ 82
- Beam Angle: 120°X 90°
- 70,000 Hours Rated Life

### Applications:

- Ideal for general site lighting, alleys, loading docks, doorway, pathway and parking areas.
- Replace existing HID flood lights/ wall packs

### Other Models:

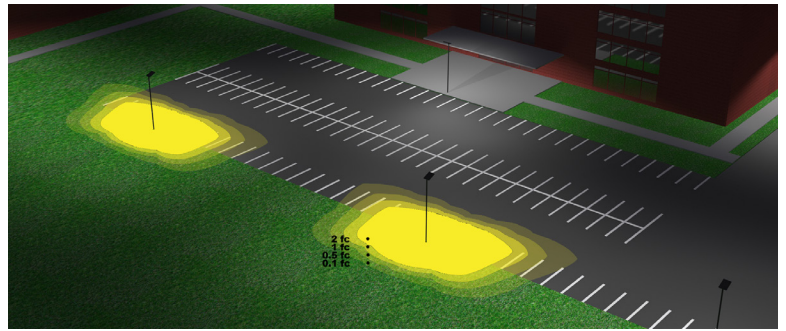
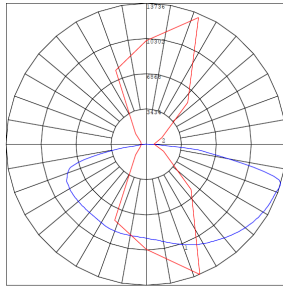
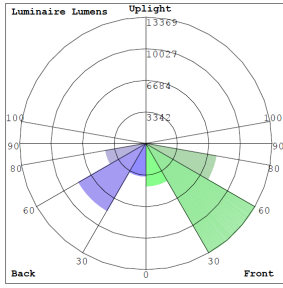
- 300W | 40500LM | LFXE-XL-200-300W-50K-P



Phone: (877) 805-2252 | Fax: (877) 805-2252  
www.westgatemfg.com |



**Photometrics:** LFXE-XL-200-300W-50K-P



BUG Rating: B4-U0-G4

Area 65'x 120' Mounting Height: 20'

**Other Views:**



Side View  
Shown with U bracket



Front View



Back View

**Performance Table:** LFXE-XL-200-300W-50K-P

| MODEL NO.              | Wattage | Voltage  | Lumens  | Color Temp. | BUG Rating | LPW |
|------------------------|---------|----------|---------|-------------|------------|-----|
| LFXE-XL-200-300W-50K-P | 200W    | 120~277V | 27000LM | 5000K       | B4-U0-G4   | 135 |
|                        | 240W    |          | 32400LM |             |            |     |
|                        | 300W    |          | 40500LM |             |            |     |

**Sample Ordering**

| Model | Size | Min. Wattage | Max. Wattage | Color Temp. | Photocell |
|-------|------|--------------|--------------|-------------|-----------|
| LFX   | XL   | 200          | 300W         | 50K         | P         |

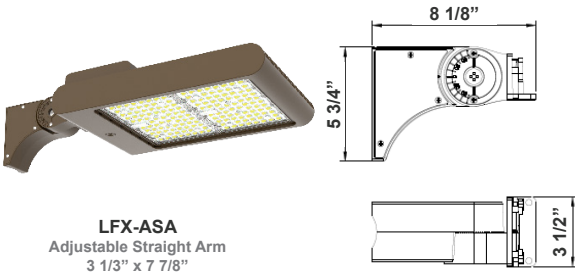
**Example:**

1. LFXE-XL-200-300W-50K-P

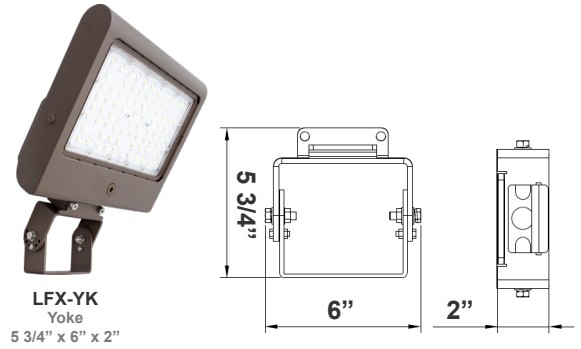
(For LFXE 300W 5000K fixture 120V-277V)



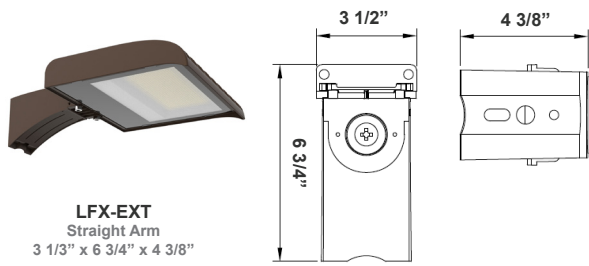
## Mounting Options:



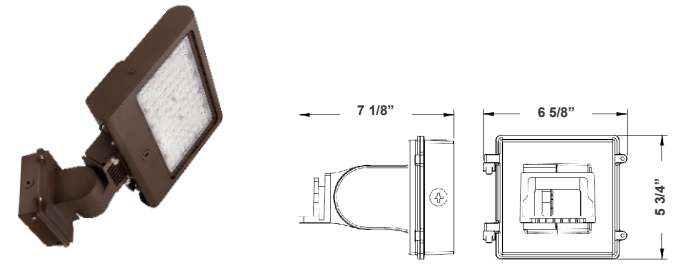
**LFX-ASA**  
Adjustable Straight Arm  
3 1/3" x 7 7/8"



**LFX-YK**  
Yoke  
5 3/4" x 6" x 2"



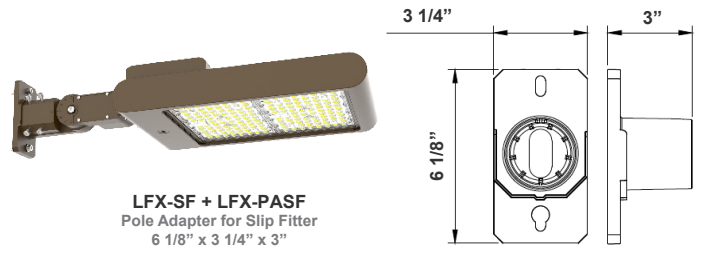
**LFX-EXT**  
Straight Arm  
3 1/3" x 6 3/4" x 4 3/8"



**LFX-AWB**  
Adjustable Wall Junction Box  
7 1/8" x 6 5/8" x 5 3/4"



**LFX-SF**  
Slip Fitter  
3 1/3" x 7 7/8"



**LFX-SF + LFX-PASF**  
Pole Adapter for Slip Fitter  
6 1/8" x 3 1/4" x 3"

Custom Color Available

