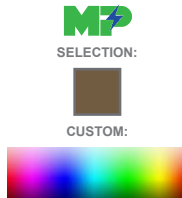


LFX-XL-150-300W-30K
 LFX-XL-150-300W-40K
 LFX-XL-150-300W-50K



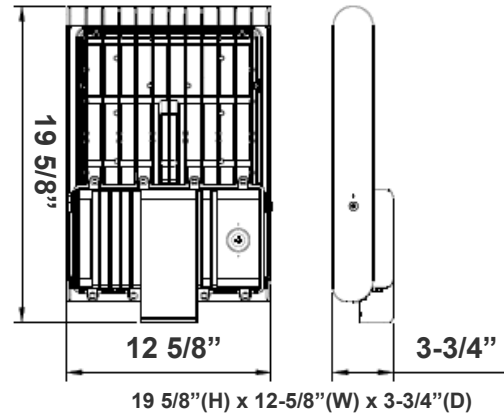
Ideal for general site lighting, alleys, loading docks, doorway, pathway, and parking areas.

Customer Name: _____

Project Name: _____

Note: _____

Type: _____



Features

- DLC Premium & LED High-Lumen Flood lights
- Solid State Lighting Technology for Long Life
- No Maintenance Needed and High-Efficiency
- 70,000 Hours Rated Life
- 7-Year Warranty
- Optic Lens Type: III
- Multi-Power - The Witch is On the Bottom of the Fixture

Technical Specifications

Electrical:

- Voltage: 120~277V AC/50~60 Hz
- Wattage: 150/ 200/ 240/ 300W
- Power Factor: >0.9
- Efficacy: 135 LPW

Mechanical:

- With Snap-on & Bolt Mounting Options for One- Person Installations. Select a Mounting Option (Sold Separately)
- Die-cast Aluminum Housing with Powder Coat Finish (Dark Bronze)
- 10KV Lightning Surge Protection
- IP Rating: IP65
- Effective Projected Areas (EPA's) are: Front = 0.38 ft², Side = 0.30 ft², Face = 1.05 ft²
- Operating Temperature: -40°F to 104°F
- Suitable for Wet Locations

Lighting:

- Multi-Power - The Witch is On the Bottom of the Fixture
- Dimming: 0~10V dimmable
- Optic Lens Type: III
- Cord Type: 6' SJTW 18/3 AWG cable
- Total Lumens: 44000LM Max.
- Color Temperature: 3000K/ 4000K/ 5000K
- Color Rendering Index: ≥ 82
- Beam Angle: 120°X 90°

Applications:

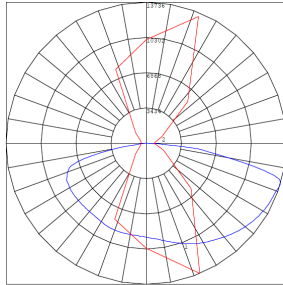
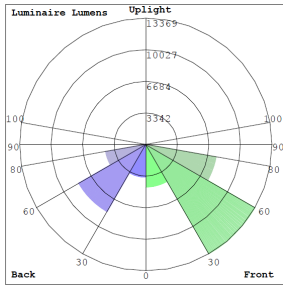
- Ideal for general site lighting, alleys, loading docks, doorway, pathway and parking areas.
- Replace existing HID flood lights/ wall packs

Other Models:

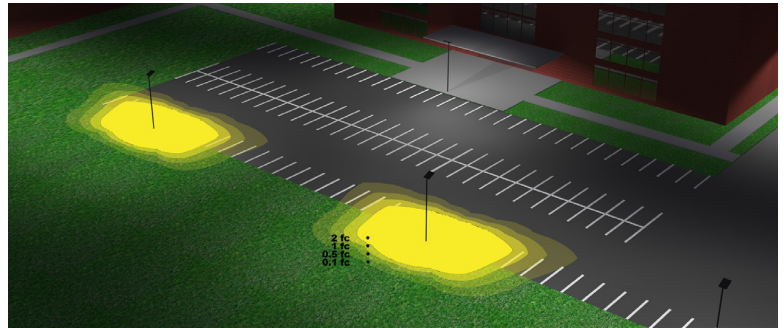
- 150W | 21400LM | LFX-LG-50-150W-30K
- 150W | 21400LM | LFX-LG-50-150W-40K
- 150W | 21400LM | LFX-LG-50-150W-50K



Photometrics: LFX-XL-150-300W



BUG Rating: B4-U0-G4



Area 65'x 120' Mounting Height: 20'

Other Views:



Side View



Front View



Back View

Performance Table: LFX-XL-150-300W

MODEL NO.	Wattage	Voltage	Lumens	Color Temp.	BUG Rating	LPW
LFX-XL-150-300W-30K	150W	120~277V	23500LM	3000K 4000K 5000K	B4-U0-G4	135
			24200LM			
			25100LM			
LFX-XL-150-300W-40K	200W		29600LM			
			30500LM			
			31850LM			
LFX-XL-150-300W-50K	300W		35000LM			
			36000LM			
			38000LM			
			42150LM			
			43500LM			
			44000LM			

Example:

1. LFX-XL-150-300W-30K

(For LFX 300W 3000K fixture 120 -277V)

2. LFX-XL-150-300W-30K
WEC-8RC

(For LFX 300W 3000K fixture 120 -277V)
(For Remote Control)

3. LFX-XL-150-300W-30K
WEC-8RC
OPT-SEN-3MR-3

(For LFX 300W 3000K fixture 120 -277V)
(For Remote Control)
(For Programmable Microwave BI-Level Motion Sensor)



Sample Ordering

Model Size Min.Wattage Max.Wattage Color Temp.

LFX - XL - 150 - 300W -

30K = 3000K
40K = 4000K
50K = 5000K

Accessories Options

Blank = No Option for Accessories
WEC-8RC = Remote Control for OPT-SEN-3MR-4
*REFER TO PAGE 3 FOR MOUNTING OPTIONS

Factory Installed Options

Blank = No Factory Installed Options
OPT-LF3-PCK = Twist Lock Photocell
OPT-3MPC = Microwave Photocell with a 1/2" threaded
OPT-SEN-3MR-3 = Programmable Microwave Bi-Level
OPT-TLSOC7P = 7-Pin Receptacle Kit to accept Smart Control Twist-Lock Photocell (Photocell not incl.) (Shorting Cap incl.)
OPT-CLR-95 = Color Paint

SENSOR AND REMOTE CONTROL OPTIONS



OPT-LF3-PCK
Twist-Lock
Photocell + Receptacle Kit



OPT-SEN-3MR-3
Bi-Level Motion
Sensor



OPT-3MPC



WEC-8RC
Remote control

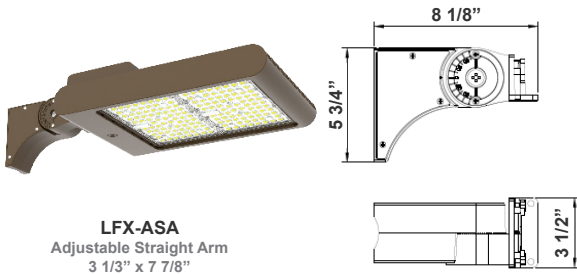


OPT-TLSOC7P
Smart Control
7-Pin Receptacle Kit
(Photocell not incl.)
(Shorting Cap incl.)

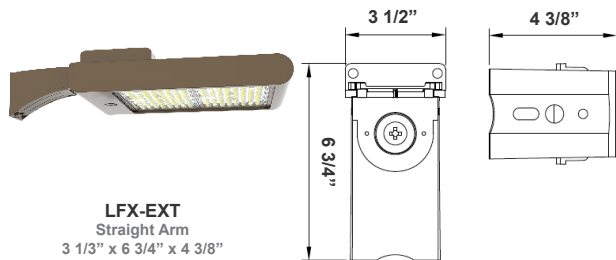


Smart Control
7-Pin Receptacle Kit
for
OPT-TLSOC7P

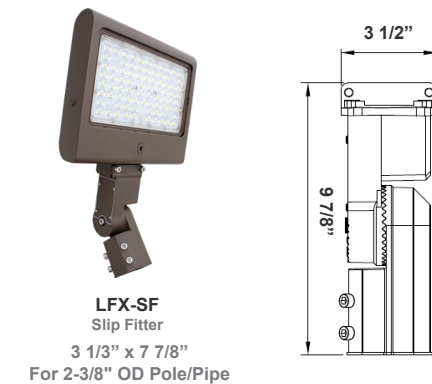
Mounting Options:



LFX-ASA
Adjustable Straight Arm
3 1/3" x 7 7/8"



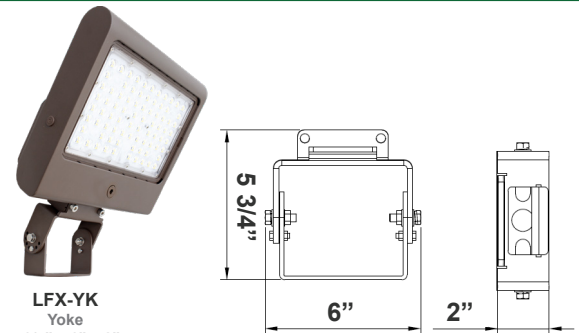
LFX-EXT
Straight Arm
3 1/3" x 6 3/4" x 4 3/8"



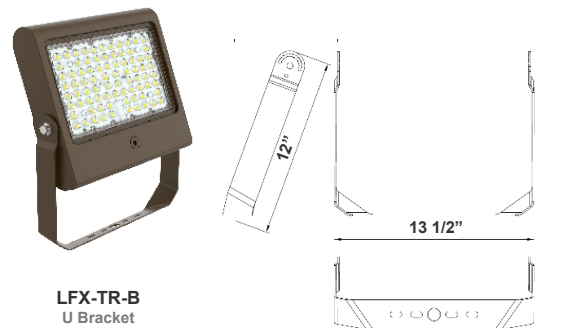
LFX-SF
Slip Fitter
3 1/3" x 7 7/8"
For 2-3/8" OD Pole/Pipe



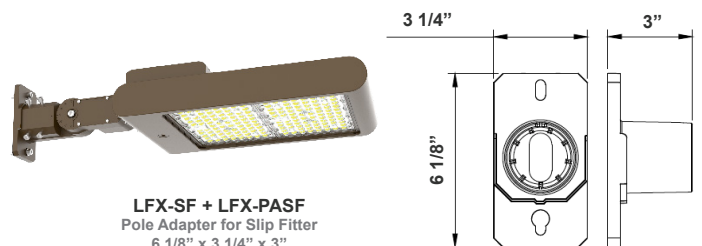
LFX-AWB
Adjustable Wall Junction Box
7 1/8" x 6 5/8" x 5 3/4"



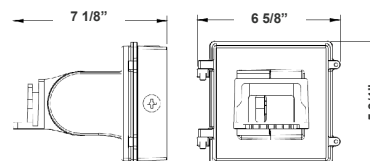
LFX-YK
Yoke
5 3/4" x 6" x 2"



LFX-TR-B
U Bracket
13 1/2" x 12"



LFX-SF + LFX-PASF
Pole Adapter for Slip Fitter
6 1/8" x 3 1/4" x 3"

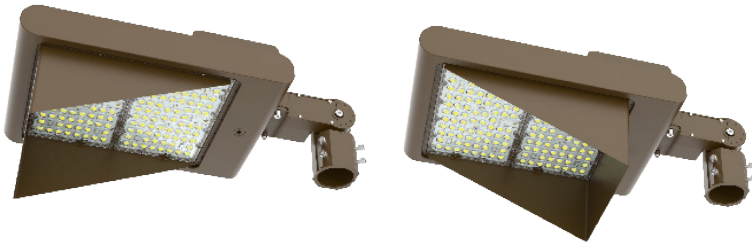


Color Options: LFX-XL-150-300W
 Custom Color Available

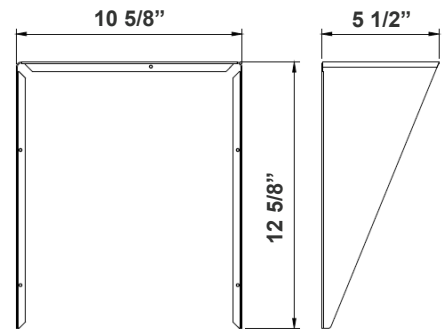
Black Silver White **Dark Bronze** Green Red Yellow
 Default color



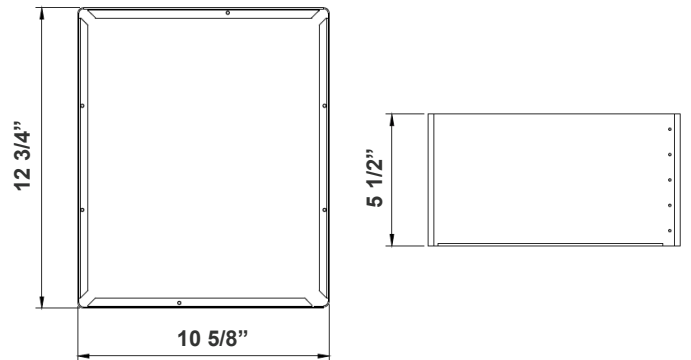
Shroud & Wire Guard: LFX-XL-150-300W



LF-SHROUD-B
 Shroud
 12 5/8" x 10 5/8" x 5 1/2"



LF-SHROUD-E
 Full-Glare Shroud
 12 3/4" x 10 5/8" x 5 1/2"



LFX-WG-B
 Wire Guard



COLOR CHART: * Choose from one of our Premium Colors with no set-up fee.

Gloss:



SILVER METALLIC
70 GLOSS
T357-GR105



SILVER METALLIC
30 GLOSS
T353-GR06



DARK RED 90
GLOSS
P009-RD02



INTERNATIONAL
ORANGE 90
GLOSS
T009-OG26



SAFETY ORANGE
90 GLOSS
T009-OG01



YELLOW 90
GLOSS
T009-YL14



YELLOW 90
GLOSS
T009-YL01



TRAFFIC GREEN
70 GLOSS
T007-GN16



GREEN 70 GLOSS
T007-GN13



GREEN 60 GLOSS
C006-GN03



BLUE 90 GLOSS
T009-BL01



DARK BLUE 80
GLOSS
T008-BL20



RAL 8028 TERRA
BROWN 90 GLOSS
C209-BR358

Hammer:



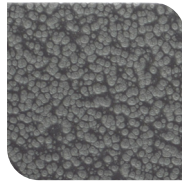
WHITE HAMMER
T013-WH09



BEIGE HAMMER
T013-BG38



GREY HAMMER
C013-GR08



SILVER
HAMMERTONE
T064-GR05



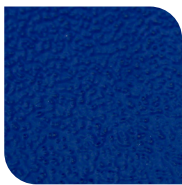
BLACK HAMMER
T013-BK62



RED HAMMER
T013-RD15



GREEN HAMMER
T013-GN220



BLUE HAMMER
T013-BL468



BRONZE HAMMER
T012-BR161

Texture:



WHITE TEXTURE
C031-WH120



FLINT GRAY
TEXTURE
T243-GR522



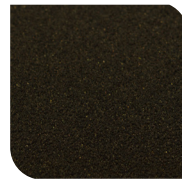
BLACK TEXTURE
C241-BK109



RED TEXTURE
T241-RD129



BLUE TEXTURE
C241-BL544

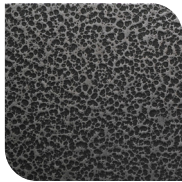


OIL RUBBED
BRONZE TEXTURE
T291-BR251

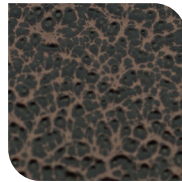
Vein:



BLACK/WHITE
VEIN
T075-WH34



SILVER VEIN
T375-BK26



COPPER VEIN
EXTERIOR
T075-BK211



GOLD VEIN
T375-BK10



COPPER VEIN
T375-BK07

