

LED Flat Panel
Ultra-Thin Edge-Lit LED Panel
2X2



Project:	
Catalog#:	
Approved by:	

Warranty & Listings

- UL listed for damp locations and insulated ceilings (IC-rated) for use in ambient temperatures from -25°C to 50°C (-13°F to 122°F).
- Complies with RoHS (Restriction on Hazardous Substances) requirements.
- 5-year warranty of all electronics and housing.

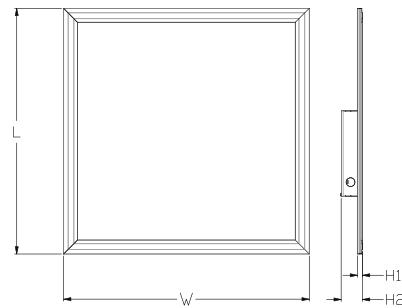
Description

The premium-performance, ultra-thin, edge-lit LED panel series offers industry-leading lumens per watt (LPW). The LFP is designed to deliver general ambient lighting in a variety of indoor settings, including schools, offices, hospitals and stores, and is the perfect choice for both new construction and retrofits. This high-efficacy luminaire provides long-life and uniform illumination, as well as standard 0-10 VDC dimming capability.

Features

- Long-life LEDs
- Uniform illumination with no visible LED pixilation.
- Universal 120-277 AC voltage (50-60Hz) is standard.
- 0-10VDC dimming capability is standard.
- Power factor > 0.90.
- Total harmonic distortion < 20%.
- Color rendering index > 80.
- Aluminum housing.
- PMMA (polymethyl methacrylate) acrylic lens with light guide panels for optimal light distribution and efficiency.
- Easy installation in new construction or retrofit.
- Standard earthquake clips provide secure installation in grid ceilings.
- Designed for recessed mounting in ceiling grids.

Dimensions



Models	L (in.)	W (in.)	H1 (in.)	H2 (in.)
LFP2240AMV	23.7	23.7	0.38	1.8



Ordering Information

Model	Watts	Lumens	CCT	Lm/W	Voltage	Package Quantity	Rated Life ¹ (L ₇₀)
LFP2240AMV	39	4,900	4000K	128	120 - 277V 50/60Hz	Sold in multiples of 4	160,000 Hours

¹L₇₀ hours are IES TM-21-11 calculated hours.