

LESW SERIES

Exit & Emergency Lighting

ECONOMY OUTDOOR EMERGENCY WALL PACK

LESW-15-30W-MCTP-P-EM

WESTGATE

THE FUTURE IS HERE...AND IT'S QUITE BRIGHT!

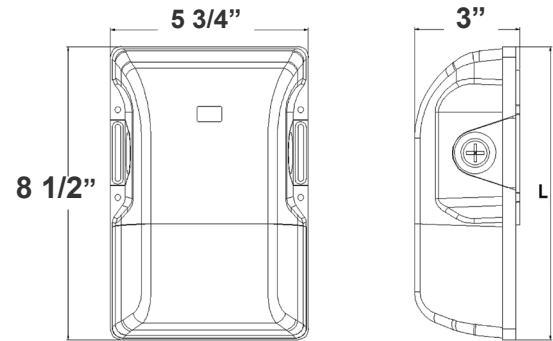


Customer Name: _____

Project Name: _____

Note: _____

Type: _____



8 1/2"(L) x 5 3/4"(W) x 3"(D)

LED Non-Cutoff Wall Pack with Photocell is ideal for general site lighting, loading docks, doorway, pathway and parking areas.

Features

- Back plate: Die-cast aluminum
- Multi-Power (The switch is inside the fixture)
- Polycarbonate Housing & Lens
- 7-Year Warranty

Technical Specifications

Electrical:

- Voltage: 120-277V AC 60Hz
- Wattage: 15W/20W/30W
- Power Factor: >0.90
- Efficacy: 135LPW
- Includes Pre-wired Photo Electric Control (Dusk to Dawn Photocell), 120 Volt, Removable
- Photocell Response Time: Maximum 3 Seconds

Mechanical:

- Back plate: Die-cast aluminum
- Polycarbonate Housing & Lens
- Non-Cutoff Optics Ideal for Maximum Light Distribution
- IP67 Stainless Steel Test Button with Integrated Indicator Light
- Operating Temperature: -4°F to +113°F
- Wet Location
- 7-Year Warranty
- IP65

Lighting:

- Dimming: 0-10V Dimming
- LED Type/Brand: 2835LUMILEDS
- Front: Polycarbonate Lens and Housing
- Multi-Power (The switch is inside the fixture)
- Total Lumens: 2025LM/2700LM/4050LM
- Color Temperatures: 3000K/4000K/5000K
- Color Rendering Index: CRI ≥ 70
- 4W, 60V, 2500mAh Li-ion Battery for Minimum 90 Minutes Emergency Operation
- Beam Angle: 100°
- Rated life: 70,000 Hrs

Applications:

- Entrance lighting, courtyard lighting;
- Industrial lighting, Outdoor landscape lighting;
- Building, The hotel;
- Wall lighting area and so on

Other Models:

- 30W | 4050LM | LESW-15-30W-MCTP-P-WH-EM

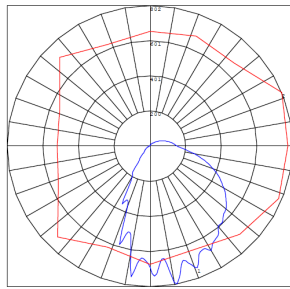
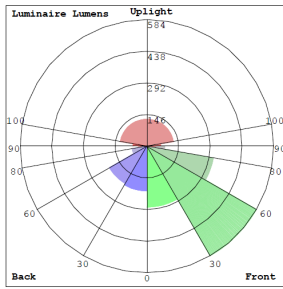


Phone: (877) 805-2252 | Fax: (877) 805-2252
www.westgatemfg.com

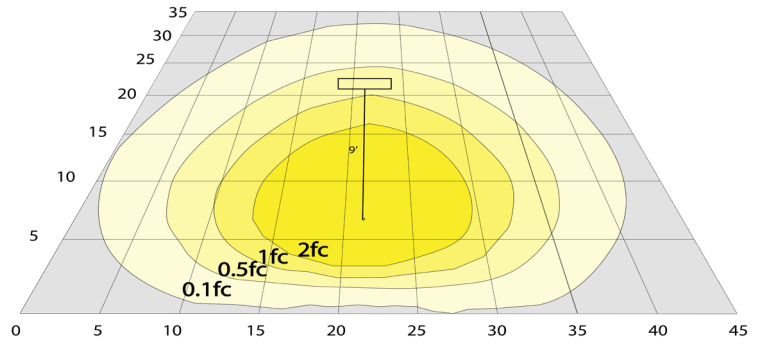


WG-ZY-29-2Z

Photometrics: LESW-15-30W-MCTP-P-EM



BUD Rating: B1-U3-G1

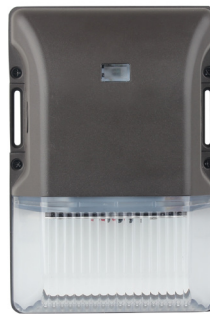


30W 5000K, Area 35'x 45' Mounting Height: 9'

Other Views:



Side View



Front View



Back View

Performance Table: LESW-15-30W-MCTP-P-EM

MODEL NO.	Wattage	Voltage	Lumens	Color Temp.	BUG Rating	LPW
LESW-15-30W-MCTP-P-EM	15W	120-277V	2025LM	3000K 4000K 5000K	B1-U3-G1	135
	20W		2700LM			
	30W		4050LM			

Sample Ordering

Model	Min.	Max.	Wattage	Color Temp.	Sensor	Battery				
LESW	-	15	-	30W	-	MCTP	-	P	-	EM

Example:

1. LESW-15-30W-MCTP-P-EM

(FOR LESW 30W MCTP FIXTURE 120-277V)

