



WAREHOUSE-LIGHTING.COM

INDUSTRIAL AND COMMERCIAL  
LIGHTING MFR SINCE 2003

# Installation Guide

Read Instruction manual carefully to ensure proper installation.  
Please keep this instruction manual for future using!

## ! WARNING

To avoid the risk of fire, or electric shock this product should be installed, inspected, and maintained by a qualified electrician only. Installation should be completely by an individual familiar with the construction and operation of the luminaire. Installation of luminaire must be in accordance with nation and local building and electrical codes.

### Safety Warning:

To avoid electric shock:

Be certain electrical power is OFF before and during installation and maintenance.

Luminaire must be supplied by a wiring system with an equipment grounding conductor.

To avoid burning hands:

Make sure lens and housing are cool when performing maintenance.

To avoid product degradation:

Make sure the wire supply voltage is the same as the luminaire supply

Use proper supply wiring as specified on the luminaire nameplate.

Avoid use in environments containing sulfur, chlorine, or other halides, methyl acetate or ethyl acetate, cyanoacrylates, glycol ethers, formaldehyde or butadiene.

### Notes:

Instructions do not cover all details and all possible product configurations.

Do not restrict luminaire ventilation.

Ensure LED luminaire is not covered with material that will prevent convection or conduction cooling.

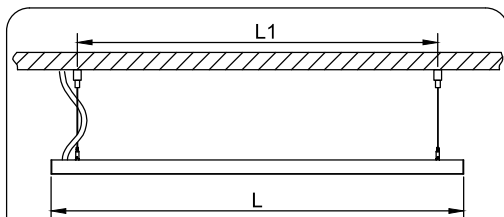
Ensure LED luminaire has the correct polarity before installation

Avoid exposing wiring to metal edges and sharp objects.

### Maintenance:

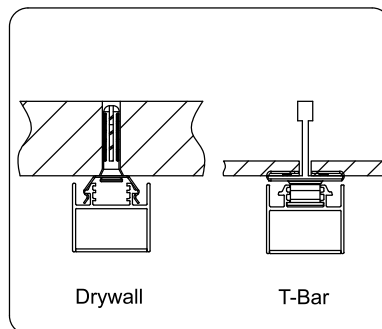
Perform visual, electrical, and mechanical inspections on a regular basis. The environment and frequency of use should determine this. However, it is recommended that checks be made at least once a year. Electrically check to make sure that all connections are clean and tight. Mechanically check that all parts are properly assembled.

### ■ Installation Dimension (suspended)

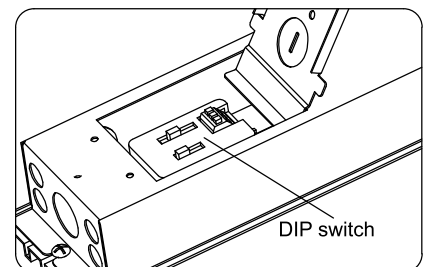


	2ft	4ft	8ft
L	24.00" 610mm	48.00" 1220mm	96.00" 2440mm
L1	20.00" 508mm	40.00" 1016mm	88.00" 2236mm

### ■ Surface mounted



### ■ Dip switch for CCT and Wattage



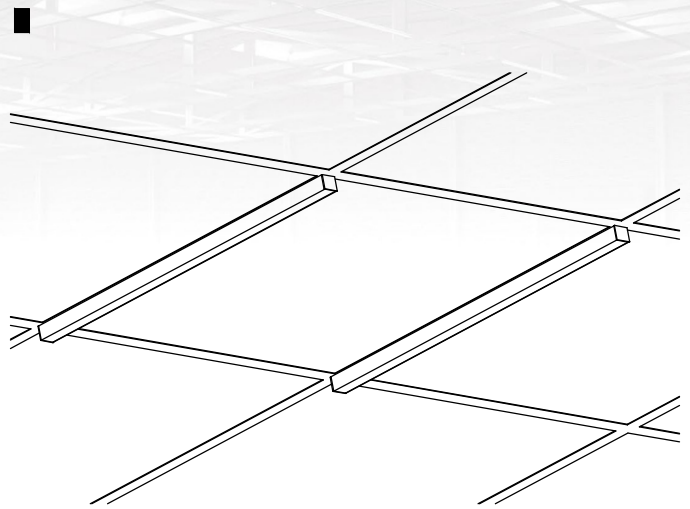
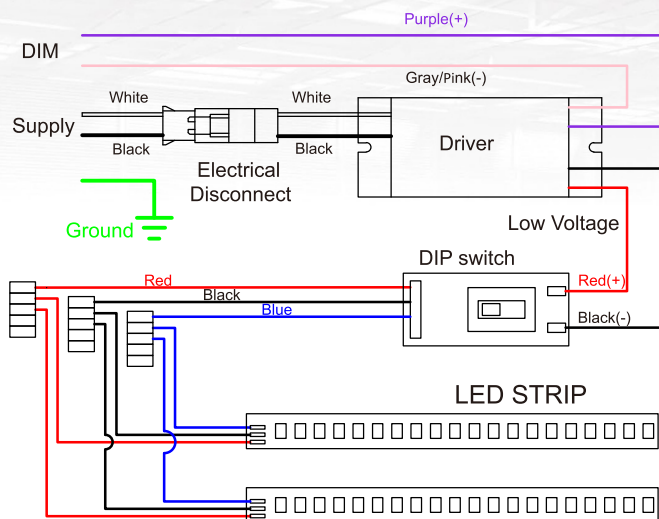


WAREHOUSE-LIGHTING.COM

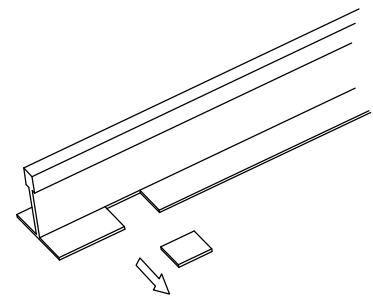
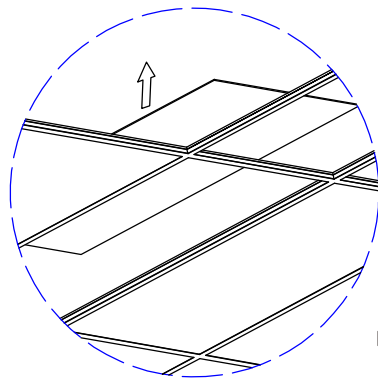
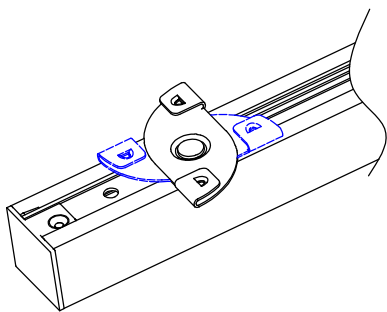
INDUSTRIAL AND COMMERCIAL  
LIGHTING MFR SINCE 2003

# Installation Guide

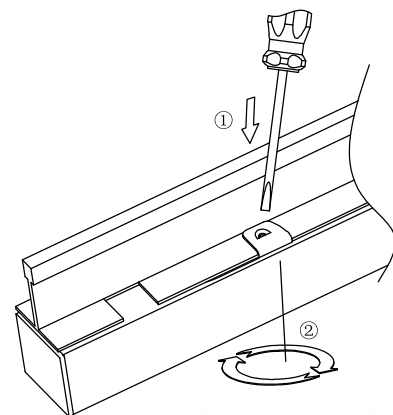
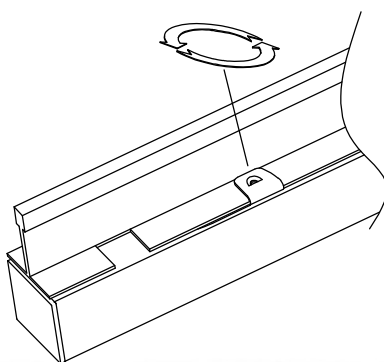
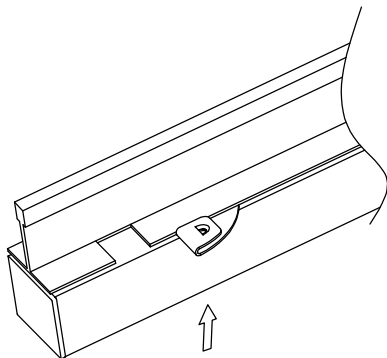
## ■ Wiring Diagram



## ■ For T Grid Ceiling



Drill hole the T grid to make sure the cable get through

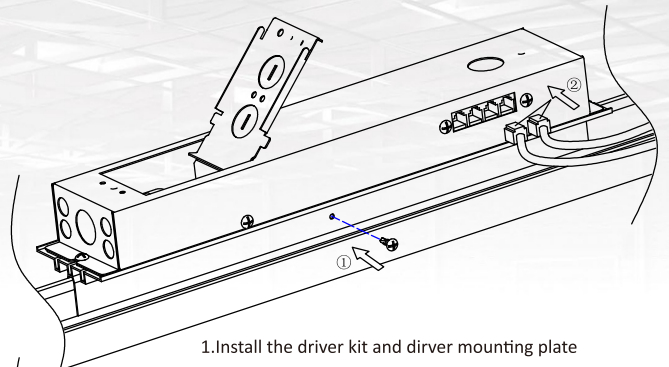
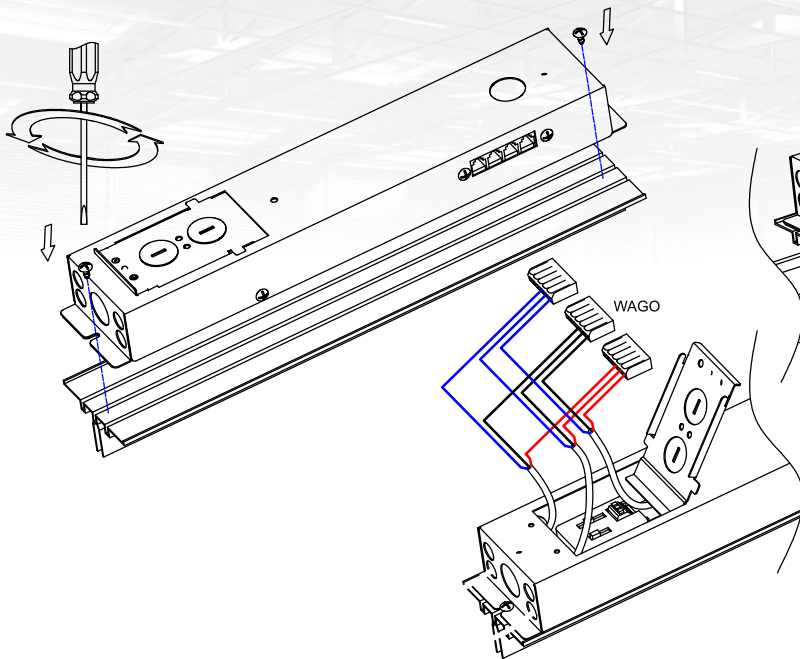




WAREHOUSE-LIGHTING.COM

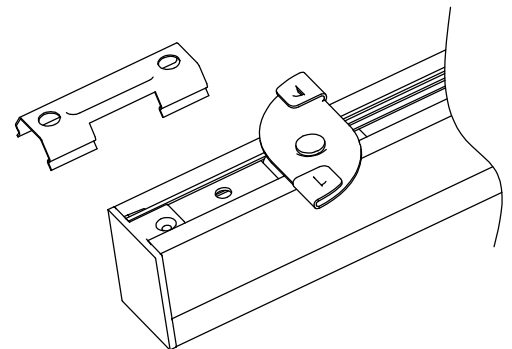
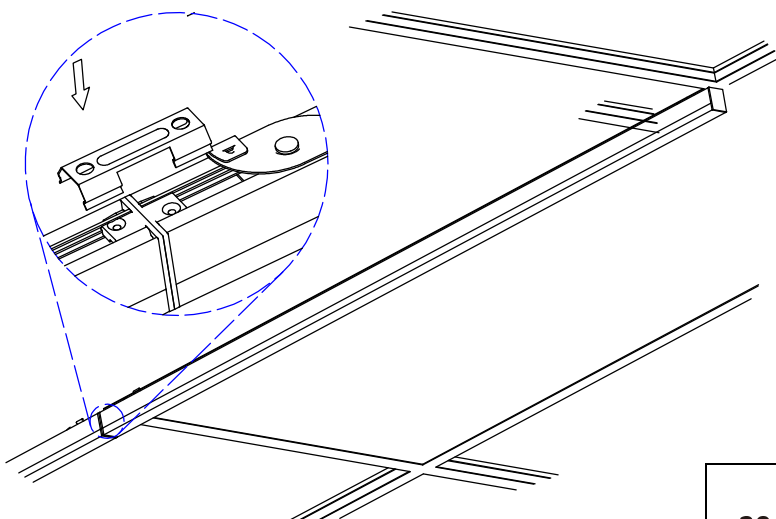
INDUSTRIAL AND COMMERCIAL  
LIGHTING MFR SINCE 2003

# Installation Guide



1. Install the driver kit and driver mounting plate
2. Lay the complete kit on the back of the t grid
3. Wire with AC input , turn off AC before you complete the wiring

## ■ Connection for T grid ceiling



<b>20/30/40W driver box</b>	<b>2FT</b>	<b>4pcs</b>
	<b>4FT</b>	<b>2pcs</b>
	<b>2x2FT</b>	<b>2pcs</b>



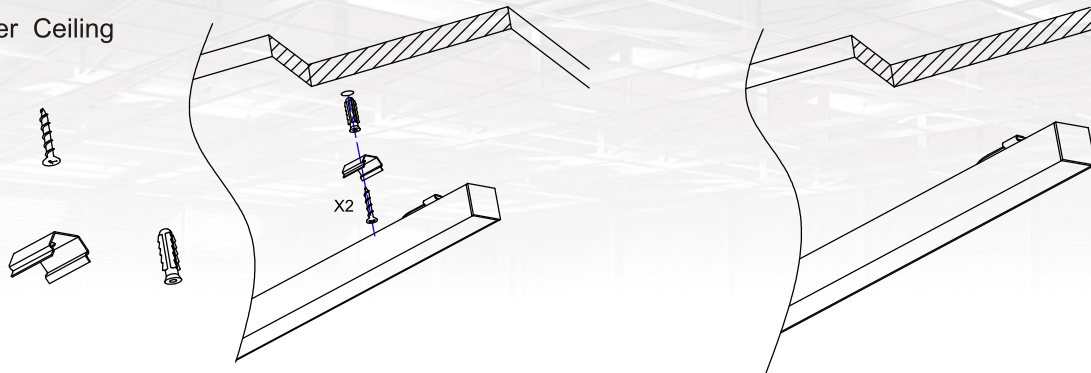


WAREHOUSE-LIGHTING.COM

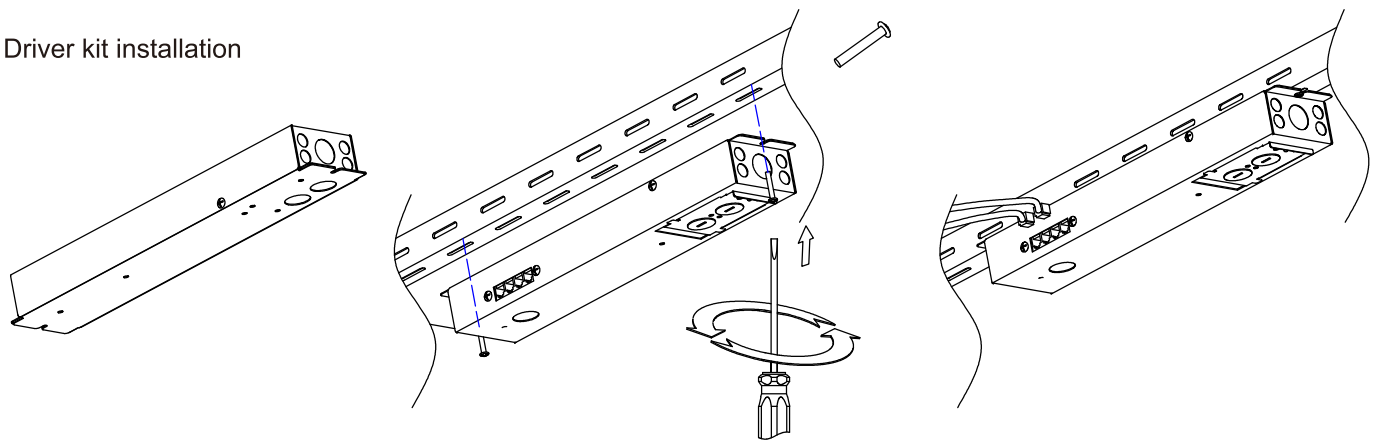
INDUSTRIAL AND COMMERCIAL  
LIGHTING MFR SINCE 2003

# Installation Guide

## ■ For other Ceiling

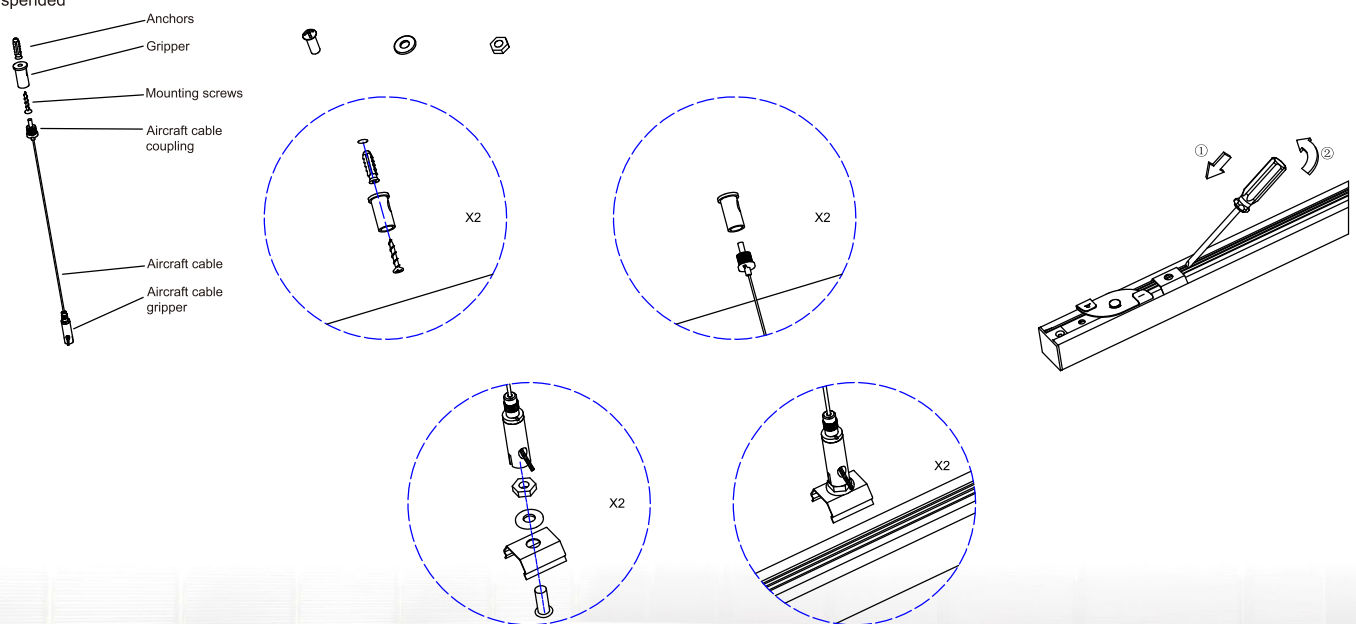


## Driver kit installation



NOTE: Same length connect with same driver kit, donot suggest to connect with different fixture to same driver.

## ■ Suspended



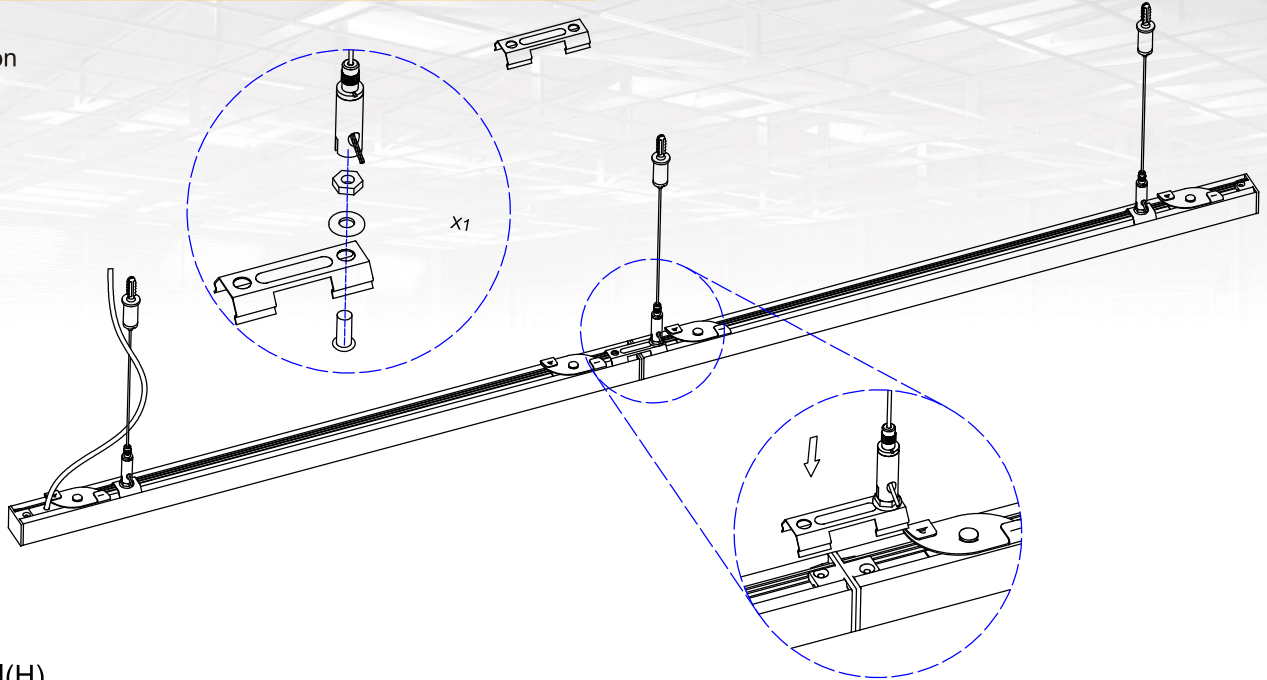


WAREHOUSE-LIGHTING.COM

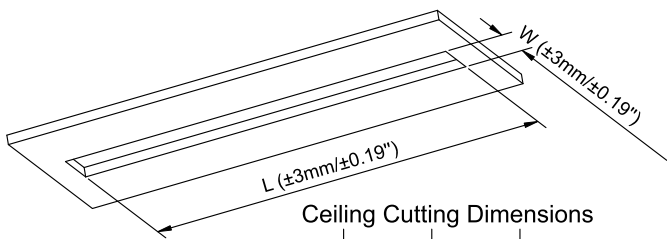
INDUSTRIAL AND COMMERCIAL  
LIGHTING MFR SINCE 2003

# Installation Guide

## ■ Connection

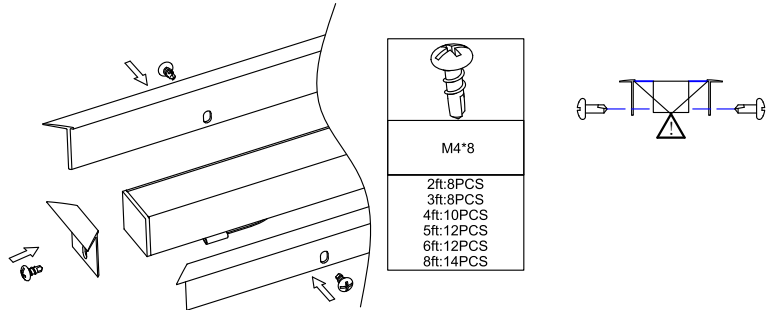


## ■ Recessed(H)

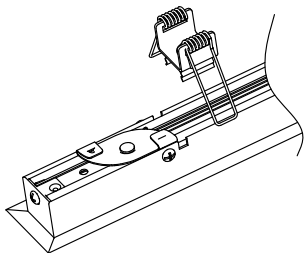


Ceiling Cutting Dimensions

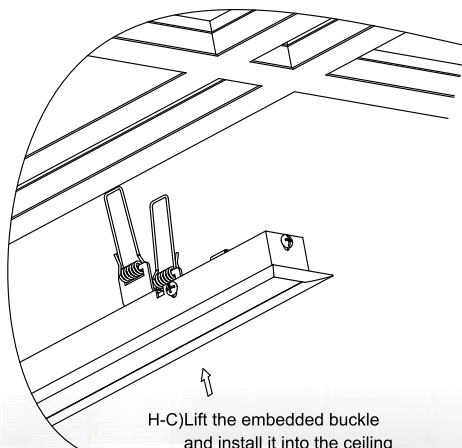
	2ft	4ft	8ft
L	24.41" 620mm	48.43" 1230mm	96.46" 2450mm
W		1.42" 36mm	



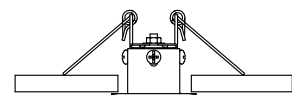
H-A)Screw the frame on the fixture



H-B)Attach embedded buckles



H-C)Lift the embedded buckle  
and install it into the ceiling



H-D)Embedded spring buckle  
automatically rebounds when complete