



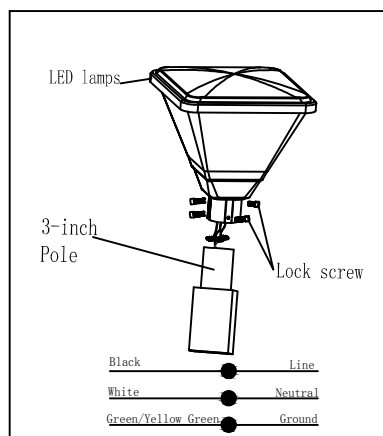
PLEASE READ ALL INSTRUCTIONS BEFORE ATTEMPTING INSTALLATION

- To prevent personal injury or product damage only licensed electricians should install.
- To avoid electric shock or component damage disconnect power before attempting installation or servicing.
- This product must be installed in accordance with the national electric code (NEC) and all applicable federal, state and local electric codes and safety standards.
- Disconnect product and allow cooling prior to servicing.
- Any alteration or modification of this product is expressly forbidden as it may cause serious personal injury, death, property damage and/or product malfunction.
- To prevent product malfunction and/or electrical shock this product must be properly grounded.
- This luminaire is designed to operate in ambient temperatures ranging from -30°C to 45°C and to be horizontally mounted with the LEDs facing down.
- Square Post Top Light only.

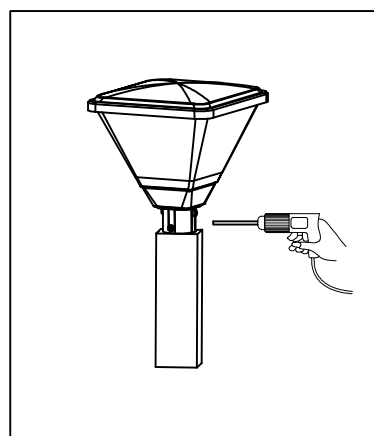
1.Unpacking

Check whether the fixtures are damaged, please report to the carrier if any damage.

2.Installation



1.Connect the AC wire of the lamp as shown in the picture, then insert the lamp into the 3-inch pole.



2.Lock the screws on both sides of the lamps , fix the lamps on the pole.

3. Checking

1. Does all the wires connect in a correct way as the pictures show below?
2. Is the ground lead installed appropriately?
3. make sure the photocell function well.