



## Applications:

Suitable for commercial, retail and institutional applications including gymnasiums, factories and warehouses.

## Features

- Sealed die-casting profile for indoor and outdoor applications.
- 0-10V dimming standard for a dimming range of 100% to 0%.
- Best choice for replacing 250W MH and 400W MH.
- Increase energy savings with optional sensors.
- 97&215W optional for CCT dial (4000K/5000K).
- Operating temperature is -40°C to 45°C (-40°F to 113°F).
- Hook mount, pendant mount and surface mount available.



97W



215W



### CCT&Power regulator

Offer four selectable lumen output (40%/60%/80%/100%) and two CCTs(40&50K)

**Build-in sensor(optional)**  
Microwave sensor allows for security and energy saving.



### Installation accessory

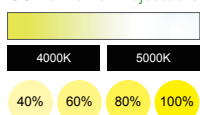
Available for both hook mounting and surface mounting with bracket(optional). Bracket allows to adjust the direction to illuminate any area you need.



97W



### CCT & Power Adjustable



### Installation accessory

Available for both hook mounting and surface mounting with bracket(optional). Bracket allows to adjust the direction to illuminate any area you need.



215W



### CCT&Power regulator

Offer four selectable lumen output (40%/60%/80%/100%) and two CCTs(40&50K)

**External sensor(optional)**  
PIR sensor allows for security and energy saving.



## ADJUSTABLE LUMEN OUTPUT TABLE

SYSTEM WATTS	VOLTAGE	PHOTOMETRY	LUMENS 4000K(70CRI)	LPW 4000K(70CRI)	LUMENS 5000K(70CRI)	LPW 5000K(70CRI)
97W	120-277VAC	High Bay	14000lm	144 lm/W	13800lm	142 lm/W
215W	120-277VAC	High Bay	30500lm	142 lm/W	30300lm	141 lm/W

## ADJUSTABLE LUMEN OUTPUT TABLE

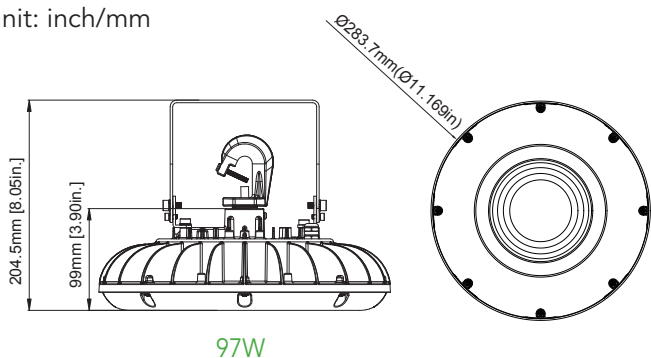
SETTING	CCT	97W			215W		
		SYSTEM WATTS	LUMENS (70CRI)	LPW (70CRI)	SYSTEM WATTS	LUMENS (70CRI)	LPW (70CRI)
100%	4000K	97	14000	144	215	30500	142
	5000K	97	13800	142	215	30300	141
80%	4000K	80	11700	146	170	25000	147
	5000K	80	11500	144	170	24500	144
60%	4000K	60	9000	150	128	20000	156
	5000K	60	8900	148	128	19500	152
40%	4000K	40	6700	168	85	13700	161
	5000K	40	6600	165	85	13500	159

## ELECTRICAL DATA

Number Of Drivers	Driver Current (mA)	Nominal Power (W)	INPUT VOLTAGE (V)	CURRENT (Amps)
1	850	97	120	0.81
		97	208	0.47
		97	240	0.40
		97	277	0.35
1	830	215	120	1.79
		215	208	1.03
		215	240	0.90
		215	277	0.78

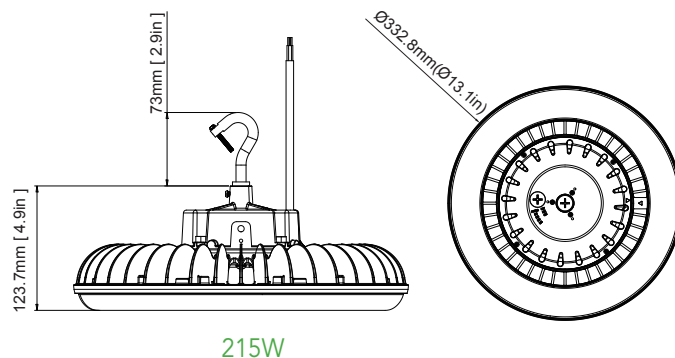
## DIMENSION

unit: inch/mm



97W

Net Weight:  
97W: 4.74 lbs(2.15kg)



215W

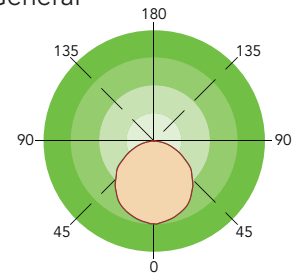
Net Weight:  
215W: 6.81 lbs(3.09kg)

## ACCESSORIES

 <p>Built-in microwave sensor, for 97W. (US002-01VR-1)</p>	 <p>External PIR sensor, for 215W. ( ANT-6-4T)</p>	 <p>Yoke for Surface Mount, two sizes.</p>
--	---	--

## PHOTOMETRICS

General



## ORDERING GUIDE

Example: MHB0697W27VDDKBM1

Fixture Type <input type="text"/>	Wattage <input type="text"/>	Voltage <input type="text"/>	CCT <input type="text"/>	Finish <input type="text"/>	Sensor (Option) <input type="text"/>	Internal Code <input type="text"/>
<b>MHB06</b> High Bay Series	<b>97</b> 97W <b>215</b> 215W	<b>27V</b> 120-277V	<b>DDK</b> Adjustable color temperature	<b>B<sup>1</sup></b> Black	<b>M</b> With Sensor <b>Blank</b> Without Sensor	<b>Blank</b> <b>Alphanumeric</b>

Note: Black is the default finish, if you need other customized colors, please consult the relevant sales manager.