



WARNING

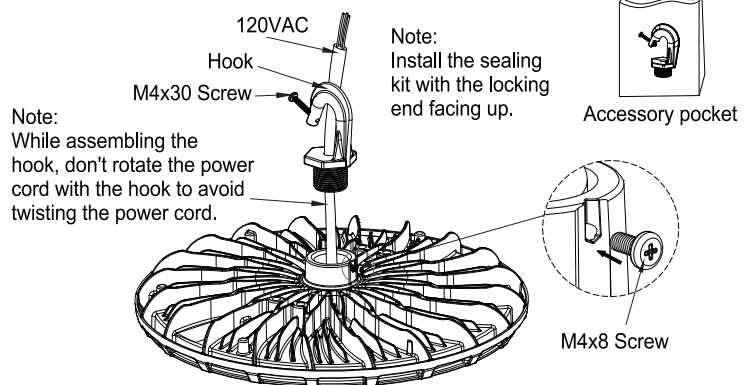
PLEASE READ ALL INSTRUCTIONS BEFORE ATTEMPTING INSTALLATION

1. To prevent personal injury or product damage only licensed electricians should install.
2. To avoid electric shock or component damage disconnect power before attempting installation or servicing.
3. This product must be installed in accordance with the national electric code (NEC) and all applicable federal, state and local electric codes and safety standards.
4. Disconnect product and allow cooling prior to servicing.
5. Any alteration or modification of this product is expressly forbidden as it may cause serious personal injury, death, property damage and/or product malfunction.
6. To prevent product malfunction and/or electrical shock this product must be properly grounded.
7. This luminaire is designed to operate in ambient temperatures ranging from -40°C to 40°C and to be horizontally mounted with the LEDs facing down.
8. This product must be installed in accordance with the applicable installation code by a Person familiar with the construction and operation of the product and the hazards involved.
9. Min 75°C supply conductors.
10. This product is not available for several special environments, such as places with corrosive gas liquids or high pressure water vapor.

Installation

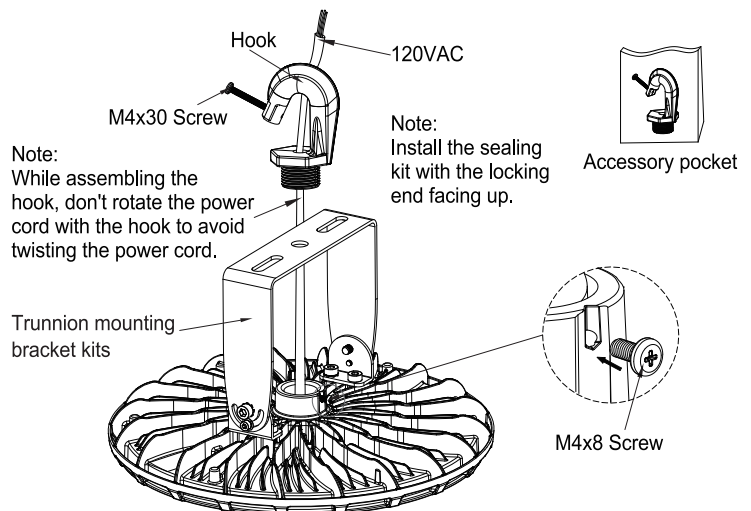
Hook installation (Default)

1. Take out the hook from the accessory bag, and screw the hook into the 3/4 hole of the fixture to lock it.
2. After the hook is locked in place, there is an M4x8 screw next to the fixture, which is already in the fixture hole, and it needs to continue to be locked, so as to ensure that the hook will not rotate and fall off easily.
3. After hanging the fixture in the desired position, lock the M4x30 screw to ensure that the fixture does not fall when it shakes.
4. Connect the wires and the installation is complete.



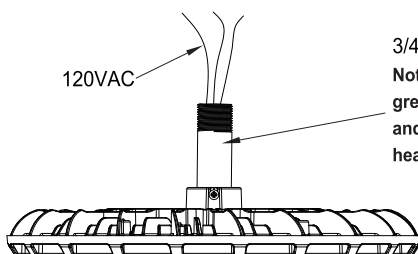
Trunnion installation

1. Take out the hook from the accessory bag, and screw the hook into the 3/4 hole of the fixture to lock it.
2. After the hook is locked in place, there is an M4x8 screw next to the fixture, which is already in the fixture hole, and it needs to continue to be locked, so as to ensure that the hook will not rotate and fall off easily.
3. Fix the TR bracket in the required position and adjust the required angle.
4. Connect the wires and the installation is complete.



Pendant mounting with 3/4" conduit (by others)

1. Thread the cable through the G3/4 tube, and then rotate the fixture to the tube.
2. After the G3/4 tube is locked in place, there is an M4x8 screw next to the fixture, which is already in the fixture hole, and it needs to continue to be locked, so as to ensure that the G3/4 tube will not rotate and fall off easily.
3. Connect the wires and the installation is complete.



Wire Connection

Black	○	Line
White	○	Neutral
Green/Yellow Green	○	Ground