



Applications:

Parking structures, storage areas, shopping area walkways, entryway, and low level security.

Features

- Sealed die-casting profile for indoor and outdoor applications.
- Voltage is 120-277V & 347V.
- Lumen output from 3500-12300lm with efficacy up to 137lm/W.
- Optional Parking Garage Photometry or Low Bay Photometry as per applications.
- Increase energy savings with bi-level Motion sensor.
- Replacing 100W MH and 175W MH.
- Operating temperature is -40°C to 45°C(-40°F to 113°F).
- UL/cUL wet location and DLC premium qualified.

Note: DesignLights Consortium™ Qualified and classified for DLC Premium, refer to www.designlights.org for details.



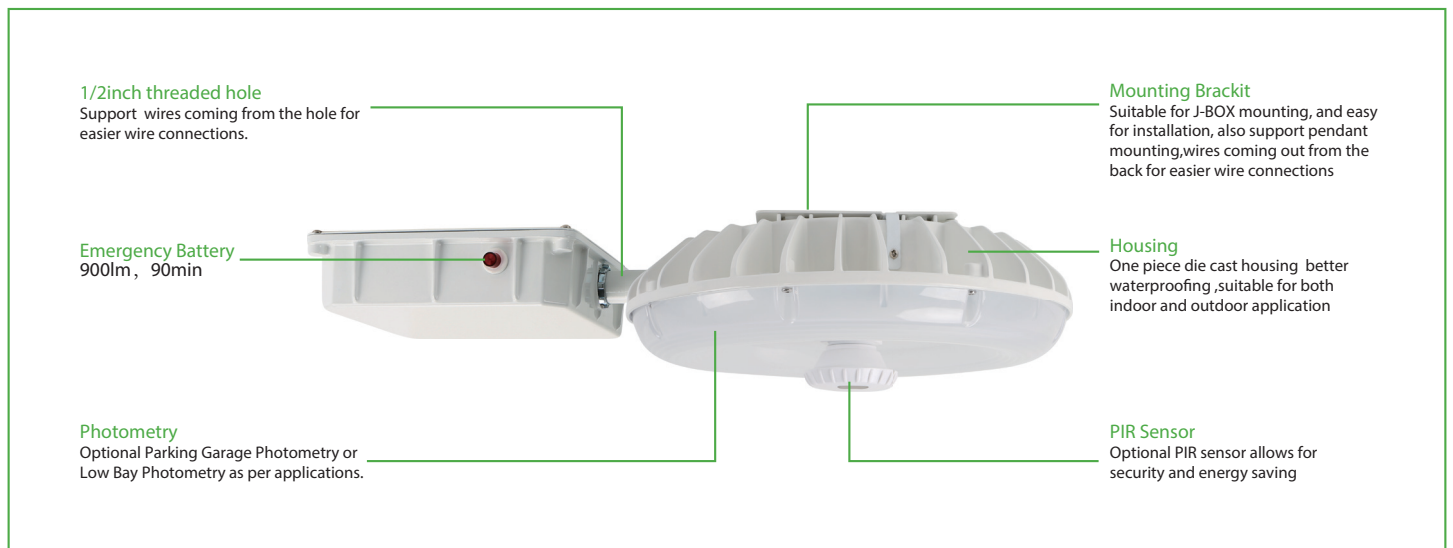
30W/45W/60W



30W/45W/60W



90W



PERFORMANCE DATA

SYSTEM WATTS	PHOTOMETRY	VOLTAGE	LUMENS 4000K(70CRI)	LPW 4000K(70CRI)	LUMENS 5000K(70CRI)	LPW 5000K(70CRI)
30W	Parking Garage	120-277VAC	4000lm	133lm/W	4000lm	133lm/W
	Low Bay	120-277VAC	3800lm	127lm/W	3800lm	127lm/W
45W	Parking Garage	120-277VAC	5700lm	127lm/W	5700lm	127lm/W
	Low Bay	120-277VAC	5500lm	122lm/W	5500lm	122lm/W
50W	Parking Garage	347VAC	5700lm	114lm/W	5700lm	114lm/W
	Low Bay	347VAC	5500lm	110lm/W	5500lm	110lm/W
60W	Parking Garage	120-277VAC	7500lm	125lm/W	7500lm	125lm/W
	Low Bay	120-277VAC	7600lm	127lm/W	7600lm	127lm/W
65W	Parking Garage	347VAC	7500lm	115lm/W	7500lm	115lm/W
	Low Bay	347VAC	7600lm	117lm/W	7600lm	117lm/W
90W	Parking Garage	120-277VAC	12300lm	137lm/W	12300lm	137lm/W

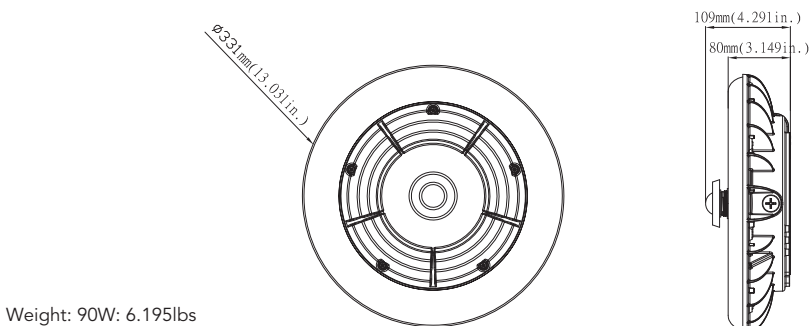
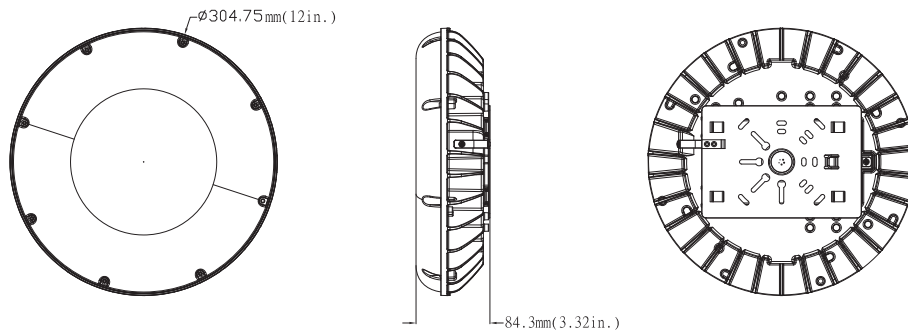
ELECTRICAL DATA

Number Of Drivers	Driver Current (mA)	Nominal Power (W)	INPUT VOLTAGE (V)	CURRENT (Amps)
1	760	30	120	0.25
		30	208	0.14
		30	240	0.13
		30	277	0.11
1	1110	45	120	0.38
		45	208	0.22
		45	240	0.19
		45	277	0.16
1	1500	50	347	0.14
		60	120	0.50
		60	208	0.29
		60	240	0.25
1	2270	60	277	0.22
		65	347	0.19
		90	120	0.75
		90	208	0.43
1	2270	90	240	0.38
		90	277	0.32

DIMENSION

unit: mm/inch

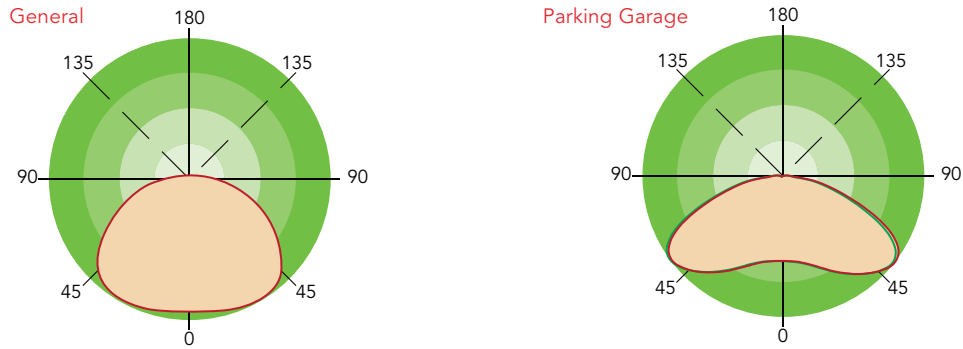
Weight: 30W: 5.29lbs
45W: 5.4lbs
60W: 5.73lbs



Weight: 90W: 6.195lbs

CHOOSE YOUR OPTICAL DISTRIBUTION

Each optic is designed for a specific purpose. The general distribution allows a wash of light in any application. In addition, we design an optics specially for parking garage.



ORDERING GUIDE

Example: MCP0330W27V40KDMDPG

Fixture Type	Wattage	Voltage	CCT	Finish	Sensor (Option)	Dimmable	Photometry	Emergency Battery (Only for 45W)	Internal Code
<input type="text"/>	<input type="text"/>	<input type="text"/>	<input type="text"/>	<input type="text"/>	<input type="text"/>	<input type="text"/>	<input type="text"/>	<input type="text"/>	<input type="text"/>
MCP03 MCP Series	30 30W 45 45W 50 50W 60 60W 65 65W 90 90W	27V 120-277V 34V 347V	40K 4000K 50K 5000K	D Dark Bronze B Black W White	Blank Without Sensor M With Sensor	D 1-10V Dimmable Blank NON Dimmable	PG Parking Garage LB Low Bay	B Emergency Battery Blank Without Emergency Battery	Blank Alphanumeric

- Note: 1. The watt is 45W when the voltage is 120-277V, while the voltage is 347V, the watt is 50W.
 2. The watt is 65W when the voltage is 120-277V, while the voltage is 347V, the watt is 65W.
 3. Optional emergency battery only for 45W.
 4. 90W is only for 120-277V and only has Parking Garage photometry.

DLC Model NO.

SYSTEM WATTS	VOLTAGE	CCT	Dimmable	DLC NO.	DLC Classification
30W	120-277V	4000K	YES	MCP0330W27V40K[D,B,W][Blank,M]DPG[Blank,B][Blank,A-Z,a-z,0-9]	Premium
		5000K	YES	MCP0330W27V50K[D,B,W][Blank,M]DPG[Blank,B][Blank,A-Z,a-z,0-9]	Premium
45W	120-277V	4000K	YES	MCP0345W27V40K[D,B,W][Blank,M]DPG[Blank,B][Blank,A-Z,a-z,0-9]	Premium
		5000K	YES	MCP0345W27V50K[D,B,W][Blank,M]DPG[Blank,B][Blank,A-Z,a-z,0-9]	Premium
60W	120-277V	4000K	YES	MCP0360W27V40K[D,B,W][Blank,M]DPG[Blank,B][Blank,A-Z,a-z,0-9]	Premium
		5000K	YES	MCP0360W27V50K[D,B,W][Blank,M]DPG[Blank,B][Blank,A-Z,a-z,0-9]	Premium
90W	120-277V	4000K	YES	MCP0390W27V40K[D,B,W][Blank,M]DPG[Blank,B][Blank,A-Z,a-z,0-9]	Premium
		5000K	YES	MCP0390W27V50K[D,B,W][Blank,M]DPG[Blank,B][Blank,A-Z,a-z,0-9]	Premium