



Gas Station Canopy LED Light



Date:..... Location:

Product:..... Project:.....

Quantity:..... Catalog#

FEATURES

- IP65 rated with traditional square outlook
- Easy installation and maintenance
- Corrosion and rust proof
- 50,000 hours lifetime

SUITABLE APPLICATIONS

- Gas Station Lighting

CONSTRUCTION:

Heavy die-cast aluminum alloy housing with white powder-coated finish.

ELECTRICAL:

Available as 120-277V input. -20°C to 45°C.

OPTICAL SYSTEM:

HighLumen lumileds LED chips. 110° beam angle with clear PC cover.

INSTALLATION&MOUNTING:

Ceiling Mounting/Pipe pole Mounting for easy installation.

WARRANTY:

5-year limited warranty. Actual performance may differ as a result of end-user environment and application.

PERFORMANCE

Model NO	Power Factor	Wattage	Voltage/CurrentInput		Light Efficiency	Kelvin Options
			120V	277V		
AST-CP02B-150WSAMA2-ab	0.9	150W	1.25A	0.54A	140LM/W	5700K
AST-CP02B-180WSAMA2-ab	0.9	180W	1.50A	0.64A	140LM/W	5700K
AST-CP02B-240WSAA-ab	0.9	240W	2.00A	0.86A	140LM/W	5700K

Gas Station Canopy LED Light



Electric Characteristic

Specification/Model	AST-CP02B-150WSAMA2-ab	AST-CP02B-180WSAMA2-ab	AST-CP02B-240WSAA-ab
LED Driver	UL listed Sosen Brand		
Input power	150W	180W	240W
Lumens output	21000LM	25200LM	22600LM
Efficiency	140LM/W	140LM/W	140LM/W
CRI	>80	>80	>80
Color Temperature	5700K	5700K	5700K
Input voltage	120-277V/AC	120-277V/AC	120-277V/AC
Light distribution type	110D	110D	110D
Working temperature	-20+45°C	-20+45°C	-20+45°C
Junction temperature	<75°C	<75°C	<75°C
lamps efficiency	≥90%	≥90%	≥90%
Certificate	UL CUL DLC	UL CUL DLC	UL CUL DLC
Equivalent	300-450W MH/HPS	360-540W MH/HPS	480-800W MH/HPS

Electric Characteristic

PRODUCT ORDERING GUIDE

AST-CP02B-150WSAMA2-ab

1 2 3

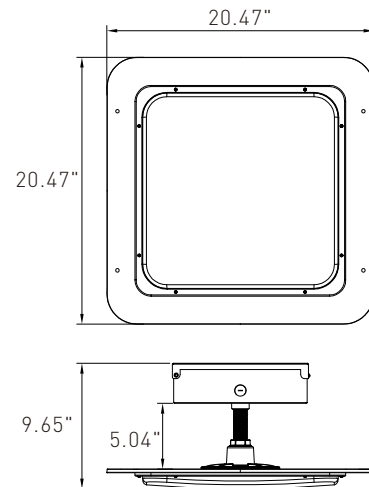
[ATS] - [CP02B] - [150W] SAMA2-ab

ATS actory code

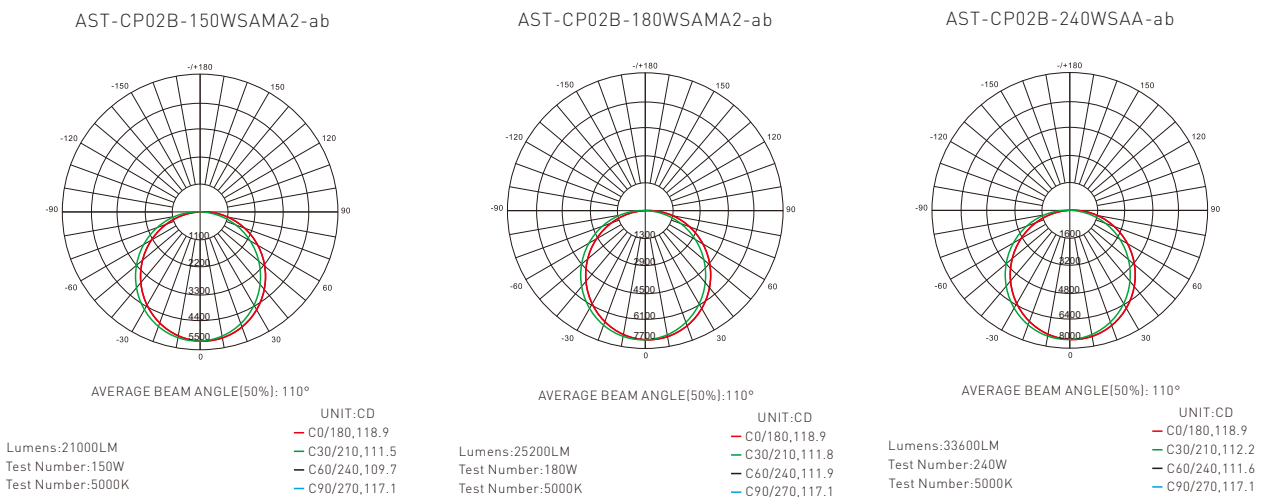
CP02B V5 Canopy

150W Power

DIMENSION



DISTRIBUTION DIAGRAM



LED Canopy Light Installation Instruction

Cautions:

1. Can not use the electric generator to test the LED light.
2. Please abide by related country, regional and local law and regulations when install this fixture.
3. Please turn off the power before installation or maintenance.
4. Proper earth grounding is required to ensure safety.

Notice:

1. To avoid possibility of electrical shock or fire, the installation personnel must have professional electric knowledge.
2. Please wear gloves to avoid injury before installation.
3. If any smoke or spark of the wire happened, please turn off the power immediately and notify relevant personnel.

Attention:

1. Please check if there is any damage during shipping. If so, please contact manufacturer timely.
2. Please read the installation instruction carefully to check whether all the accessories are complete. After confirmation, then install the fixture according to installation steps.

Installation Steps:

1. Screw the aluminum pipe into the heatsink. (Figure 1)

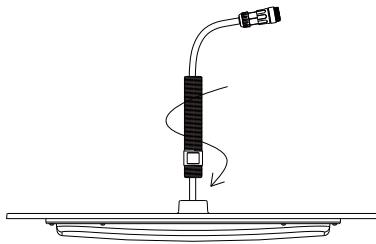


Figure 1

2. Screw the safety rope to heatsink by screwdriver. (Figure 2)

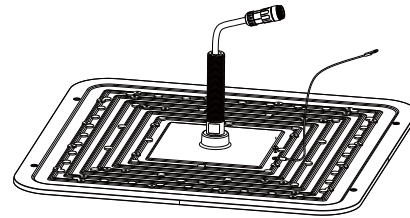


Figure 2

3. Drill the installation hole accordingly on the ceiling. (Figure 3)

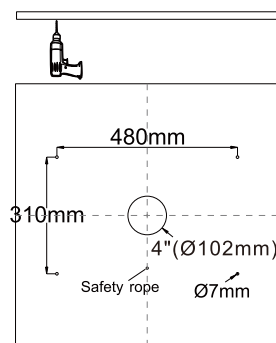


Figure 3

4. Lock the safety rope to the ceiling, assemble the installation plate to the aluminum pipe, then install led fixture. (Figure 4)

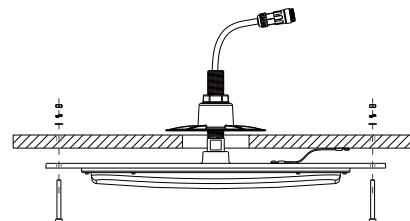


Figure 4

Gas Station Canopy LED Light

5. Take the driver box apart by screwdriver. (Figure 5)

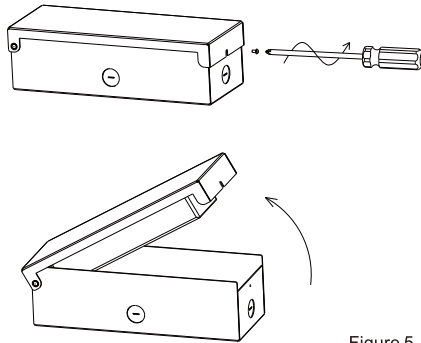


Figure 5

6. Assemble the 3/4 pipe nut to the aluminum pipe (fix the height and direction of driver box), across the DC connector through driver box, then screw the driver box onto the aluminum pipe. (Figure 6)

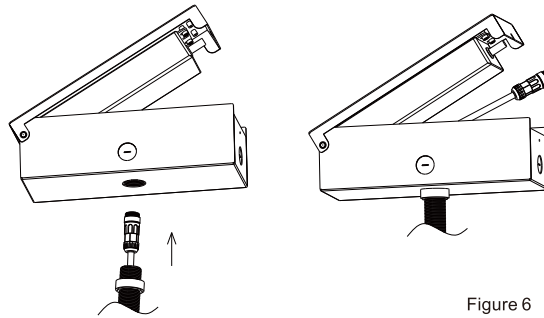


Figure 6

7. Connect the DC connector of led fixture with driver's DC connector. Remove the holes of the driver box if necessary. (Figure 7)

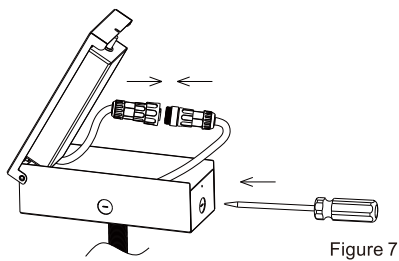


Figure 7

8. Connect the led fixture to local power with necessary connector protection measures. (Figure 8)

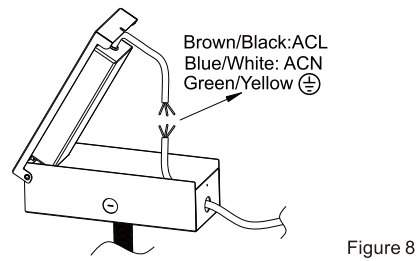


Figure 8

9. Finally, assemble the driver box. (Figure 9) (Figure 10)

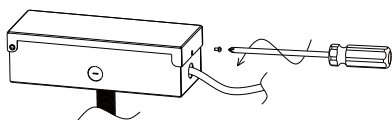


Figure 9

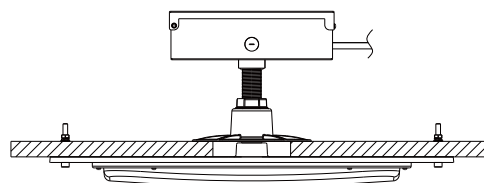


Figure 10