

# LED SPECTRA PANEL

## INSTALL INSTRUCTIONS



**PLEASE FIND A QUALIFIED ELECTRICIAN FOR INSTALLATION.** Please read the instructions before you install and use the luminaire.

### WARNING, CAUTIONS AND OPERATING INSTRUCTIONS

- To reduce the risk of death, personal injury or property damage from fire, electric shock, falling parts, cuts/abrasions, and other hazards read all warnings and instructions included.
- Installation, service and maintenance of luminaires should be performed by a qualified licensed electrician.
- If you are unsure about the installation or maintenance of the luminaire, consult a qualified licensed electrician and check your local electrical code.
- To prevent wiring damage or abrasion, do not expose wiring to edges of sheet metal or other sharp objects.
- Do not make or alter any open holes to the enclosure of wiring or electrical components during installation.
- Not use scouring powder, abrasive powder, oil or acid alkaline type detergent on luminaire.
- Do not spray air fresheners, disinfectants, cleaning solvents directly on light-emitting surface.
- Wire connectors should not come in contact with water.

### WARNING: RISK OF FIRE OR ELECTRICAL SHOCK

- Turn off electrical power at fuse or circuit breaker box before wiring to the power supply.
- Turn off the power when you perform any maintenance.
- Verify that supply voltage is correct by comparing it with the luminaire label information.
- Make all electrical and grounded connections in accordance with the National Electrical Code and any applicable local code requirements.
- All wiring connections should be capped with UL approved wire connectors.

### CAUTION: RISK OF INJURY

- Avoid prolonged eye contact with light while it is on.
- Account for small parts and destroy packing material, as these may be hazardous to children.
- Suitable for Damp locations, Type IC

**! WARNING DISCONNECT POWER BEFORE INSTALLING OR SERVICING.**

### RECESSED MOUNTING

1. Carefully unpack unit and properly inspect for defects before installing. Wear work gloves to prevent dirt and oil from being transferred to the luminaire. If cleaning is needed, use gloves and a dry cotton cloth. It is not recommended to use hazardous chemicals.
2. Open the cover of the junction box. (Fig. 1) Choose the knock hole in the junction box cover and open it.
3. Connect the power wire to the junction box. (Fig. 2) Use the line pressing board clamp on the power cord, then tighten the screw. Replace and secure the cover of the junction box using the screw.
4. Remove the ceiling plate, then arrange the wire. (Fig. 3)
5. Put LED panel light on the ceiling screens. (Fig. 4)
6. Check LED panel is mounted properly and securely. (Fig. 5)

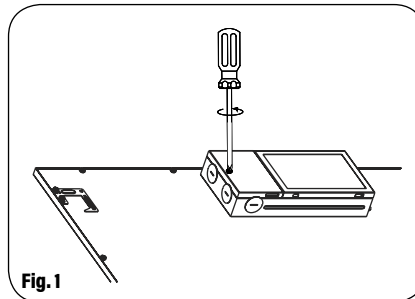


Fig. 1

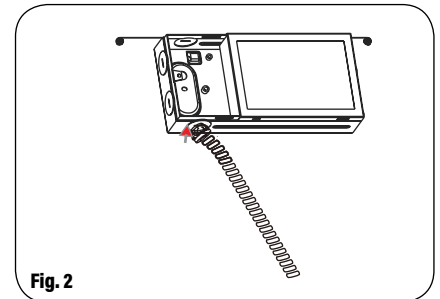


Fig. 2

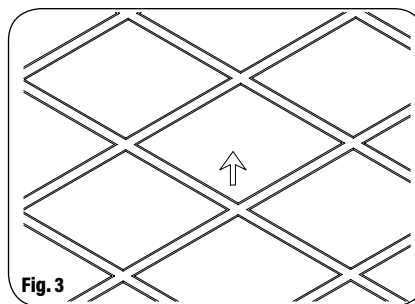


Fig. 3

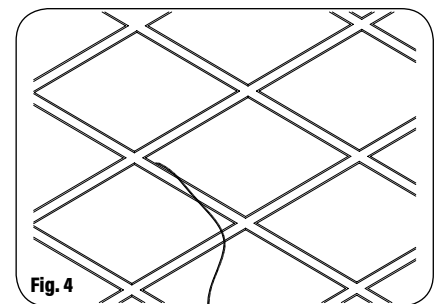


Fig. 4

### GENERAL WIRING

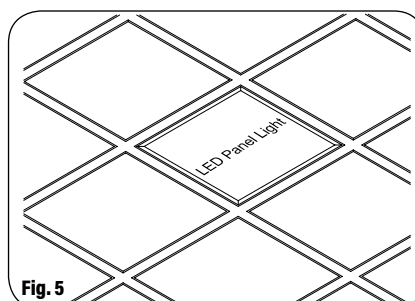
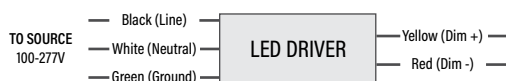
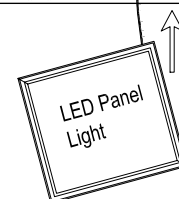


Fig. 5



# LED SPECTRA PANEL

## INSTALL INSTRUCTIONS

### CABLE SUSPENDED MOUNTING *(Kit Sold Separately)*

1. Replace the existing earthquake tabs with the provided brackets which are used for fixing adjustable cables. (Fig. 6)
2. Pull the end cap of cable A through the provided flange and make sure the end cap is positioned in the flange. Attach the flanges to the ceiling by the self-tapping screws. (Fig. 7)
3. Insert the end of cable A into the hasp attachment on cable B then adjust cable A to the desired height and adjust cable B to the desired angle. (Fig. 7)
4. Hook the luminaire up to the hooks attached to the ends of cable B and make final adjustments. (Fig. 7)
5. Connect LED driver to AC main power. (Fig. 5)

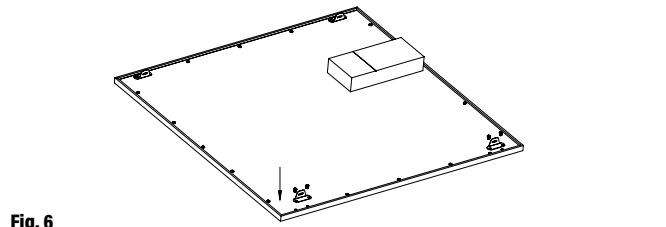


Fig. 6

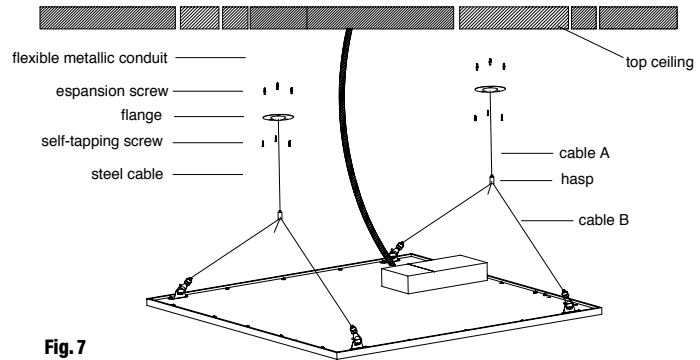


Fig. 7

### SURFACE MOUNTING KIT *(Kit Sold Separately)*

1. Assemble the mounting frame with the screws and the connection plate. (Fig. 8)
2. Mount the frame on the ceiling with screws. (Fig. 9) Make sure that the wire is long enough for Step 4.
3. After mounting the frame onto ceiling, remove one side of the mounting frame. (Fig. 10)
4. Connect the wires from main to the LED driver, then slide in the LED panel unit into the frame. (Fig. 11)
5. Replace the side frame back on.

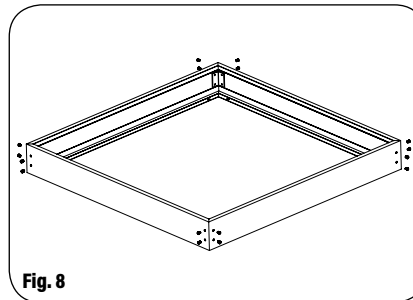


Fig. 8

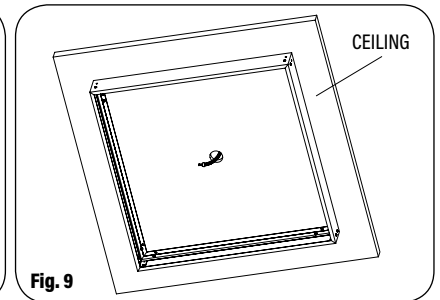


Fig. 9

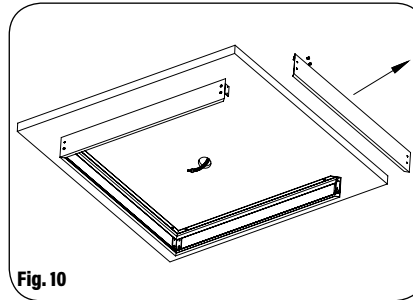


Fig. 10

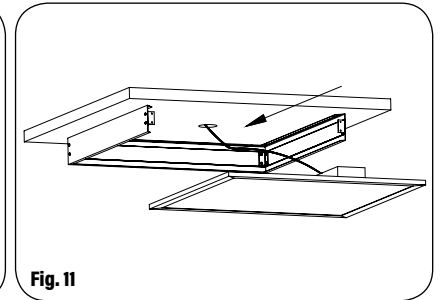


Fig. 11

### WIRING OF MULTIPLE PANELS

Follow dimmer capacity guidelines; do not exceed dimmer wattage capacity.

